







A	x29
	
M6*35mm	


B	x29
	
φ15*10mm	


C	x14
	
M6*30mm	


D	x17
	
M4*35mm	


E	x36
	
M3.5*12mm	


F	x4
	

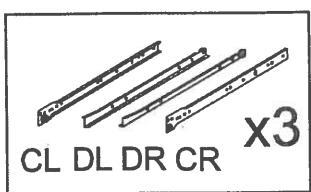
G	x6
	
M3*16mm	



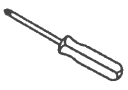
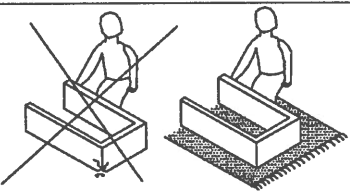
H	x2
	

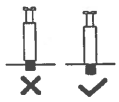
I	x2
	

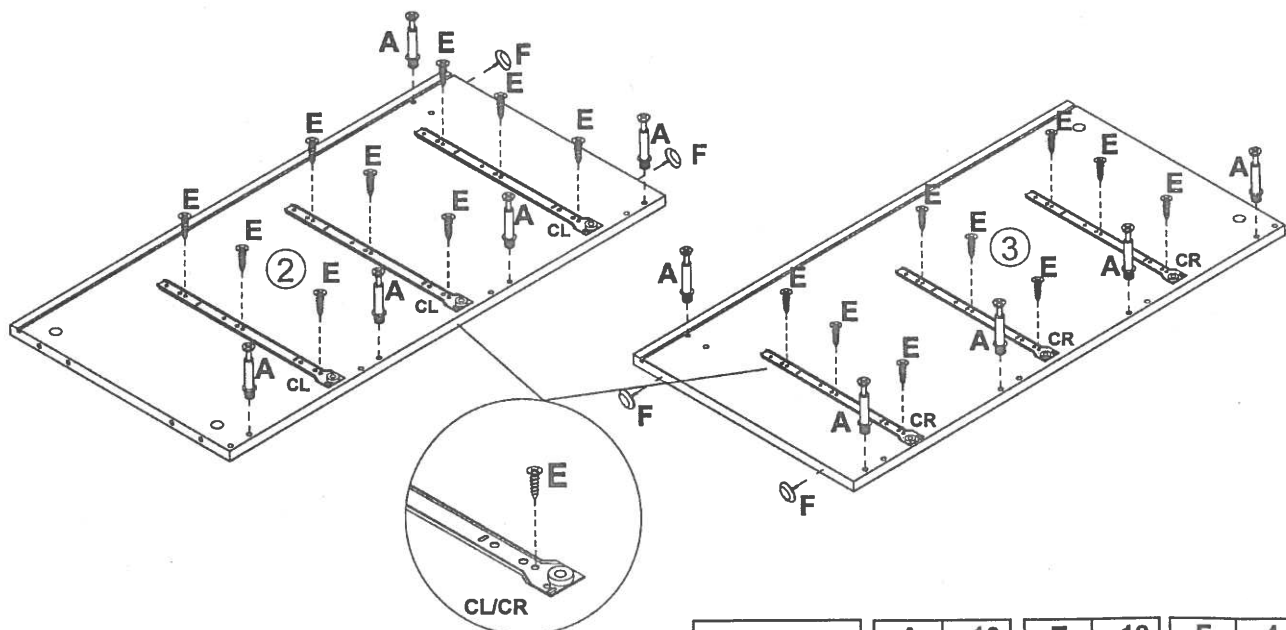
J	x2
	
M4*12mm	


K	x6
	





 45 MIN		 NOT PROVIDED	
-----------------------------------------------------------------------------------------------------	------------------------------------------------------------------------------------	-----------------------------------------------------------------------------------------------------------	-------------------------------------------------------------------------------------


1 



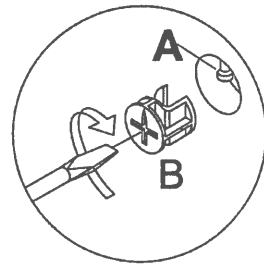
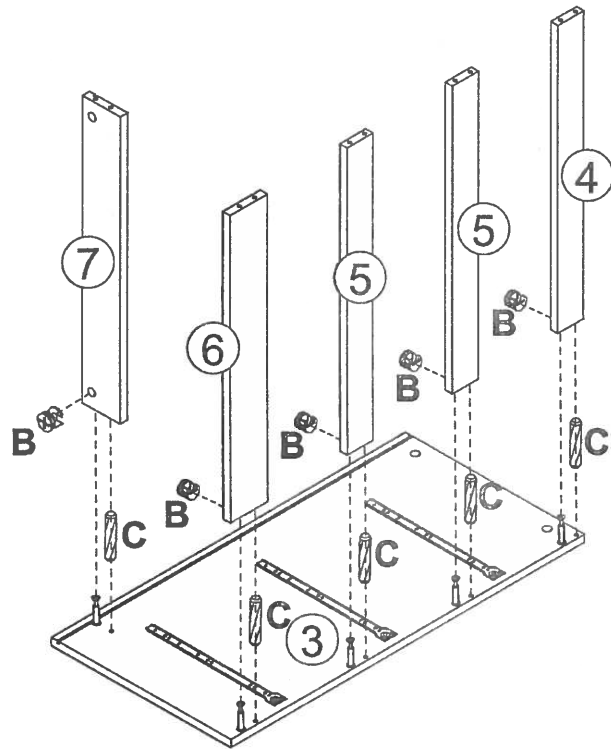
	x3
CL CR	


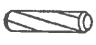
A	x10
	

E	x18
	

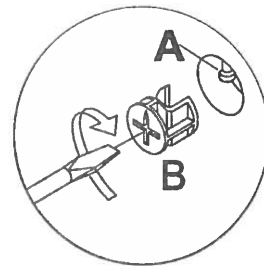
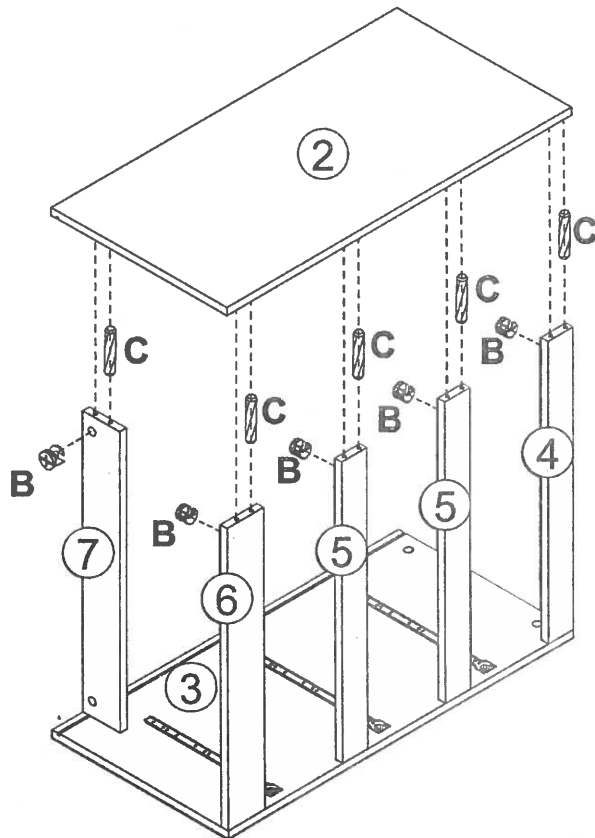
F	x4
	


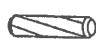
2



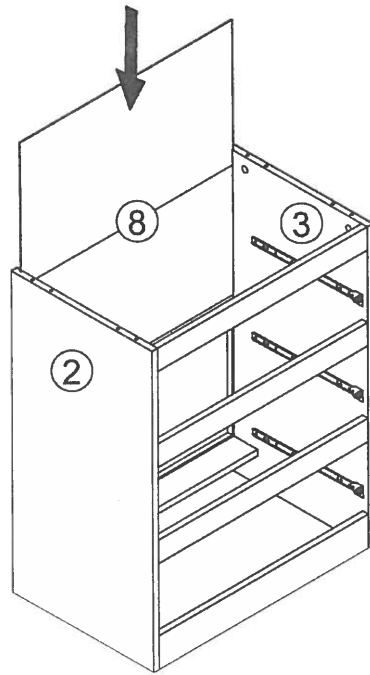
B	x5	C	x5
			

3

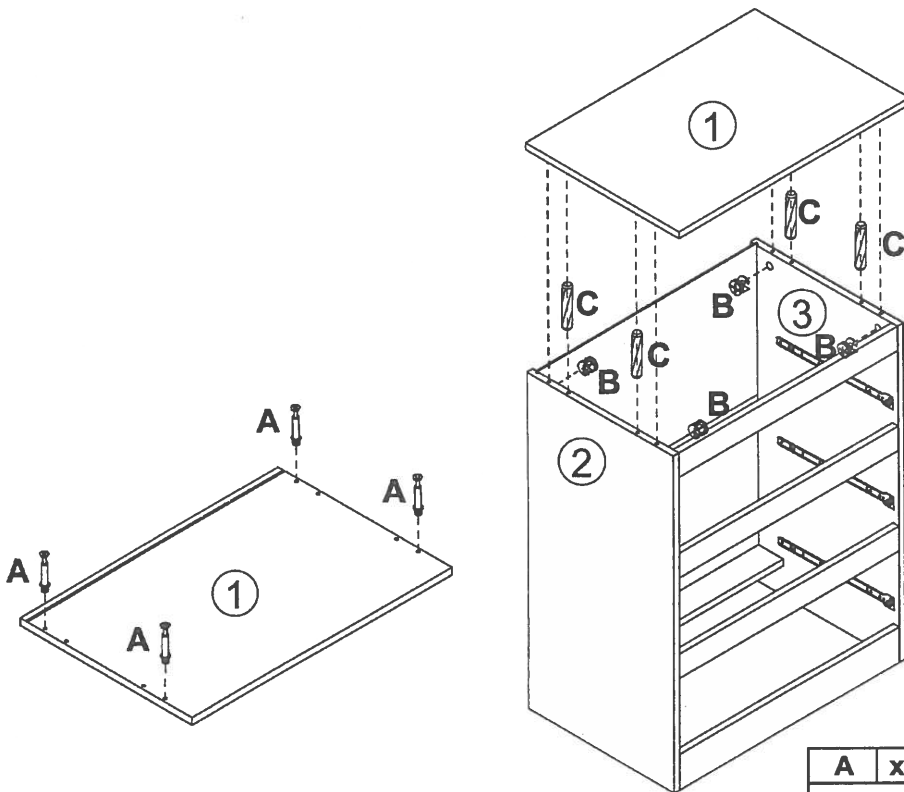
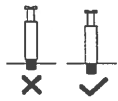


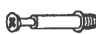


B	x5	C	x5
			

4

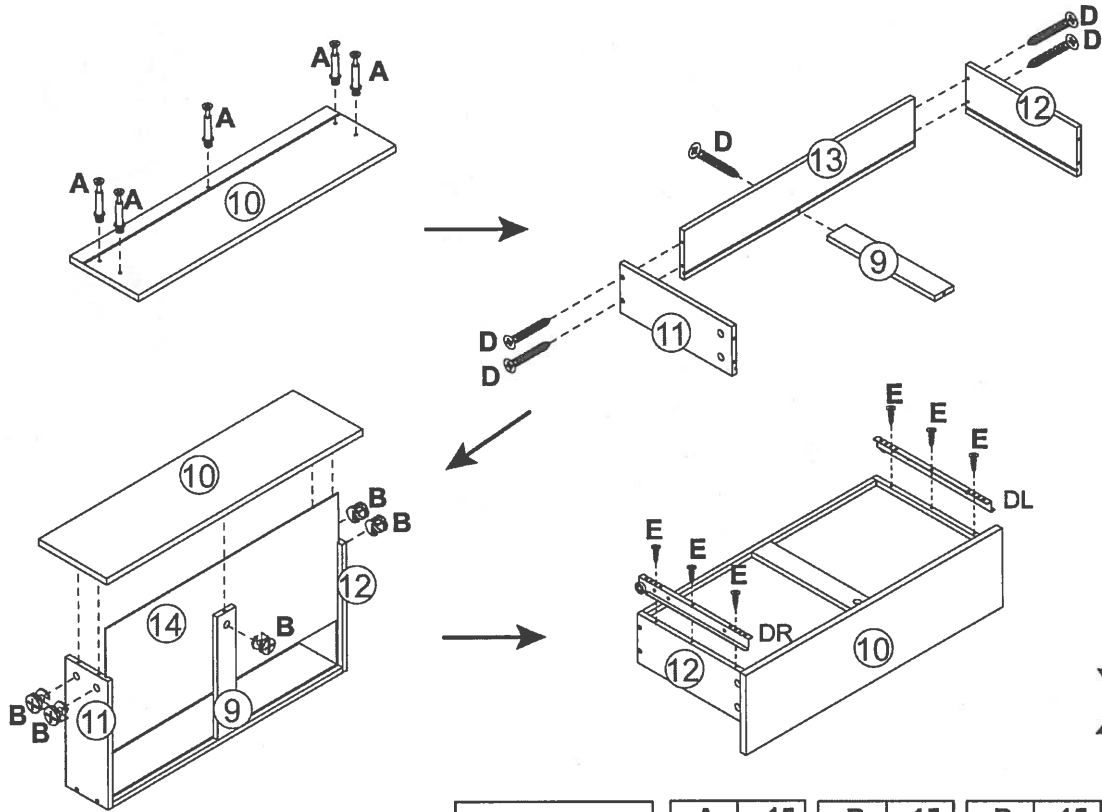


5








A	x4	B	x4	C	x4
					

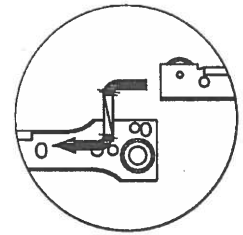
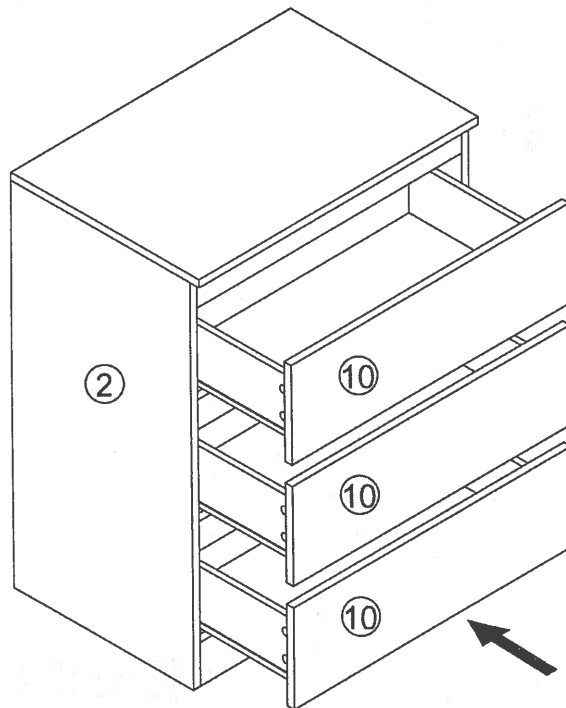
6



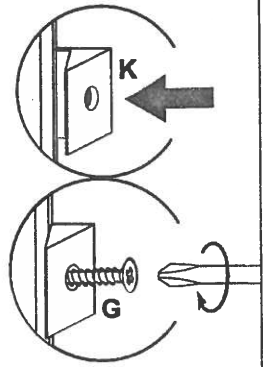
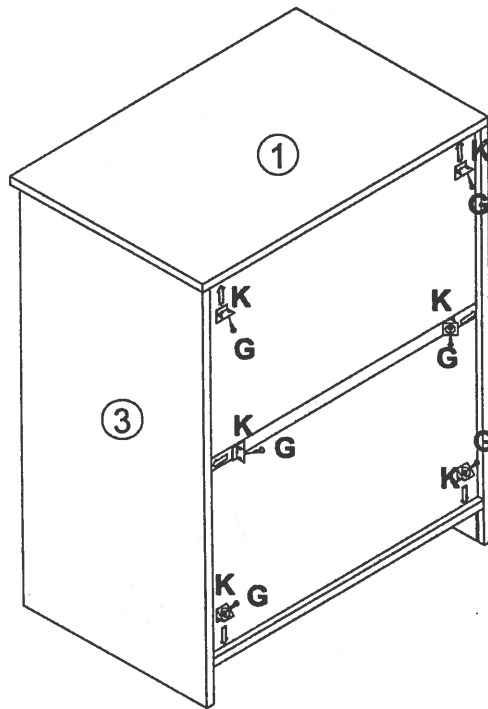
x3



	A x15	B x15	D x15	E x18
DL DR x3				

7

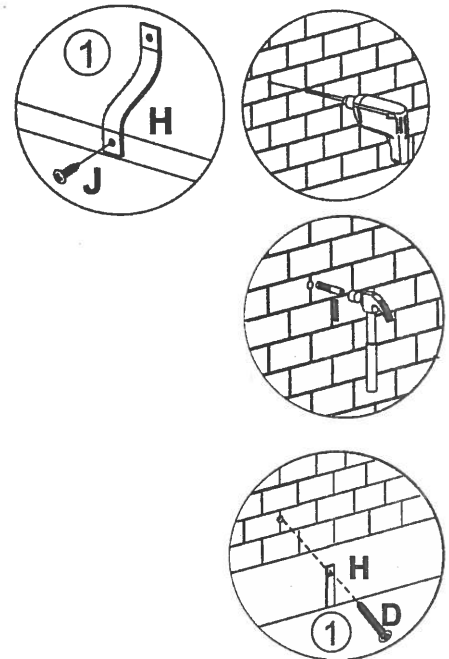
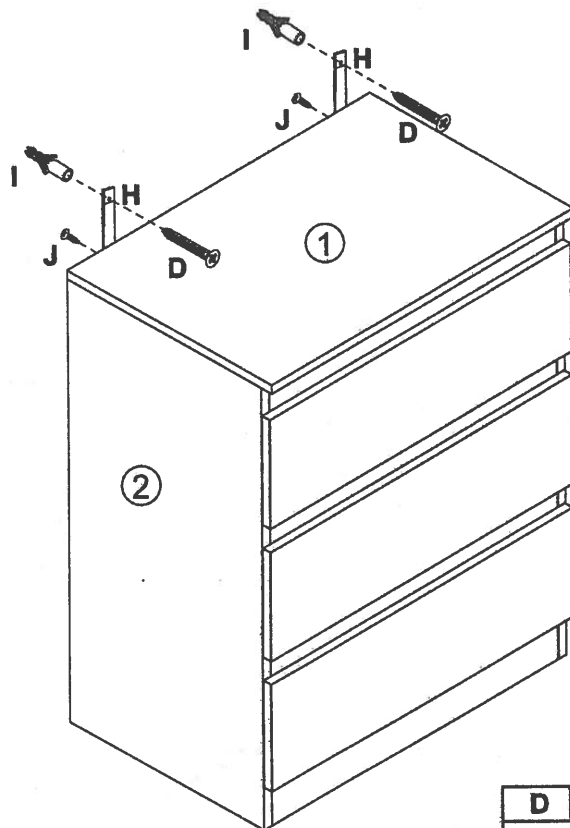


8



K x6	G x6
	

9



D x2	J x2	H x2	I x2
