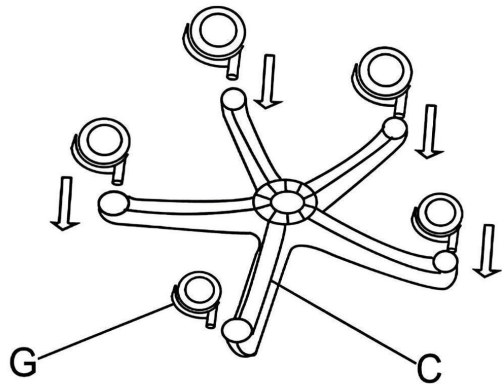
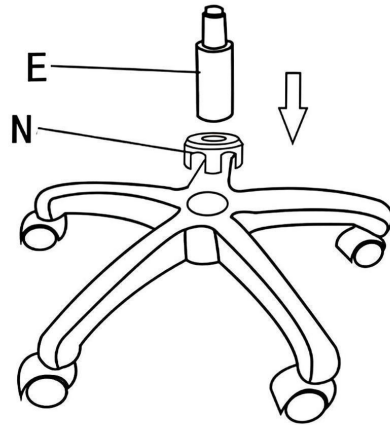


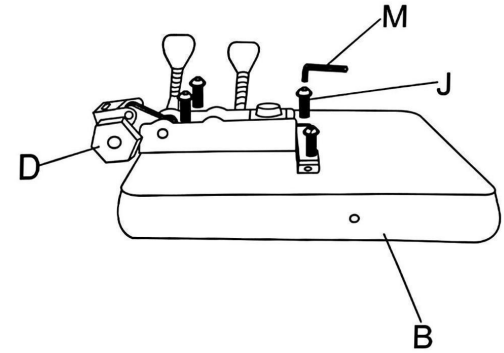
STEP1



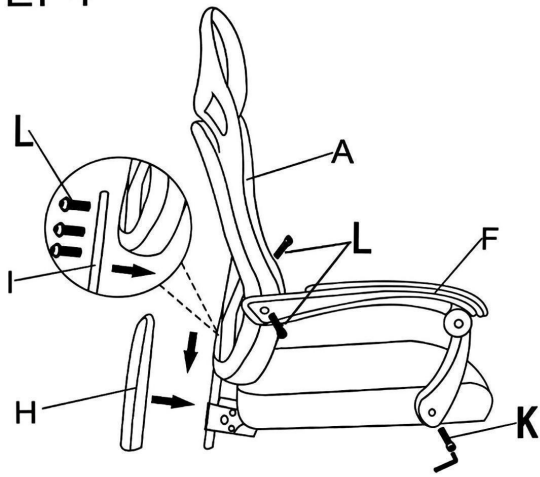
STEP2



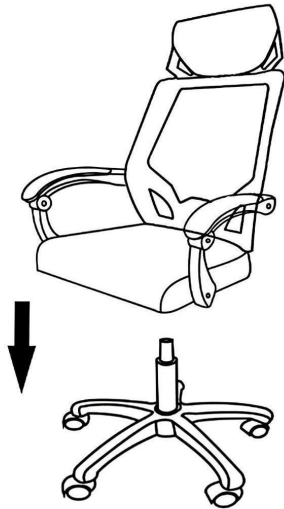
STEP3



STEP4



STEP5



<p>A</p> <p>X1</p>	<p>B</p> <p>X1</p>	<p>C</p> <p>X1</p>	<p>D</p> <p>X1</p>	<p>E</p> <p>X1</p>	<p>F</p> <p>X2</p>	<p>G</p> <p>X5</p>	<p>H</p> <p>X1</p>	<p>I</p> <p>X1</p>	<p>J</p> <p>6*20 X4</p>	<p>K</p> <p>8*35 X2</p>	<p>L</p> <p>8*30 X5</p>	<p>M</p> <p>X1</p>	<p>N</p> <p>X1</p>
--------------------	--------------------	--------------------	--------------------	--------------------	--------------------	--------------------	--------------------	--------------------	-------------------------	-------------------------	-------------------------	--------------------	--------------------