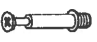







A	x20
	
M6*35mm	

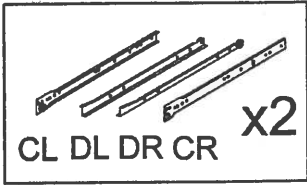
B	x20
	
ø15*10mm	



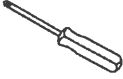
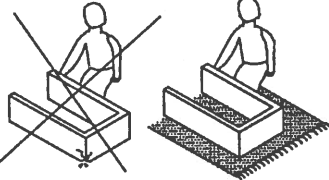
C	x16
	
M6*30mm	

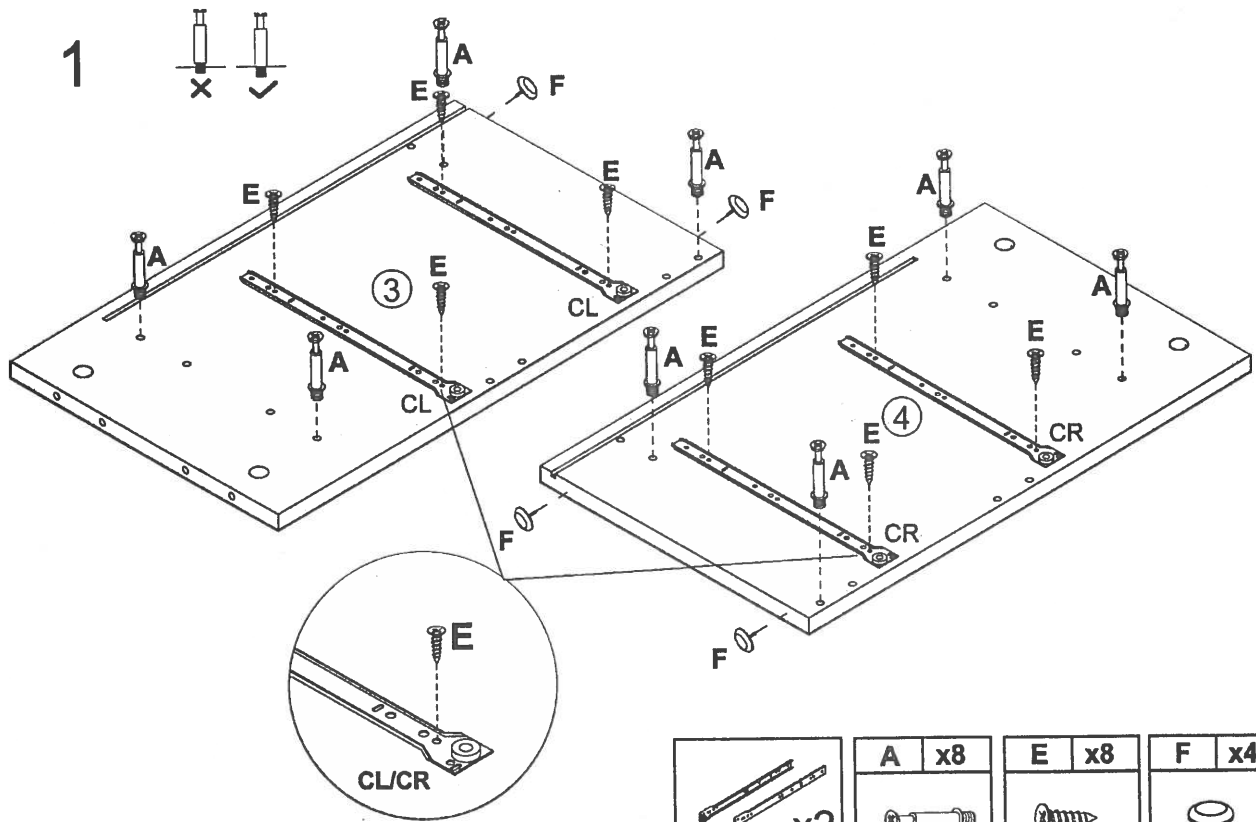
D	x14
	
M4*35mm	


E	x16
	
M3.5*12mm	

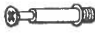
F	x4
	





 30 MIN		 NOT PROVIDED	
--	---	---	---



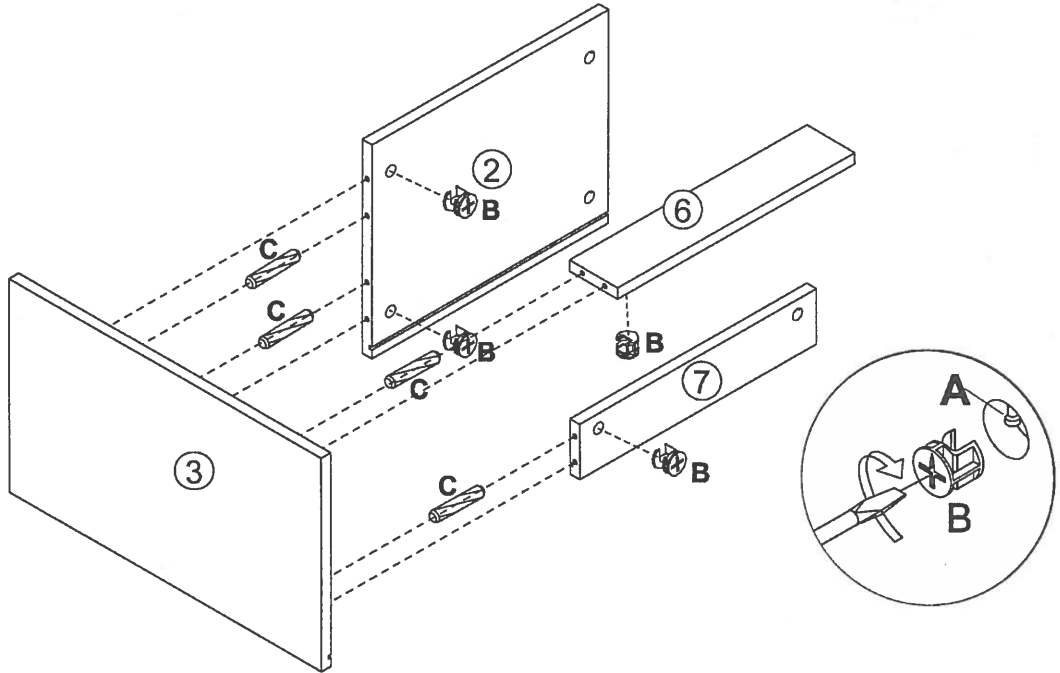
	x2
CL CR	


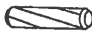
A	x8
	

E	x8
	

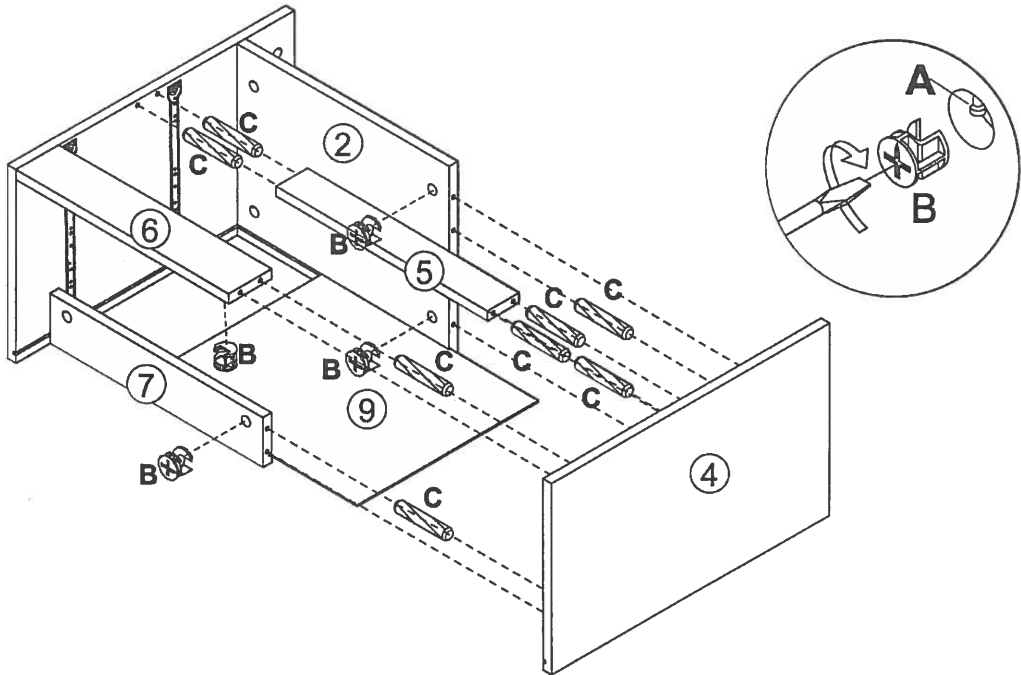
F	x4
	



2



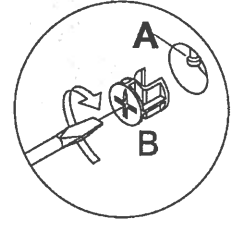
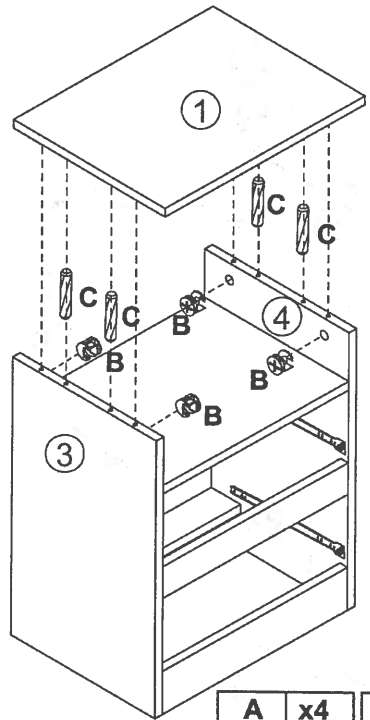
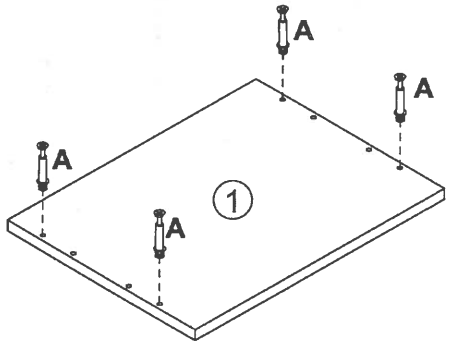
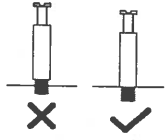
B	x4	C	x4
			

3



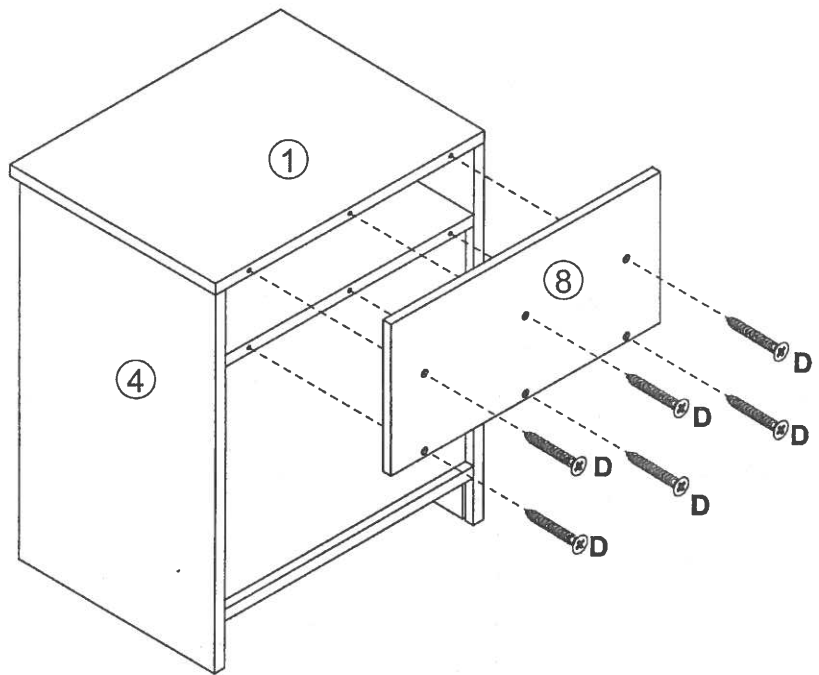
B	x4	C	x8
			

4



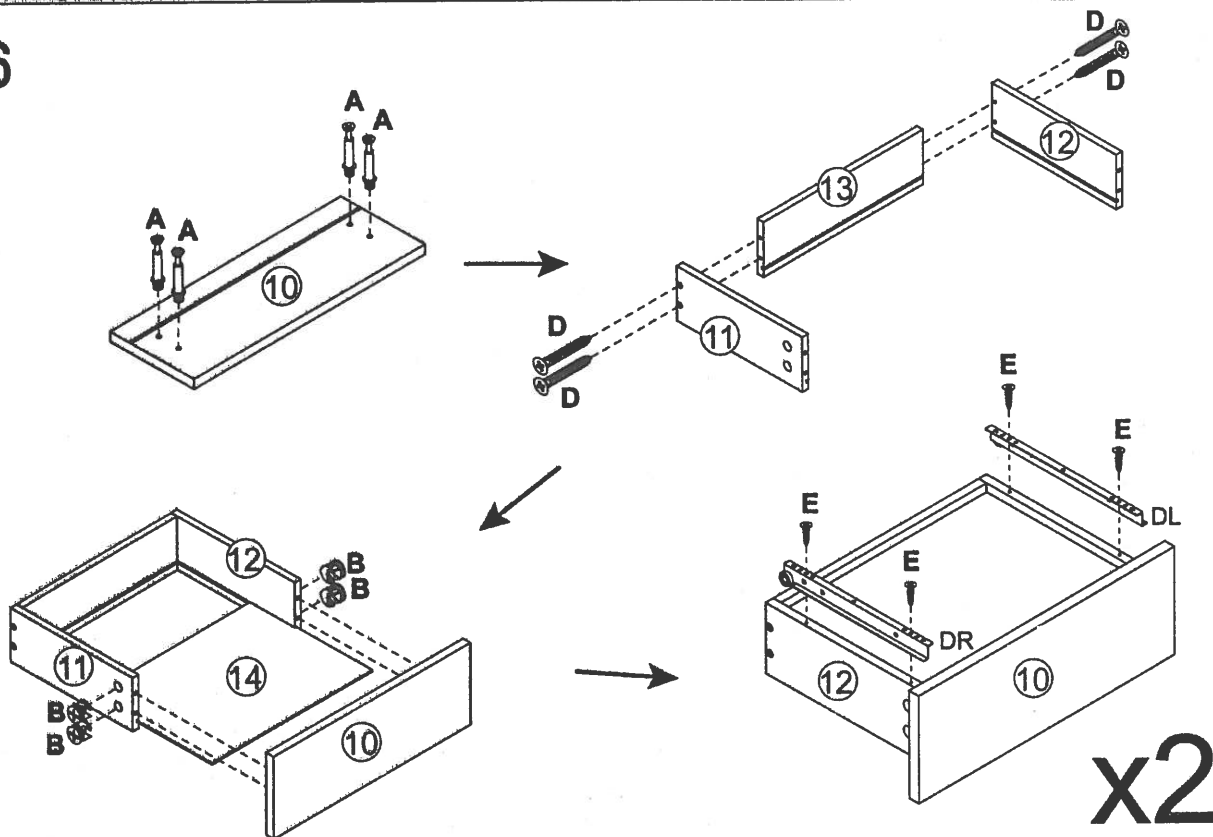
A	x4	B	x4	C	x4






5



D	x6

6



 DL DR x2	 A x8	 B x8	 D x8	 E x8
--	--	--	--	--

7

