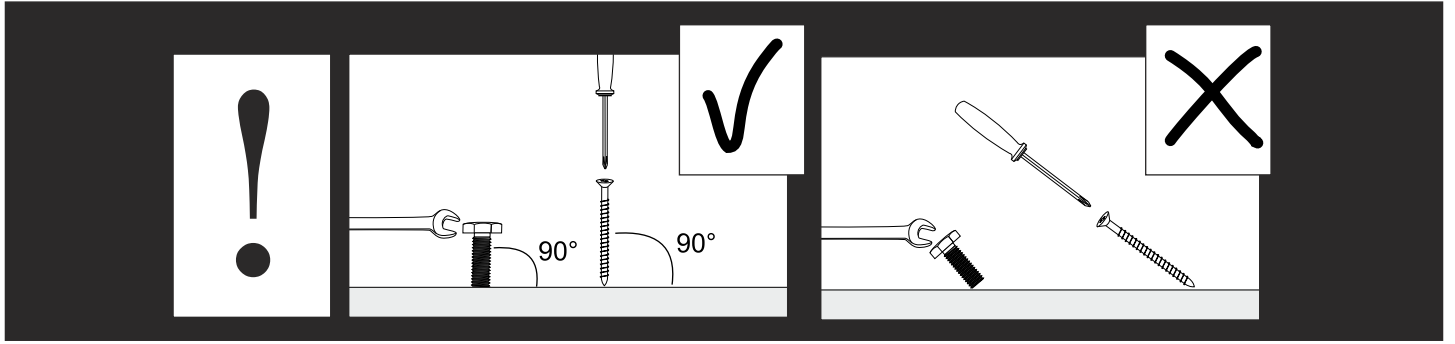
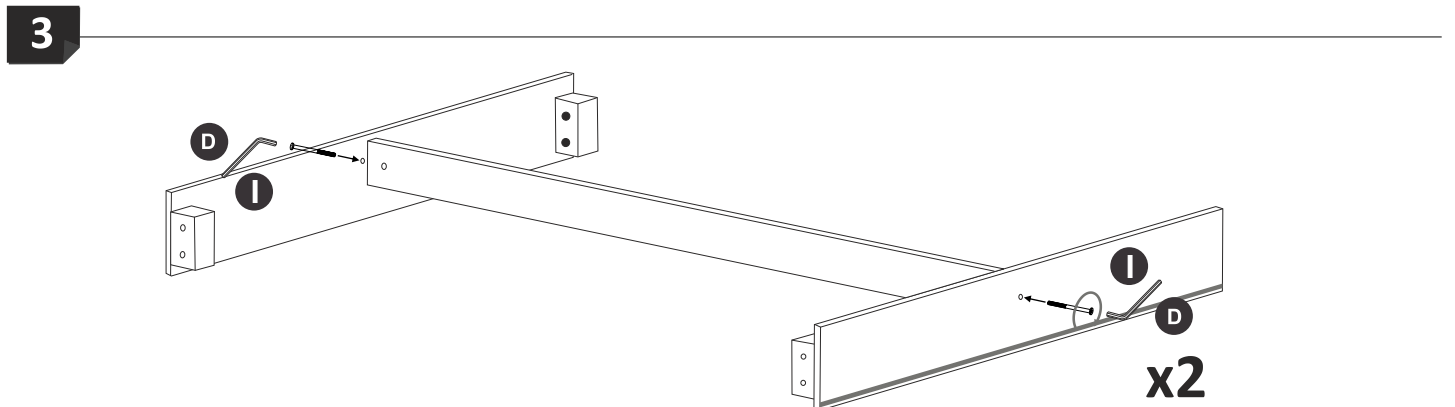
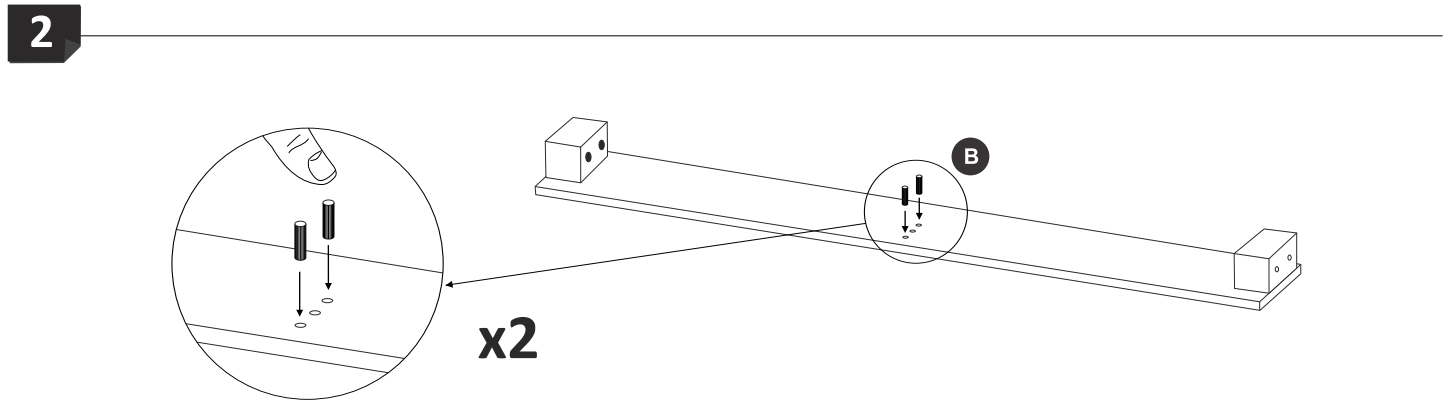
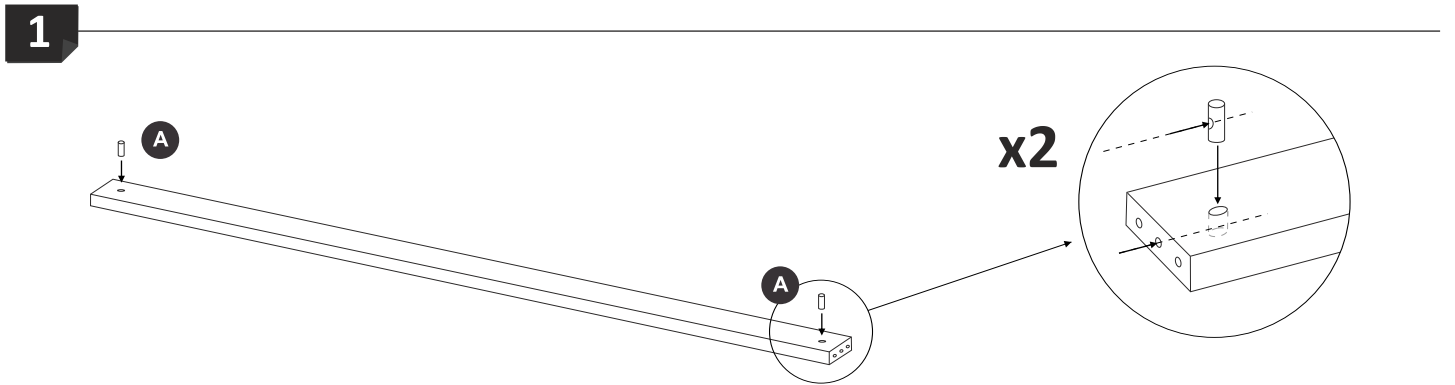


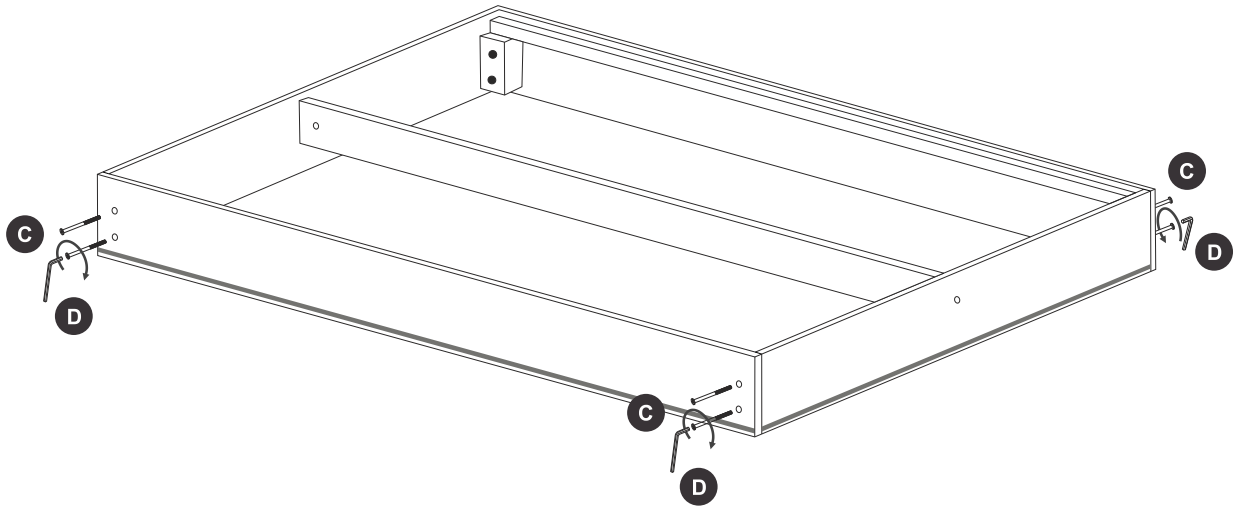
# ASSEMBLY INSTRUCTION FOR CONTINENTAL BED



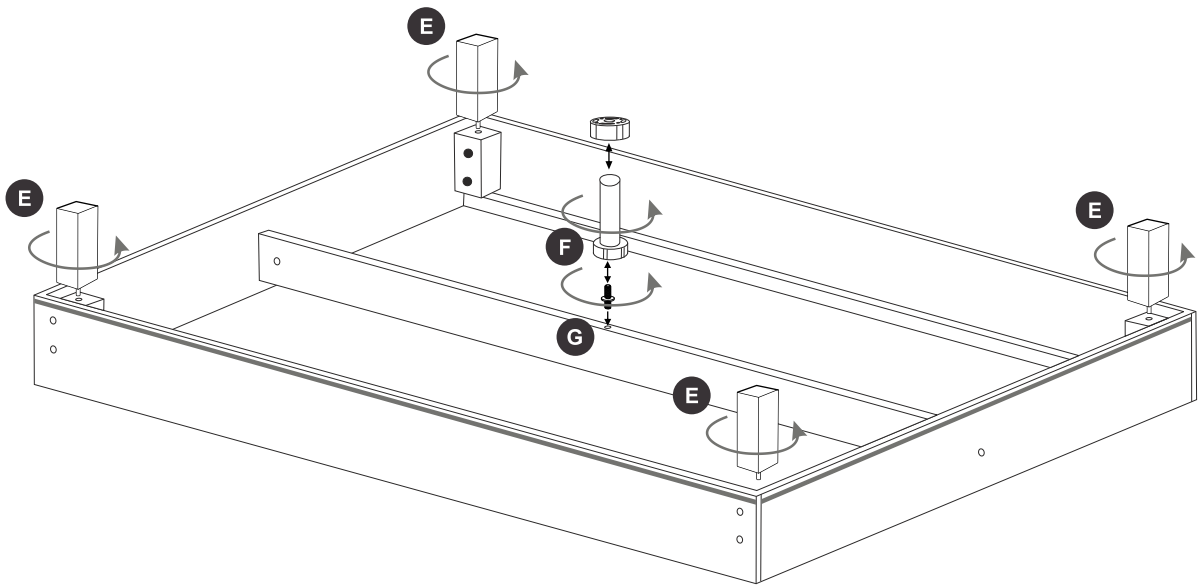
<b>A</b>  x2	<b>B</b>  x4	<b>C</b>  M6-90 x8	<b>D</b>  x1	<b>E</b>  OR x4	<b>F</b>  x1	<b>G</b>  x1	<b>H</b>  3,5-35 x6
<b>I</b>  M6-60 x2							



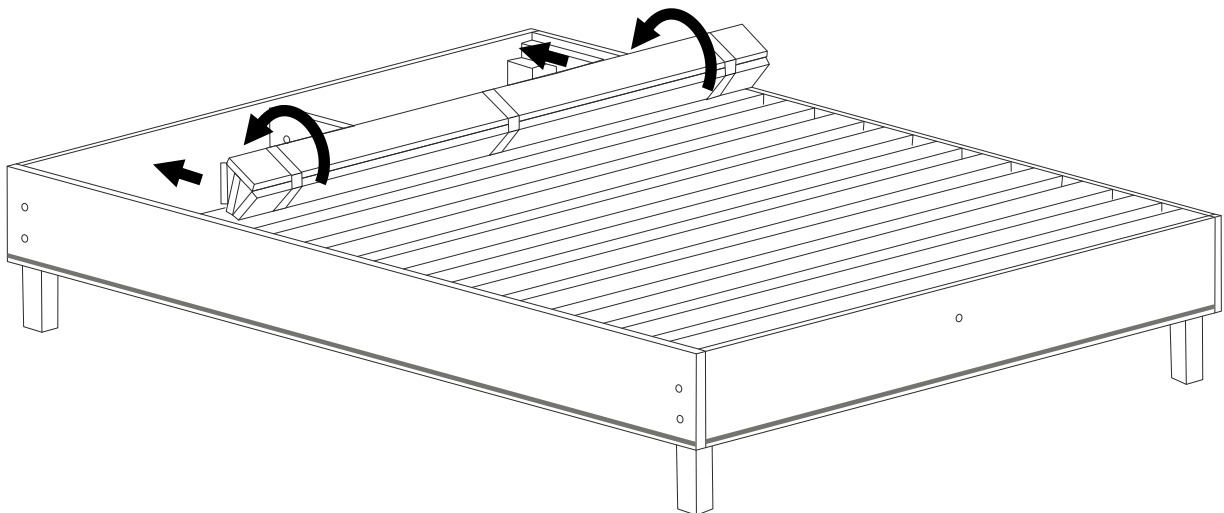
4



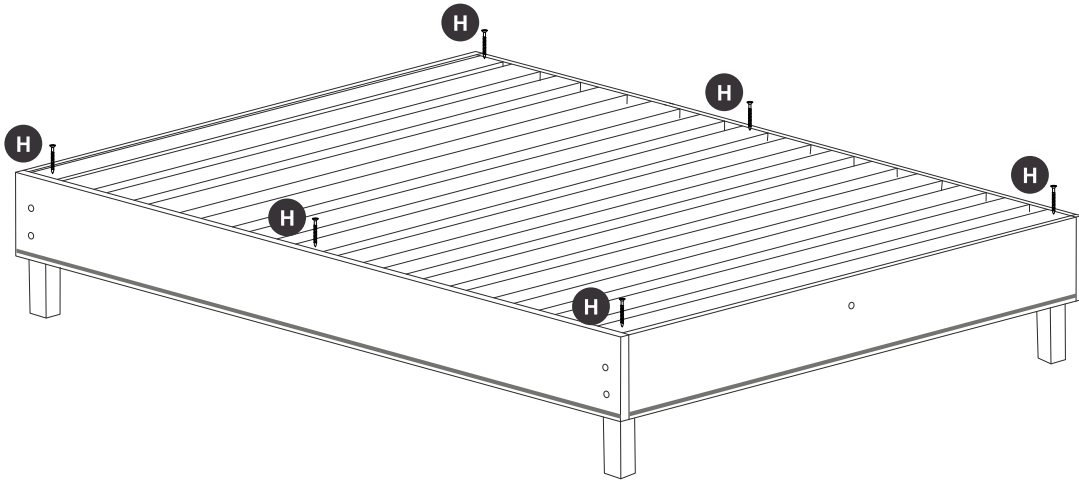
5



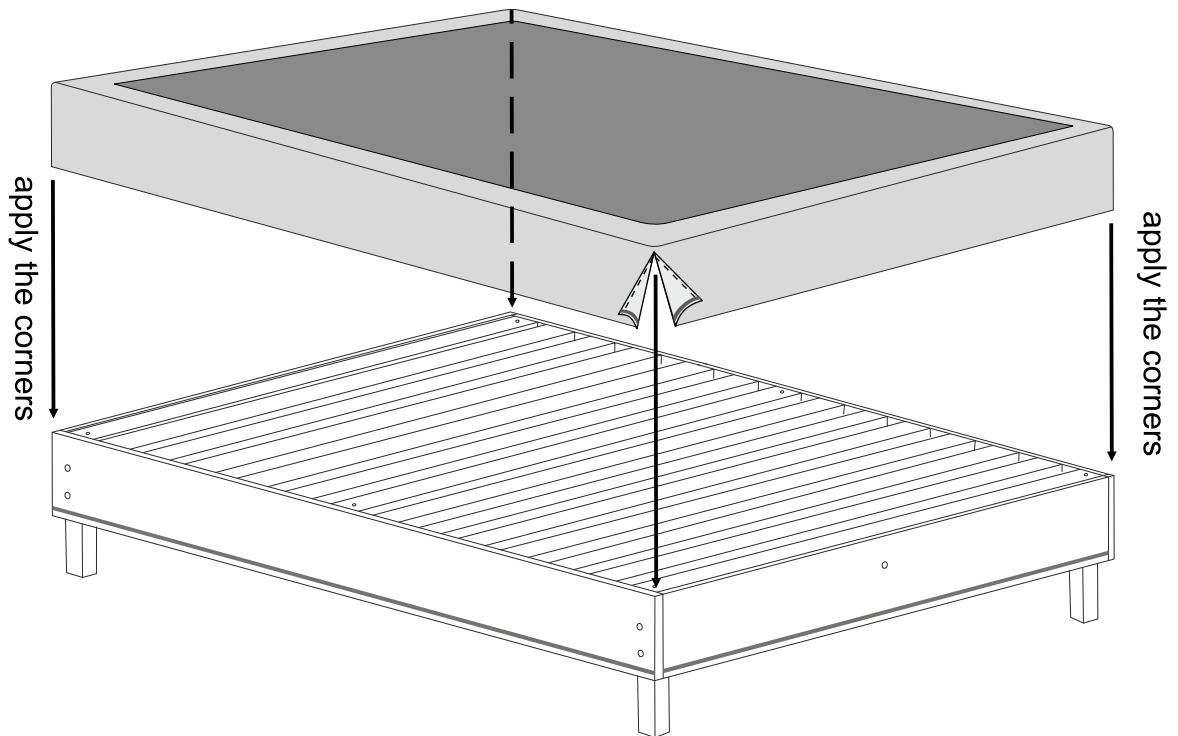
6



6



7



8

