

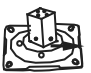




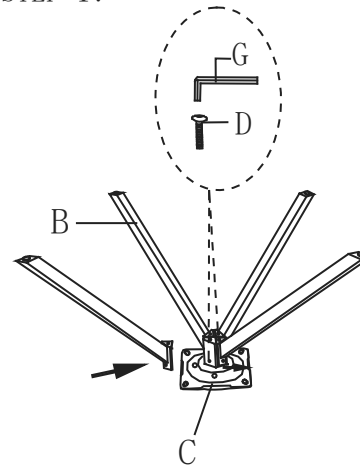


# STAR CHAIR LEG ASSEMBLY INSTRUCTION

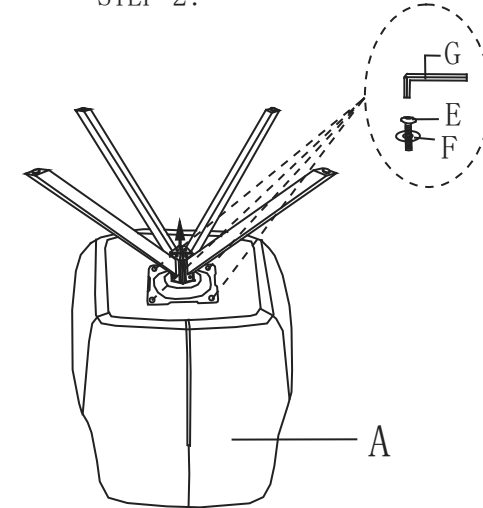


ITEM	PART	NAME	QUANTITY
(A)		SEAT	1
(B)		METAL LEG	4
(C)		PLATE	1
(D)		BOLT	8
(E)		LONG BOLT	4
(F)		WASHER	4
(G)		ALLEN KEY	1

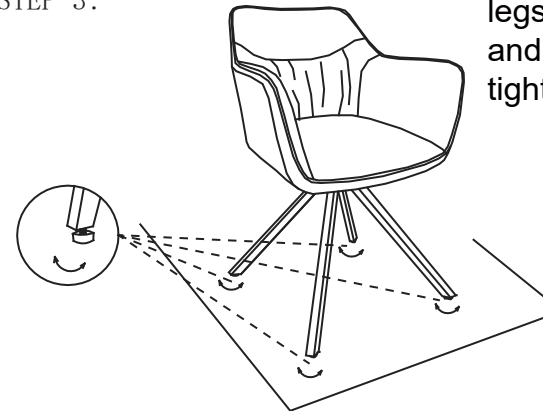
STEP 1:



STEP 2:



STEP 3:



Please tighten 80%, turn legs around against the floor and check balance before tightening 100%.

NOTE:

PLEASE PUT THE CHAIR ONTO A SOFT AND CLEAN SURFACE FOR ASSEMBLY.