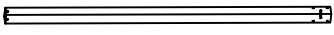



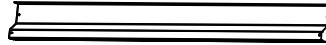











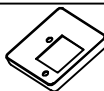
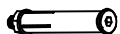
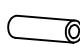
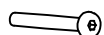


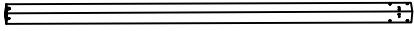
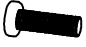



195615

ASGÅRD PAVILJONKI 3X4M ALUMIINI/TERÄS

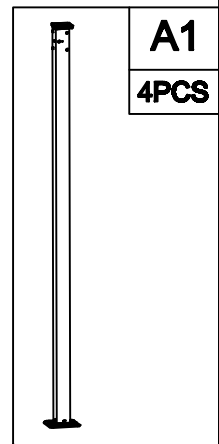
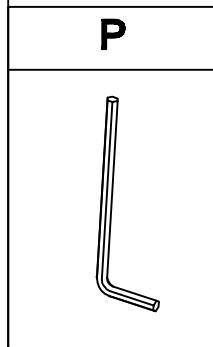
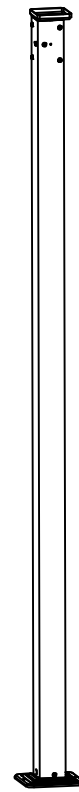
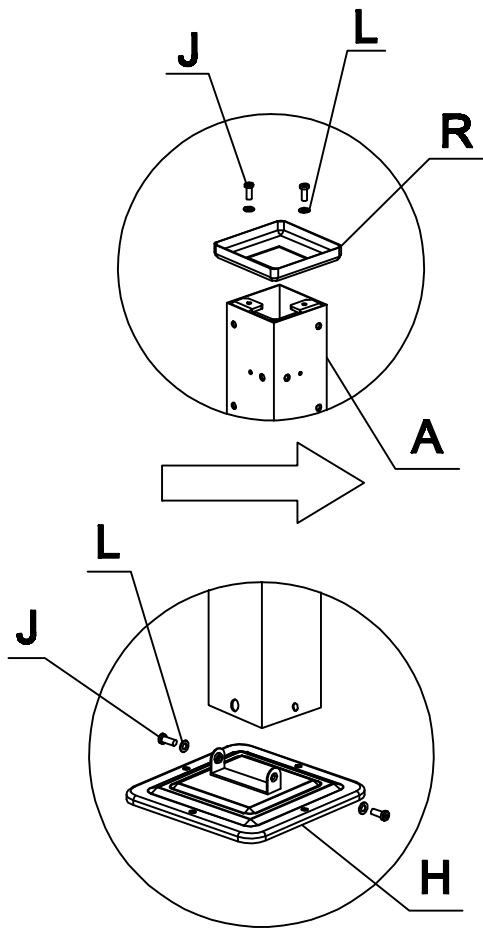
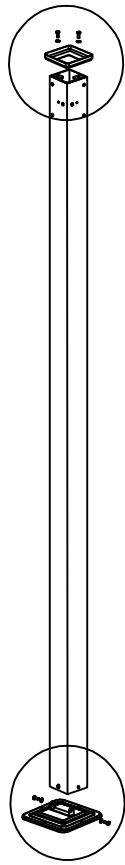



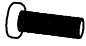
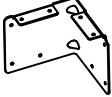

Parts List

| NO. | Qty | Picture |
|-----|-----|--|
| A | 4 |  |
| B | 1 |  |
| C | 1 |  |
| D | 2 |  |
| E | 24 |  |
| F | 4 |  |
| G | 4 |  |
| H | 4 |  |
| J | 88 |  M6X15 |
| K | 96 |  M6X8 |
| L | 184 |  |
| M | 1 |  |
| N | 1 |  |
| O | 1 |  M4X15 |
| P | 1 |  |
| Q | 1 |  |
| R | 4 |  |
| S | 16 |  M6*60 |
| T | 1 |  Ø12*Ø6*25 |
| U | 1 |  M6*35 |

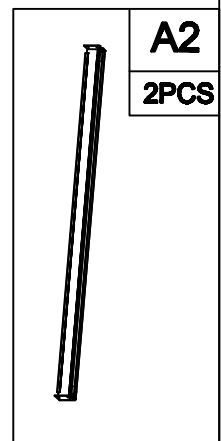
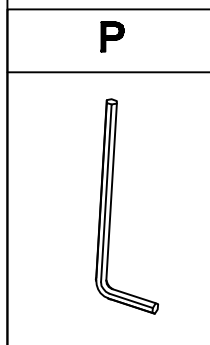
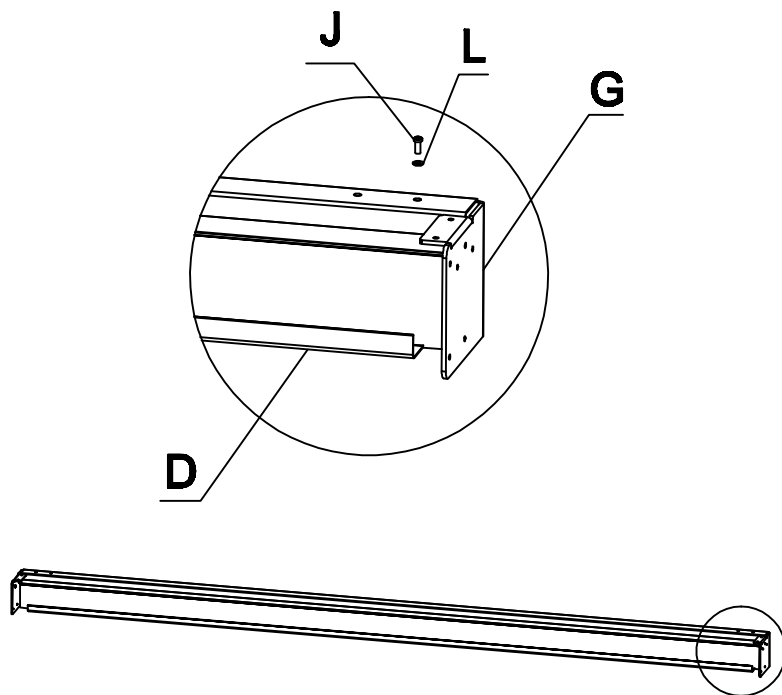
| No. | Qty | Picture | No. | Qty | Picture |
|-----|-----|---|-----|-----|---|
| A | 4 |  | J | 16 |  |
| H | 4 |  | L | 16 |  |
| R | 4 |  | | | |




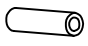
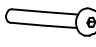
Step1



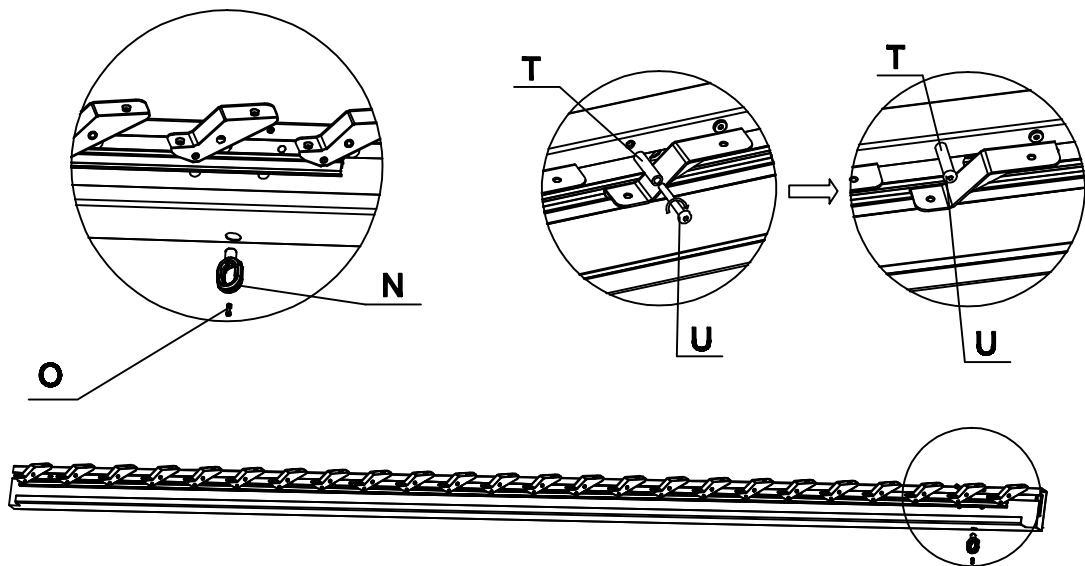
| No. | Qty | Picture | No. | Qty | Picture |
|-----|-----|---|-----|-----|---|
| D | 2 |  | J | 4 |  |
| G | 4 |  | L | 4 |  |

Step2




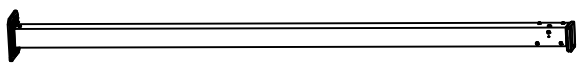



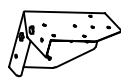
| No. | Qty | Picture |
|-----|-----|--|
| B | 1 |  |
| N | 1 |  |
| O | 1 |  |
| T | 1 |  |
| U | 1 |  |

Step3

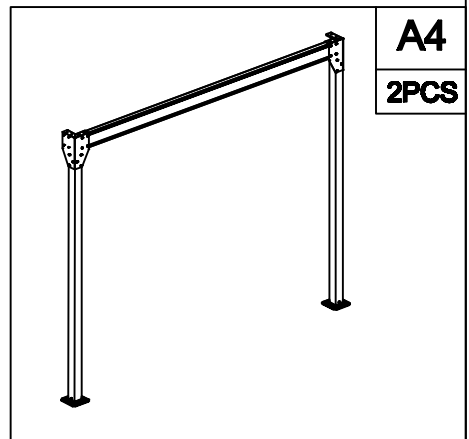
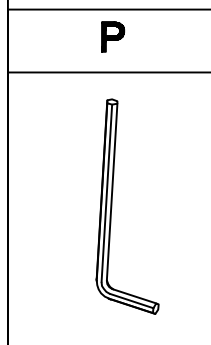
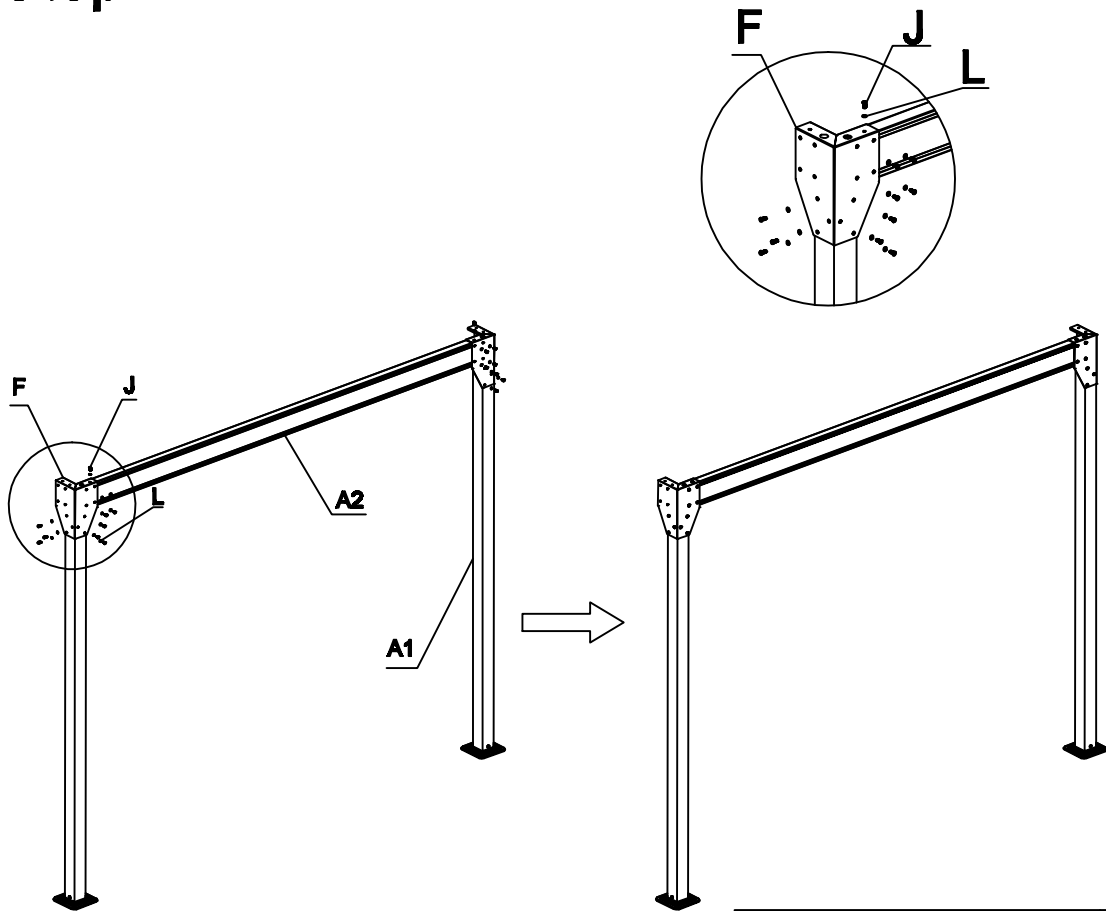



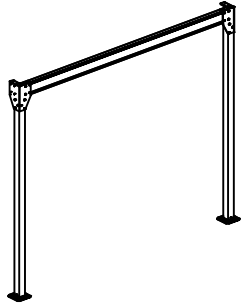



| |
|---|
| Q |
| L |

| |
|--|
| A3 |
| 1PC |
|  |

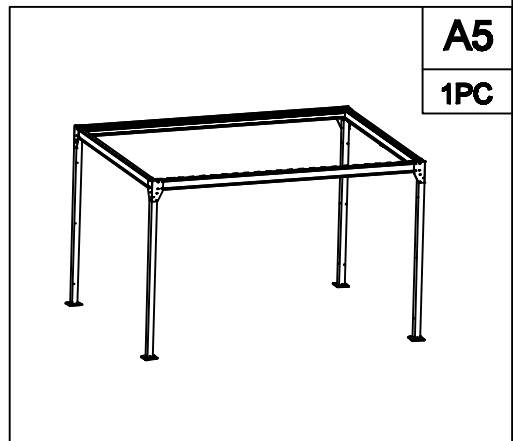
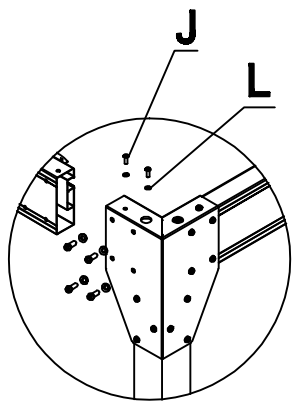
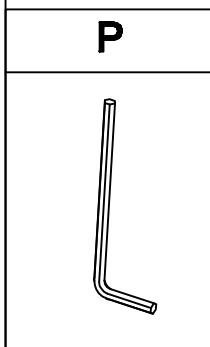
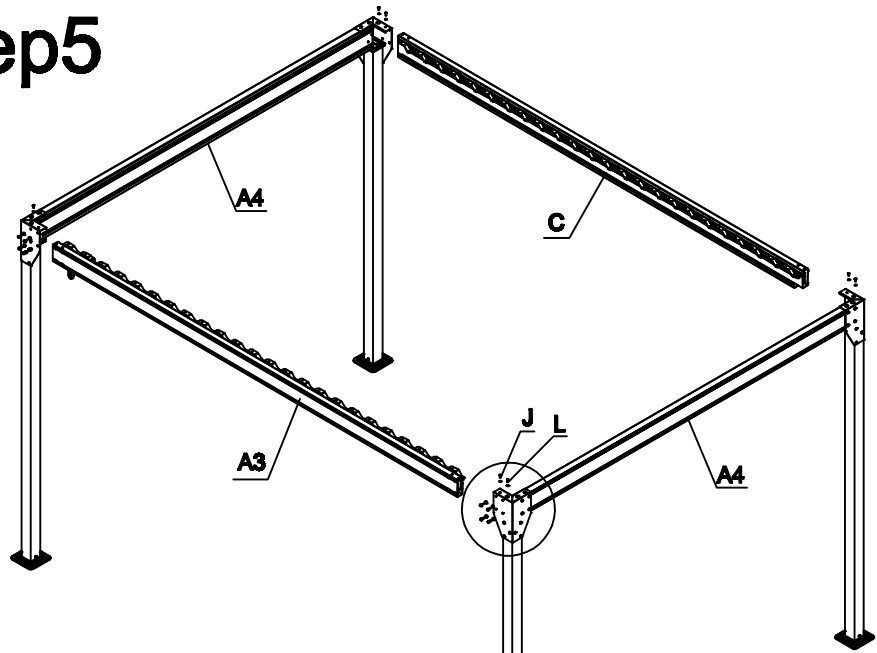
| No. | Qty | Picture | No. | Qty | Picture |
|-----|-----|---|-----|-----|---|
| A1 | 4 |  | J | 44 |  |
| A2 | 2 |  | L | 44 |  |
| F | 4 |  | | | |


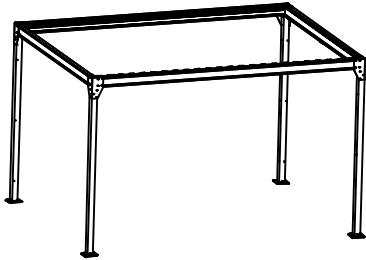

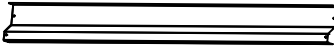
Step4



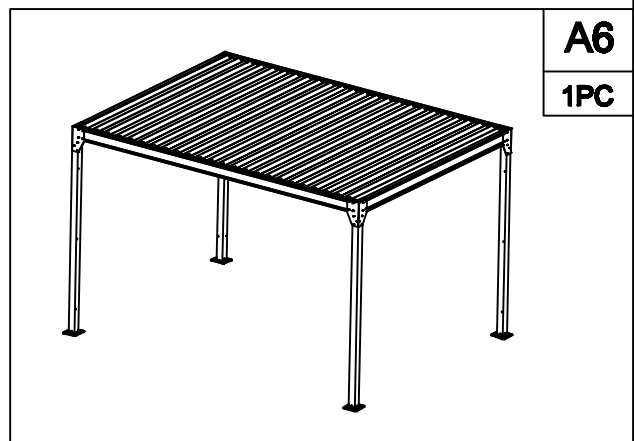
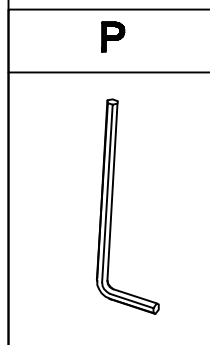
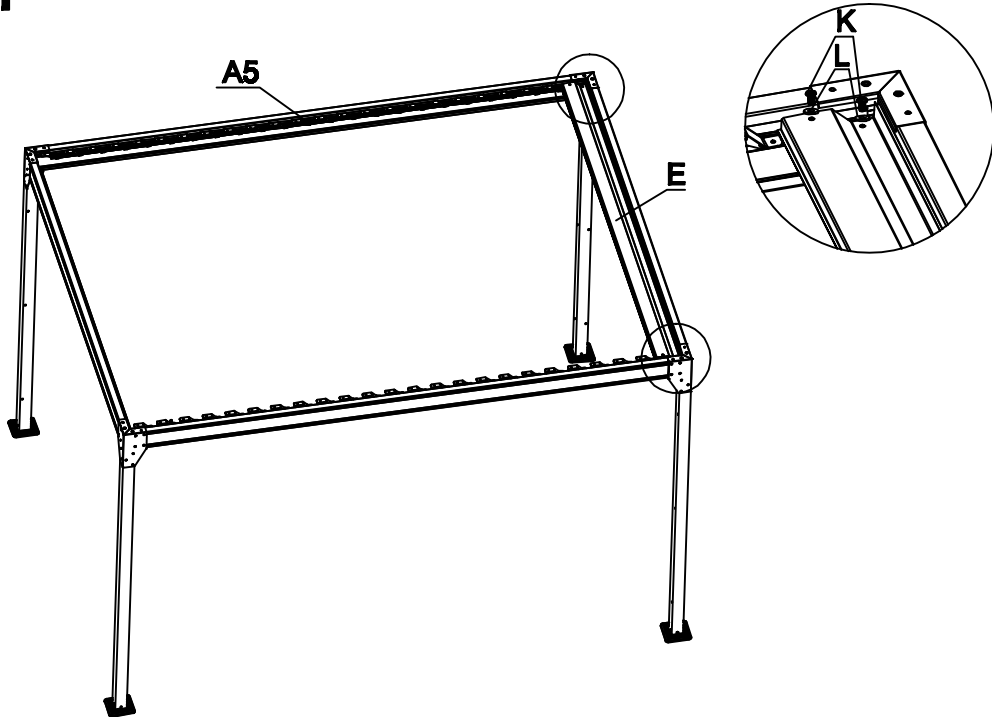
| No. | Qty | Picture | No. | Qty | Picture |
|-----|-----|--|-----|-----|---|
| J | 24 |  | A4 | 2 |  |
| L | 24 |  | | | |
| C | 1 |  | | | |
| A3 | 1 |  | | | |


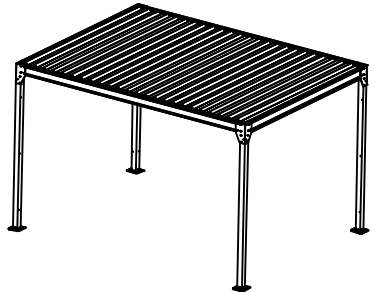
Step5



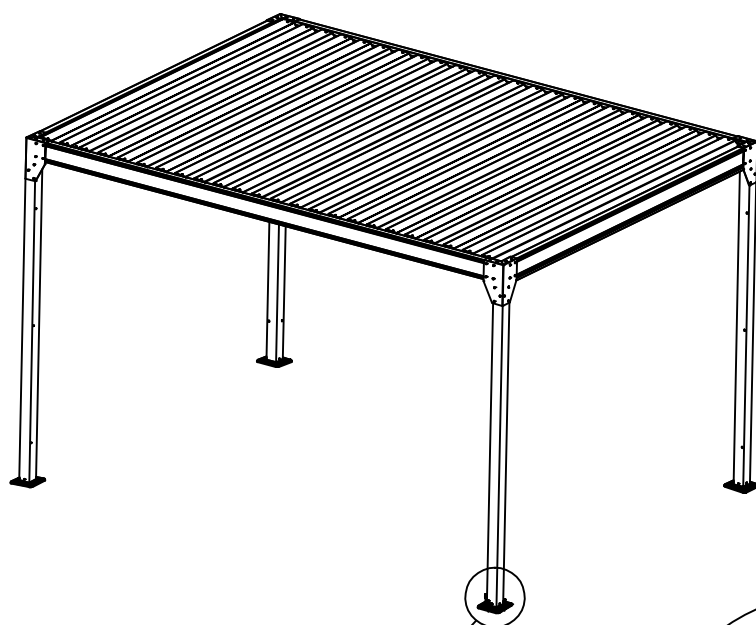
| No. | Qty | Picture | No. | Qty | Picture |
|-----|-----|--|-----|-----|---|
| K | 96 |  | A5 | 1 |  |
| L | 96 |  | | | |
| E | 24 |  | | | |

Step6

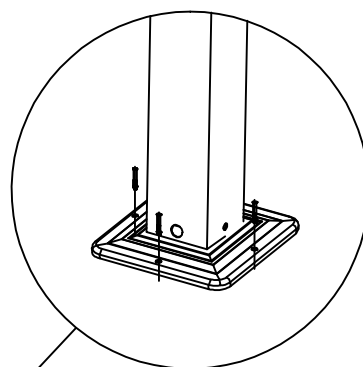


| No. | Qty | Picture | No. | Qty | Picture |
|-----|-----|---|-----|-----|--|
| S | 16 |  | A5 | 1 |  |

Step 7



S



S

