
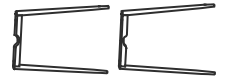







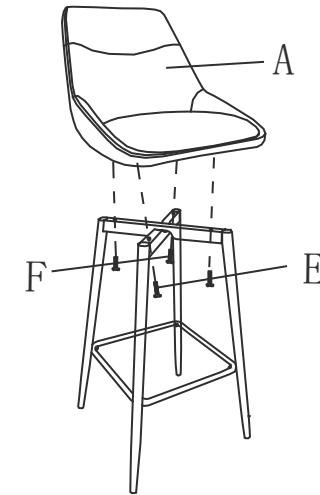
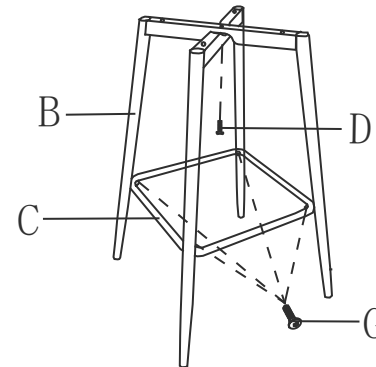


# ASSEMBLY INSTRUCTION

ITEM	PART	NAME	QUANTITY
(A)		SEAT	1
(B)		METAL LEG	2
(C)		METAL RING	1
(D)		BOLT M6*30	1
(E)		BOLT M6*55	2
(F)		BOLT M6*45	2
(G)		BOLT M6*25	4
(H)		ALLEN KEY M6	1
(I)		ALLEN KEY M4	1

STEP :



NOTE:

PLEASE PUT THE CHAIR ONTO A SOFT AND CLEAN SURFACE FOR ASSEMBLY.

PAGE 1 OF 1