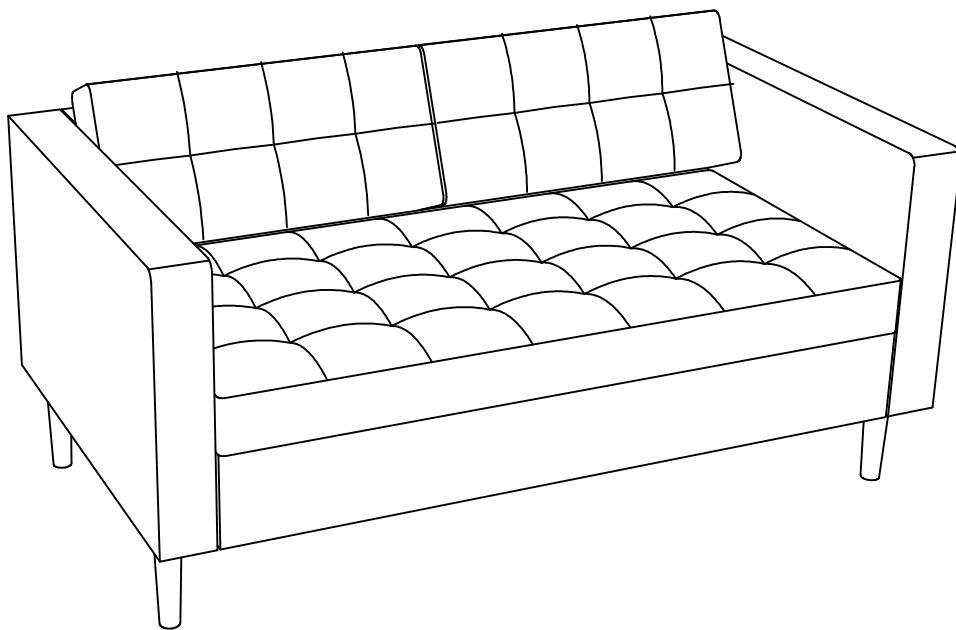


ASSEMBLY INSTRUCTION

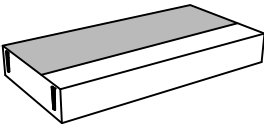
BELLA 2-ISTUTTAVA SOHVA
191847 / 191851



ASSEMBLY INSTRUCTION

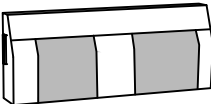
PART LIST

1



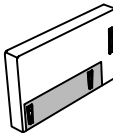
Seat Box 1PC

2



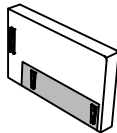
Back Box 1PC

3



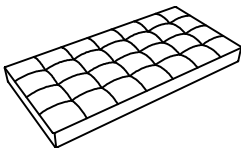
Armrest 1PC

4



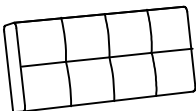
Armrest 1PC

5



Seat Cushion 1PC

6



Back Cushion 2PCS

7



Leg 4PCS

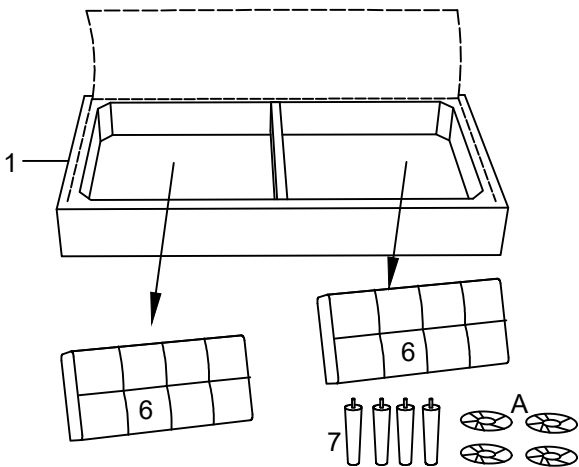
A



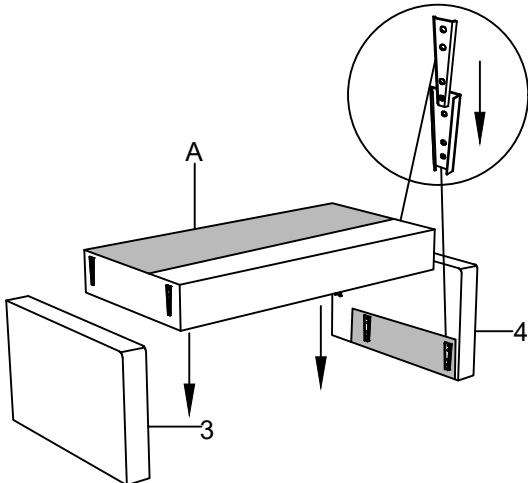
Washer 4PCS

ASSEMBLY

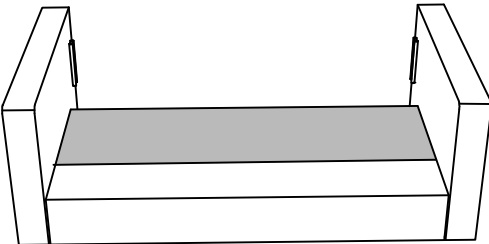
1



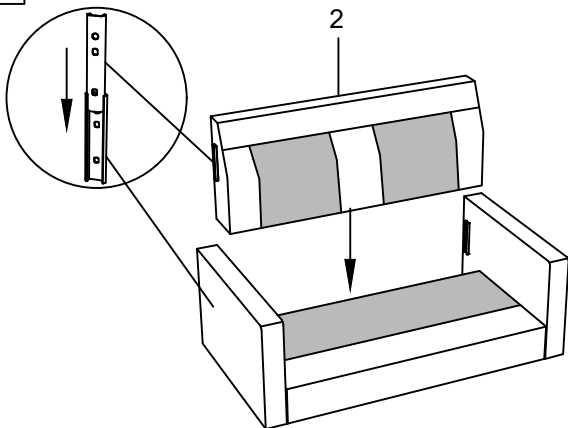
2



3



4



ASSEMBLY

