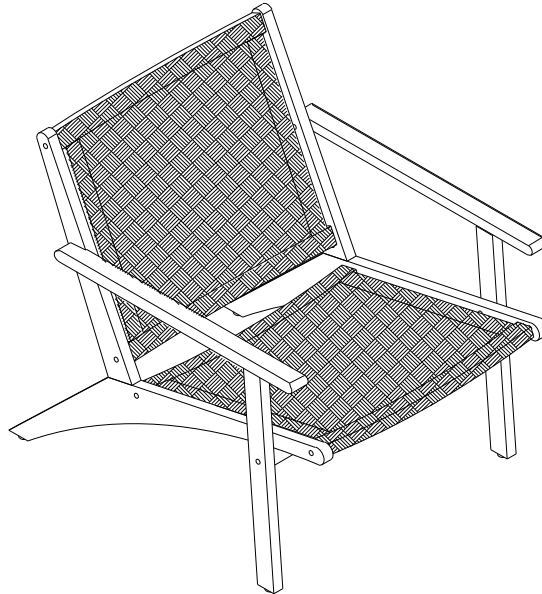


KYLIE PARVEKERYHMÄ, PÖYTÄ + 2 TUOLIA/ AKAASIAPUU/NARUPUNOS  
197611

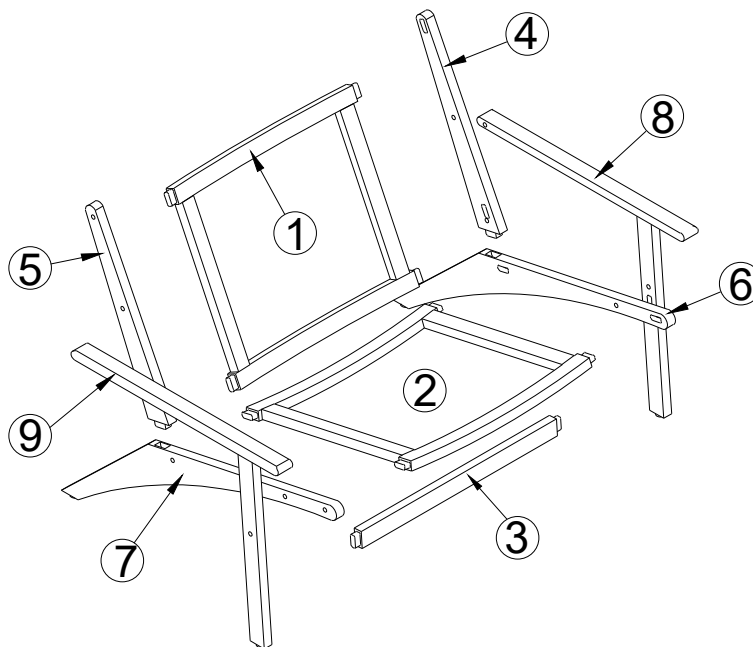
ASSEMBLY INSTRUCTIONS

X2



PARTLIST AND HARDWARE

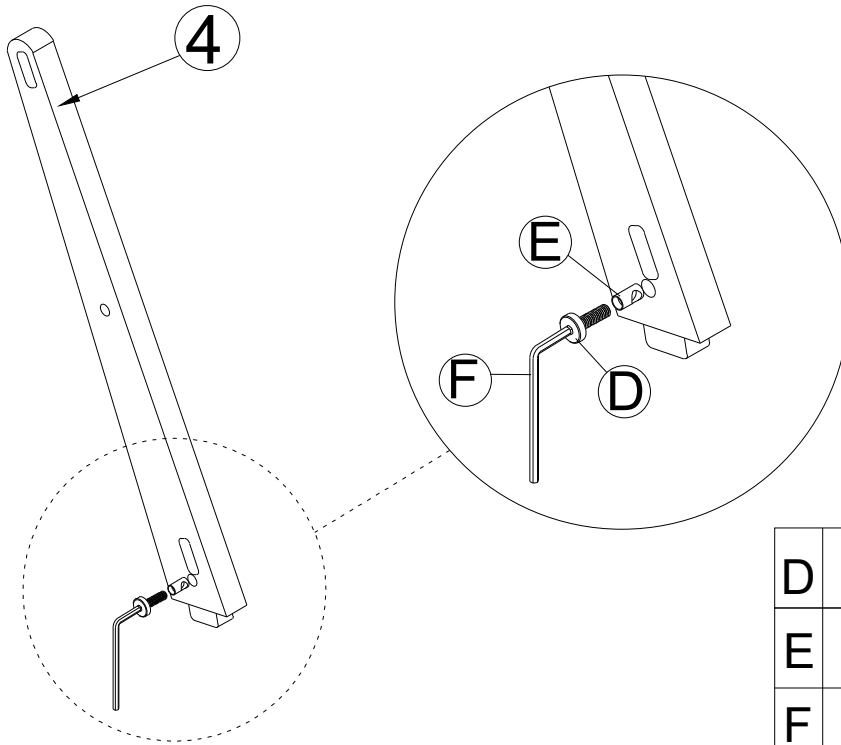
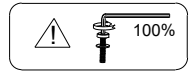
X2



Screw Bolt 6X35X13mm	Screw Bolt 6X50X13mm	Allen Bolt 6X90X13mm	Allen Bolt 6X30X13mm	M6X14mm	4X60mm
(A) 4 PCS	(B) 24 PCS	(C) 4 PCS	(D) 2 PCS	(E) 4 PCE	(F) 2 PCE

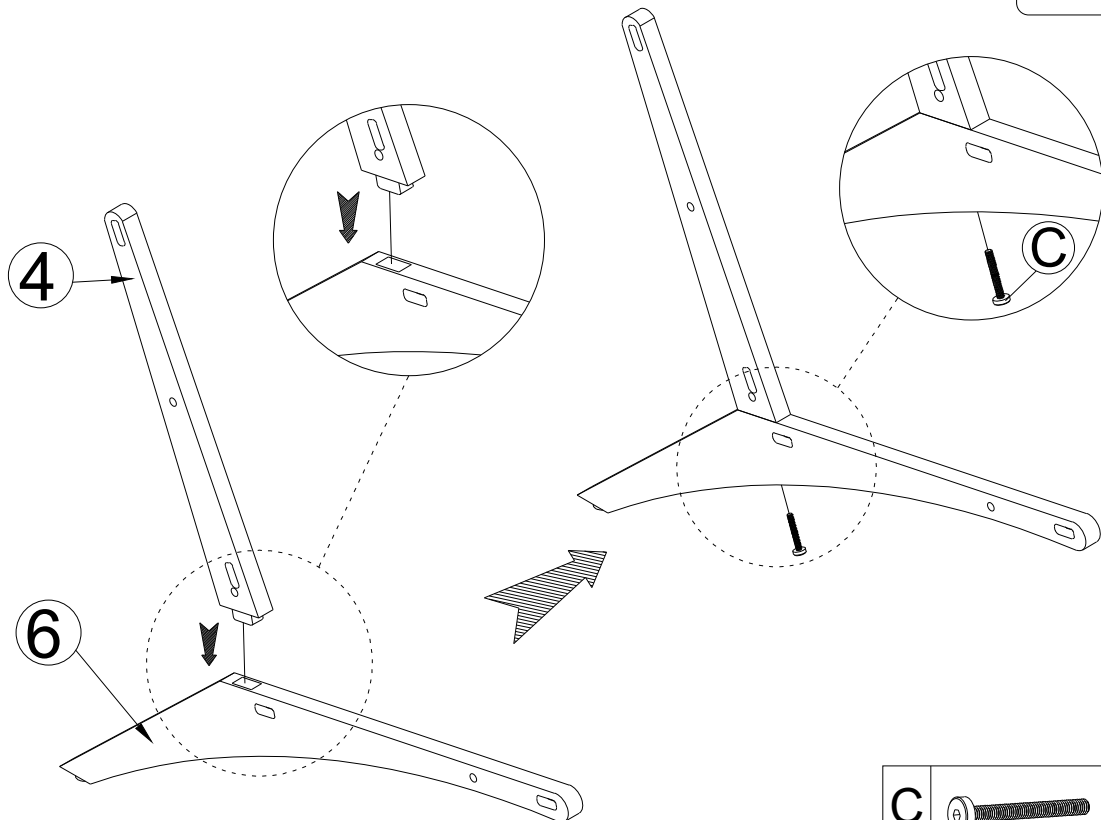
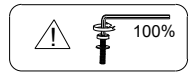


# STEP 1 X2



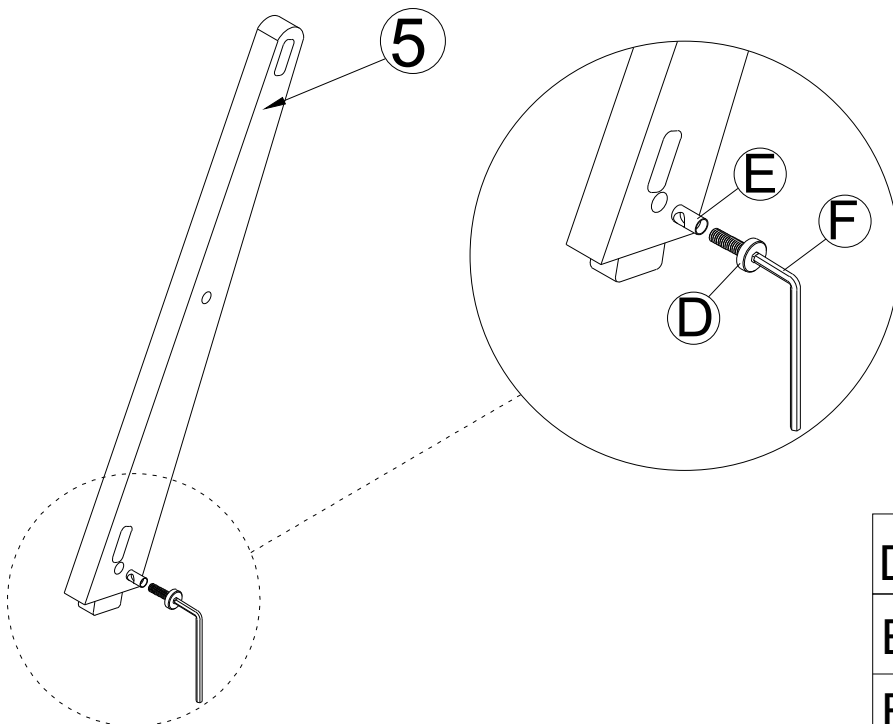
D		1
E		1
F		1

# STEP 2 X2



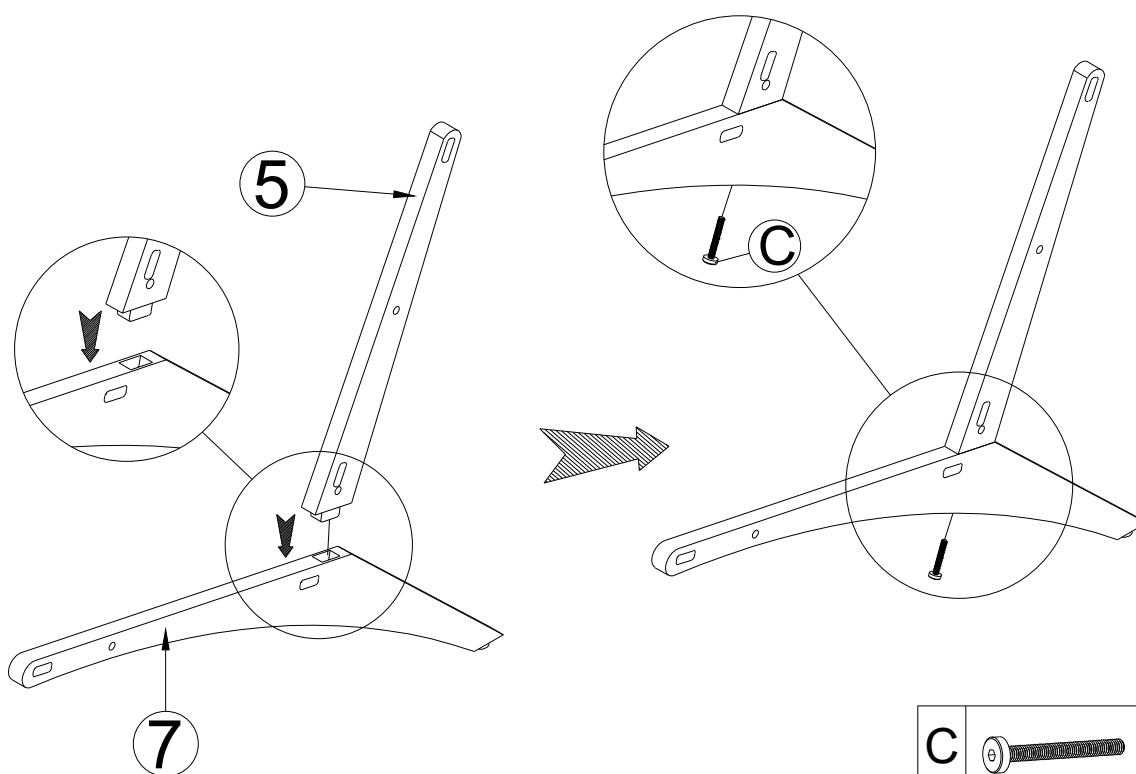
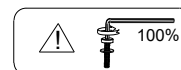
C		2
---	--	---

### STEP 3 X2



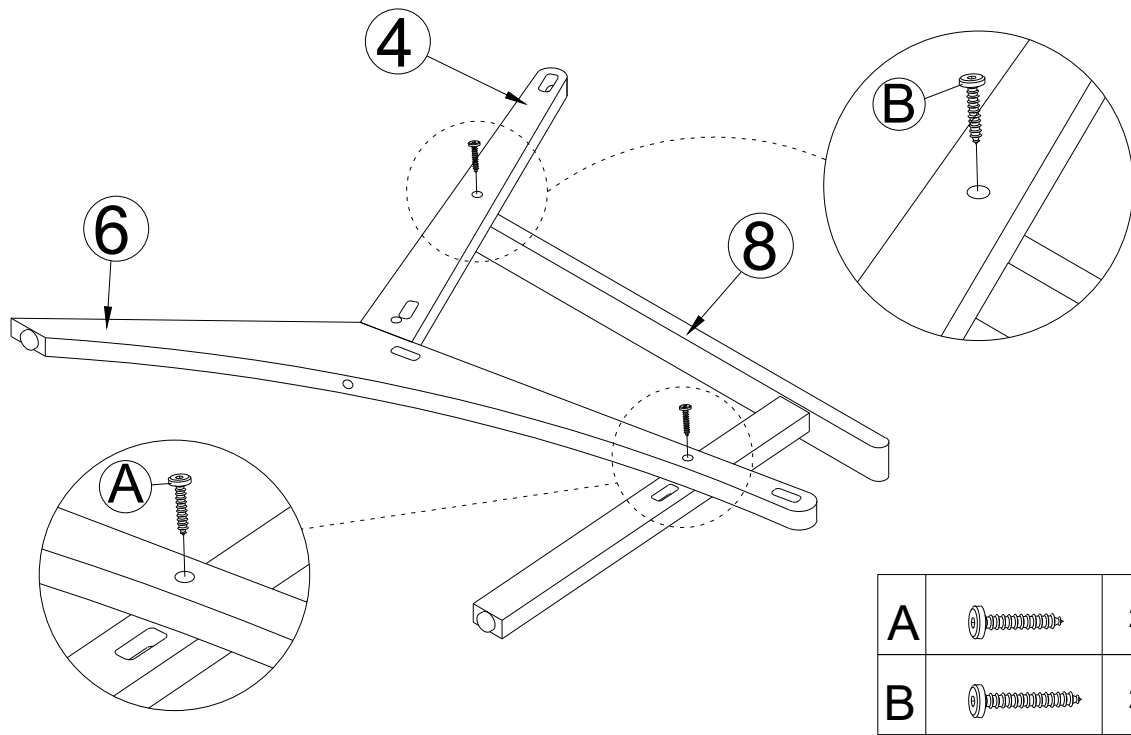
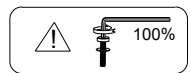
D		2
E		2
F		1

### STEP 4 X2



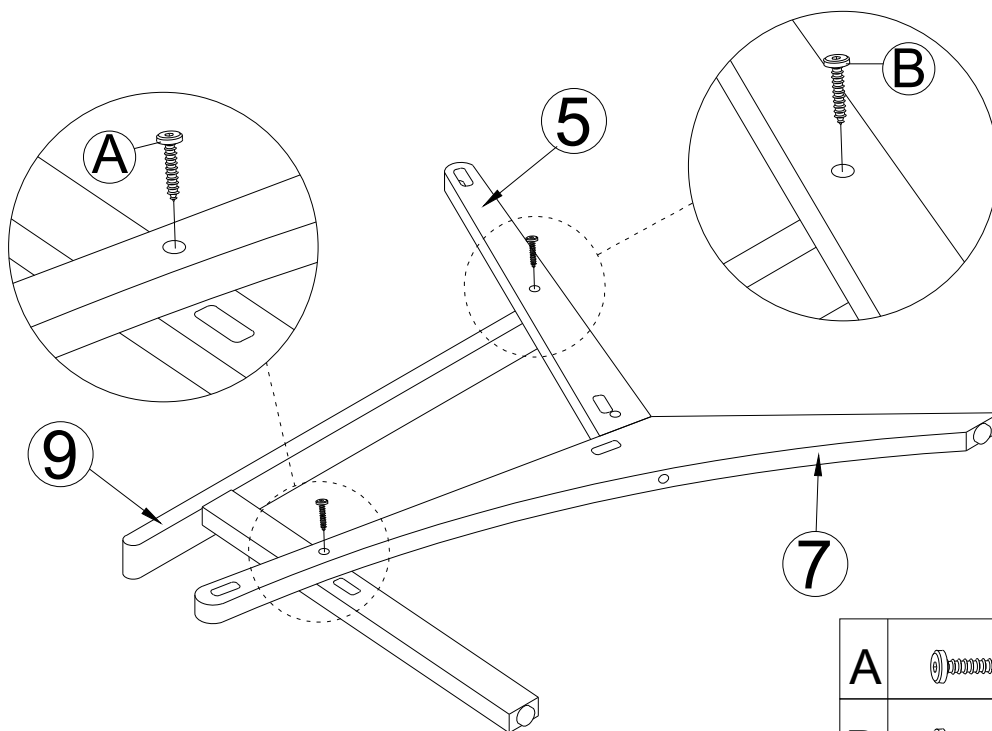
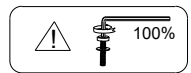
C		2
---	--	---

# STEP 5 X2



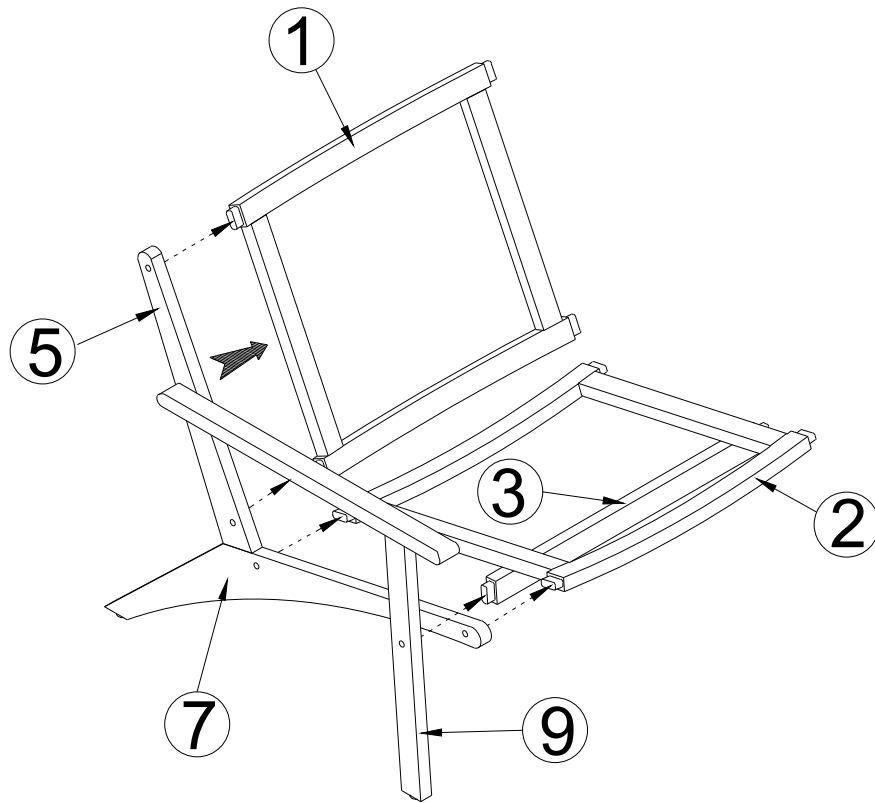
A		2
B		2

# STEP 6 X2

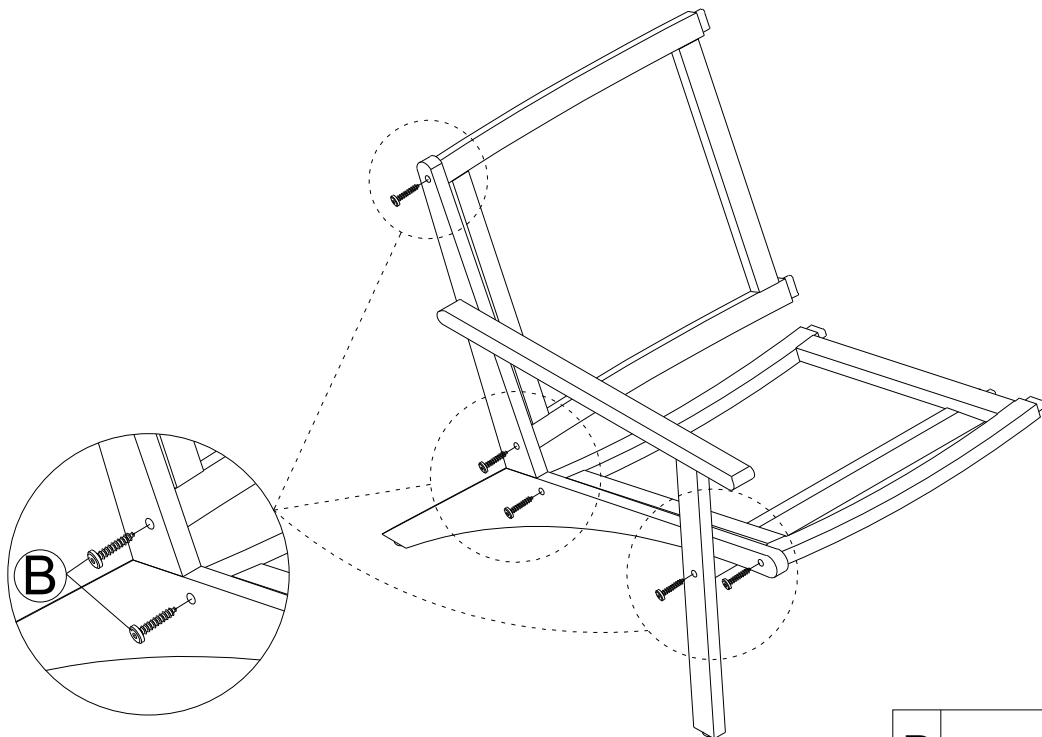
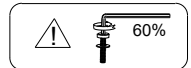


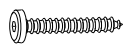
A		2
B		2

**STEP 7 X2**

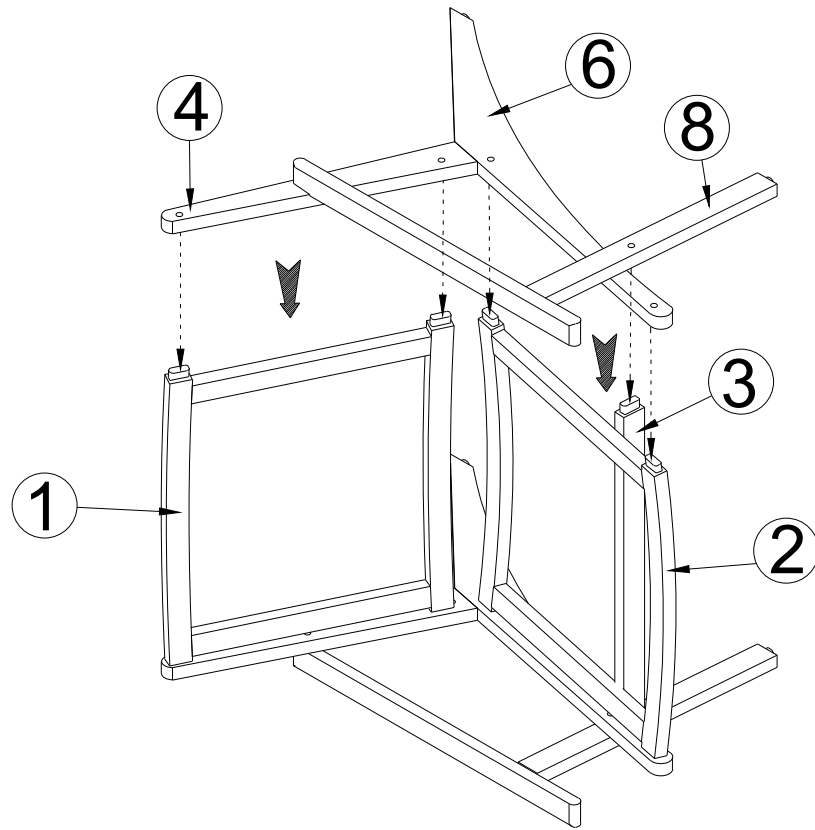


**STEP 8 X2**

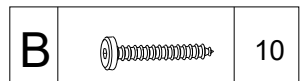
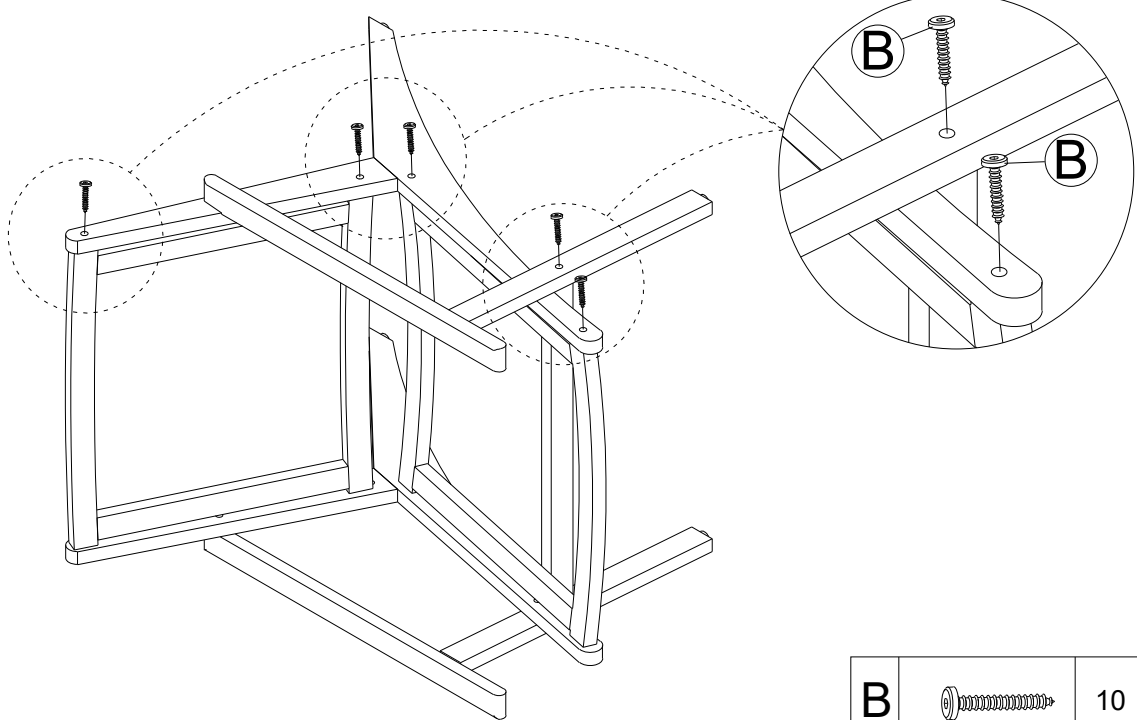
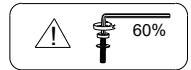


<b>B</b>		10
----------	---	----

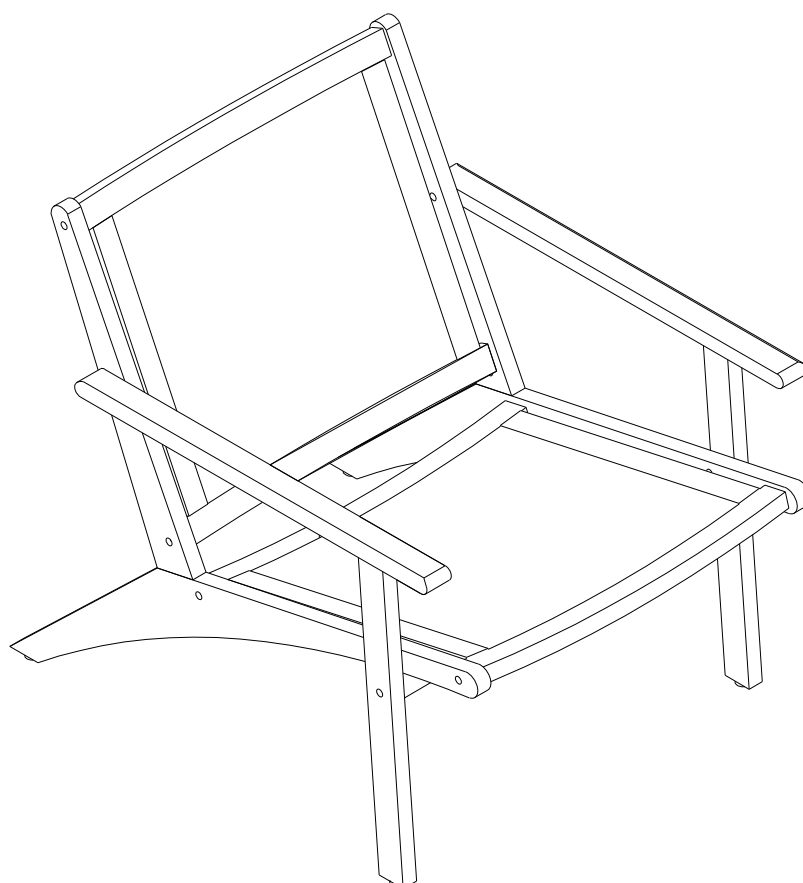
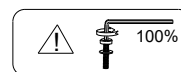
**STEP 9 X2**



**STEP 10 X2**



**STEP 11 X2**



**FINISHED**

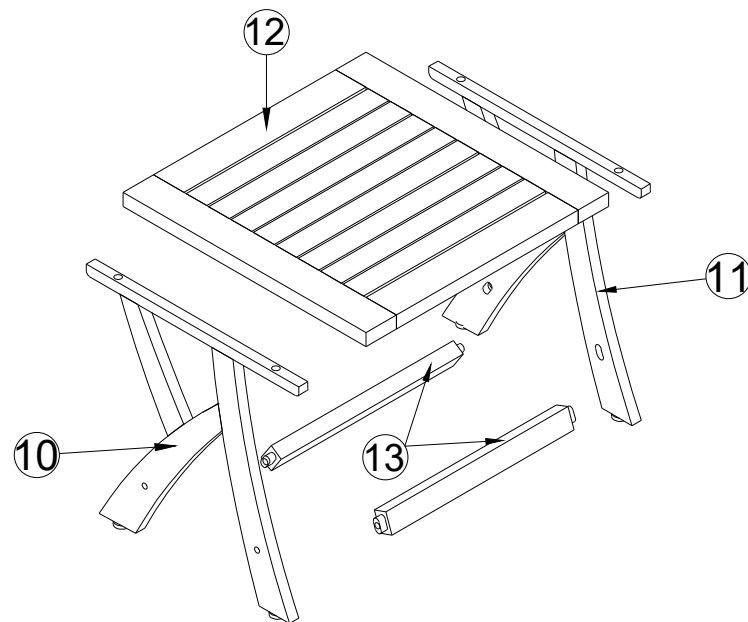
# X1


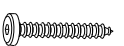


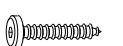
## ASSEMBLY INSTRUCTIONS



# X1

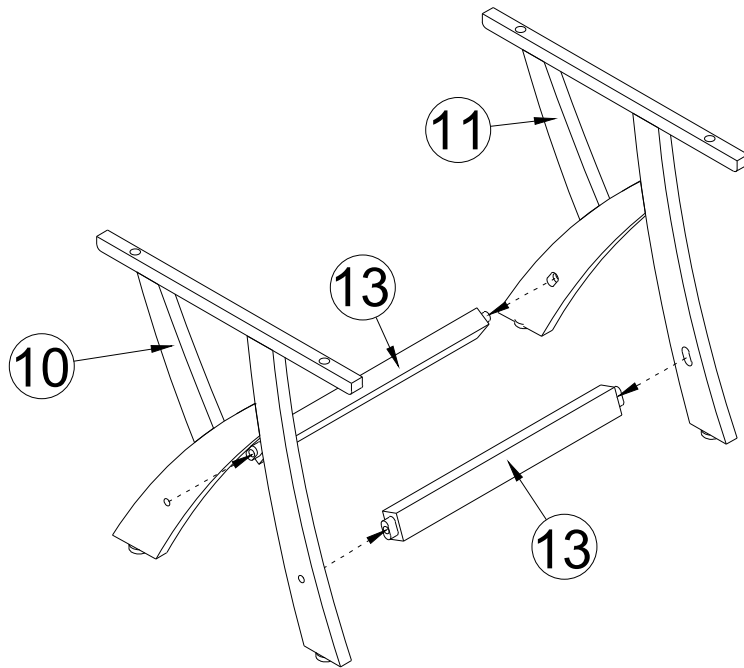
## PARTLIST AND HARDWARE



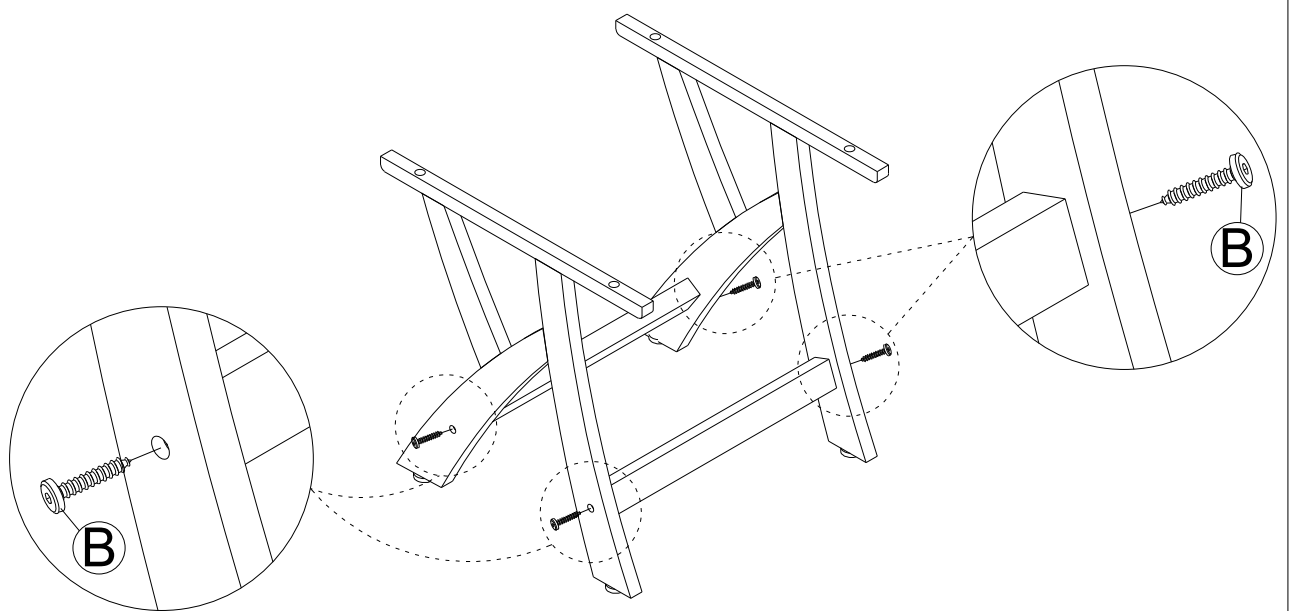
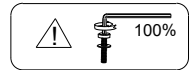
					
Screw Bolt 6X50X13mm		4X60mm	Screw Bolt 6X25X13mm		
<b>B</b>	4 PCS	<b>F</b>	1 PCS	<b>G</b>	4 PCS

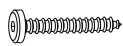


# STEP 1

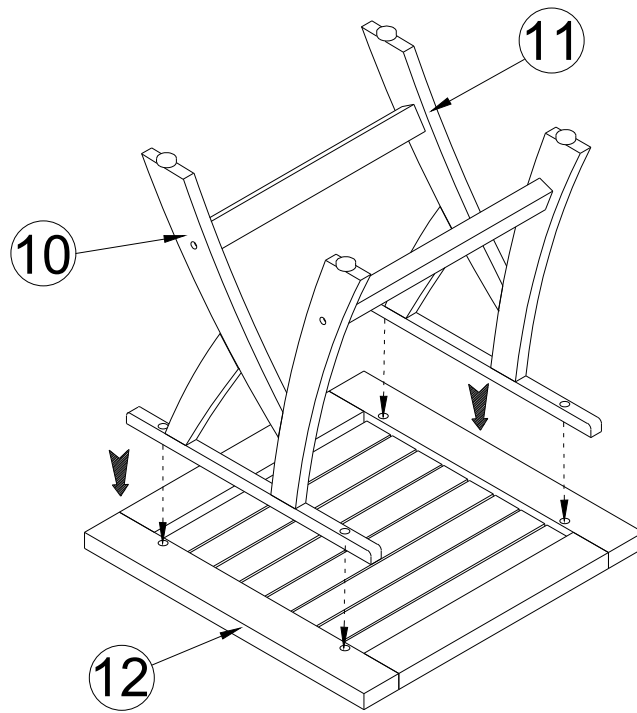


# STEP 2

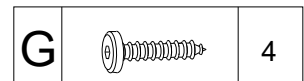
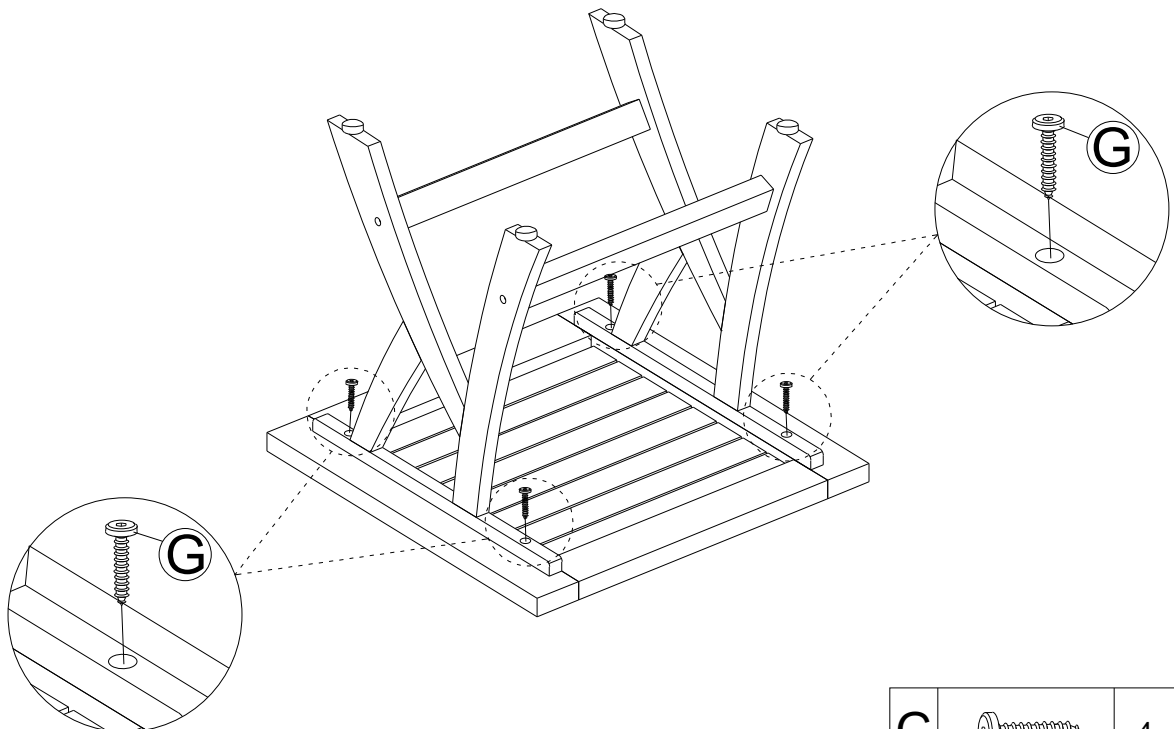
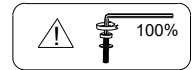


B		4
---	---	---

### STEP 3



### STEP 4



**STEP 5**



**FINISHED**