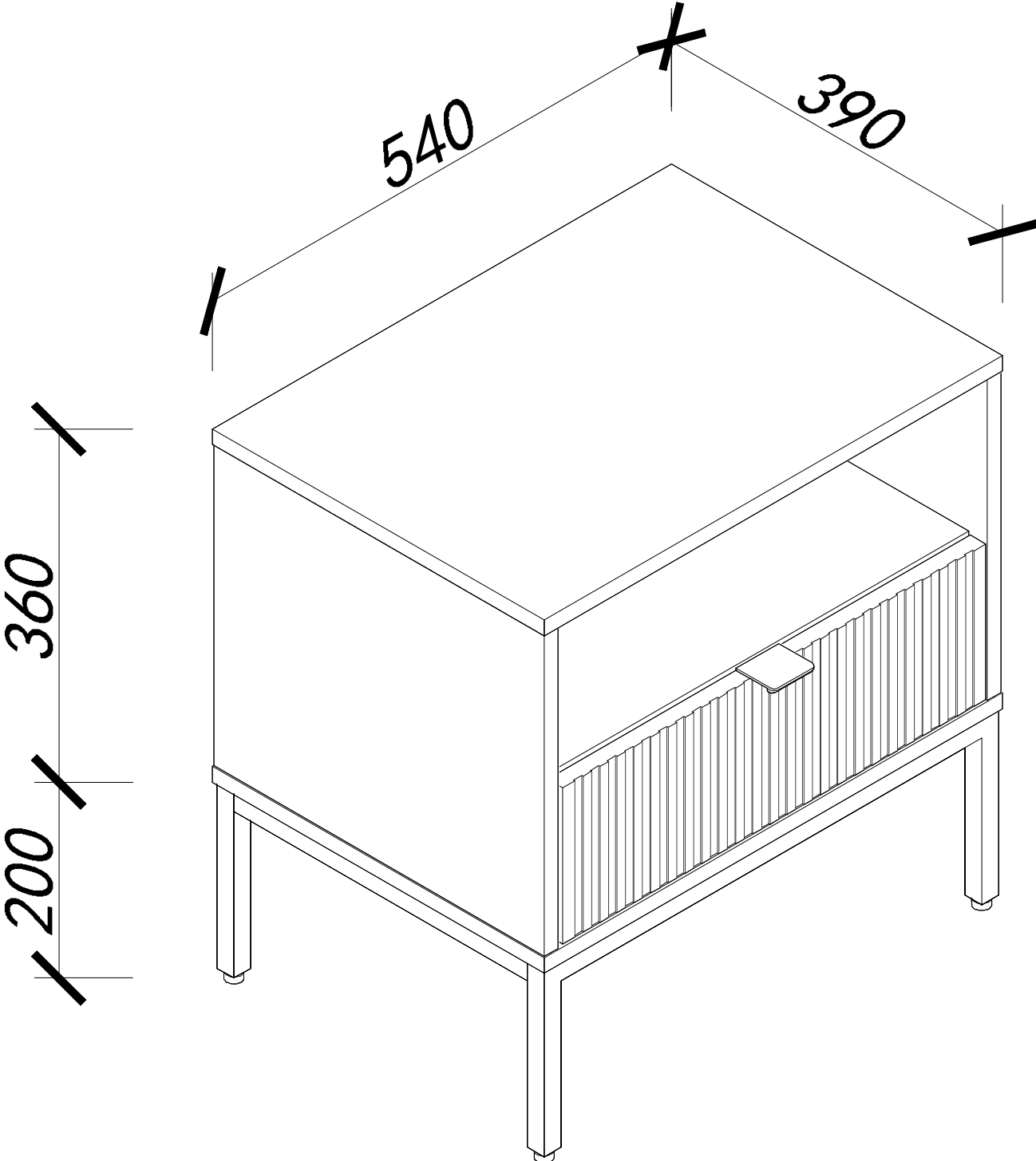
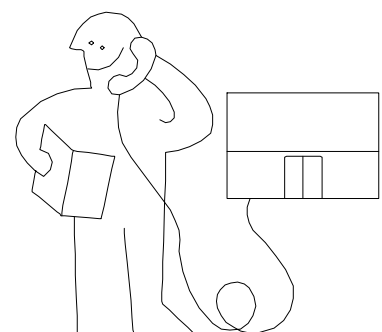
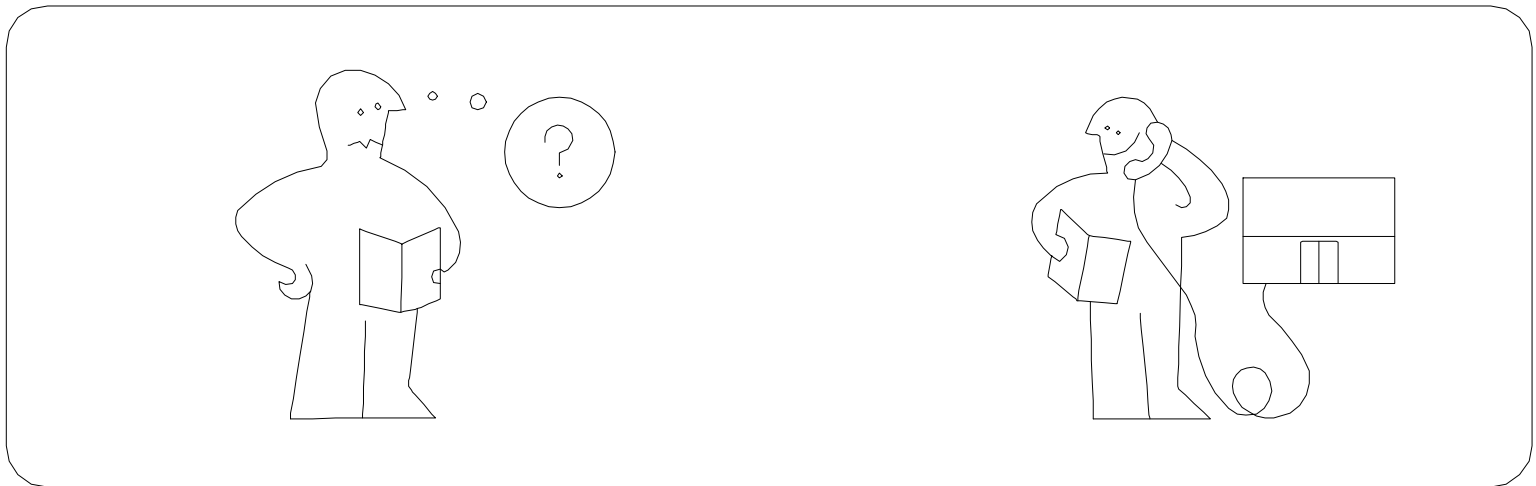
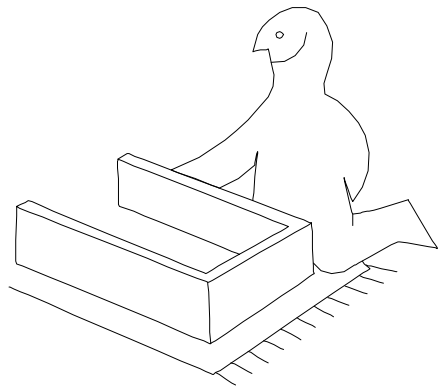
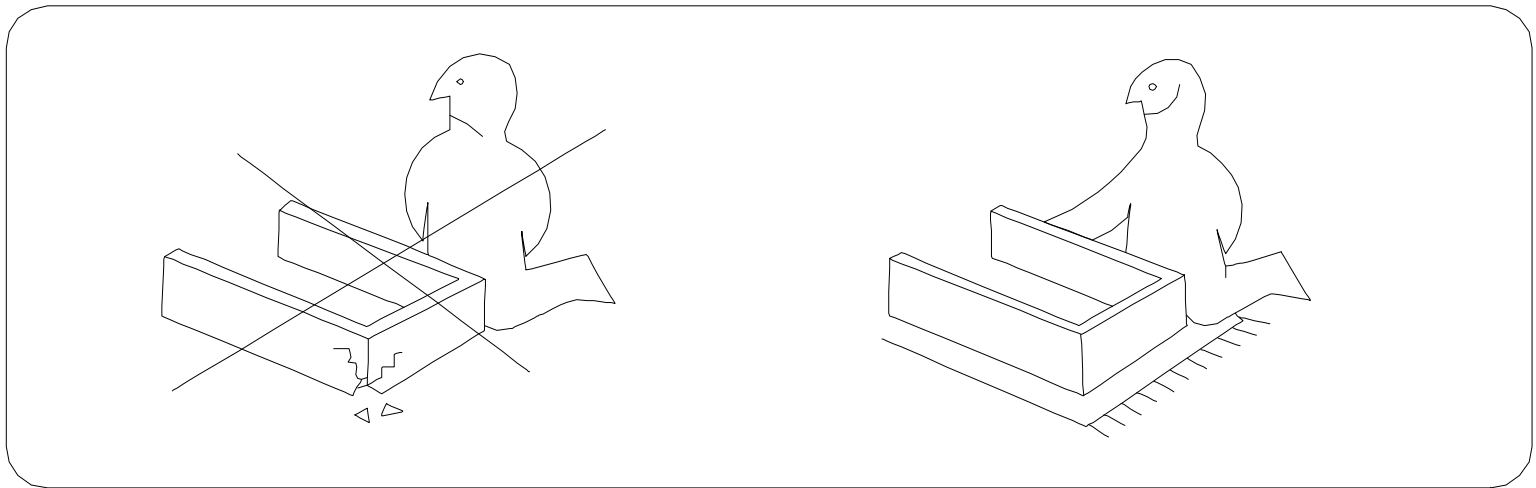
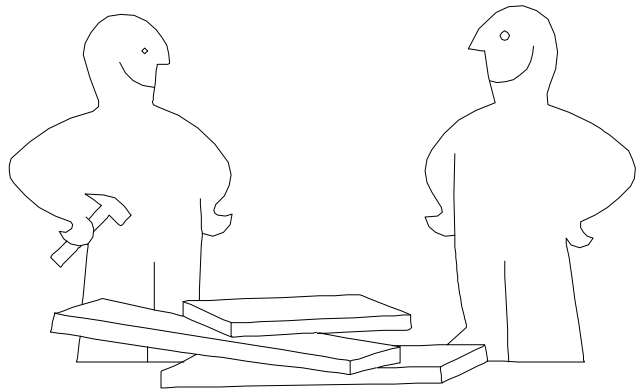
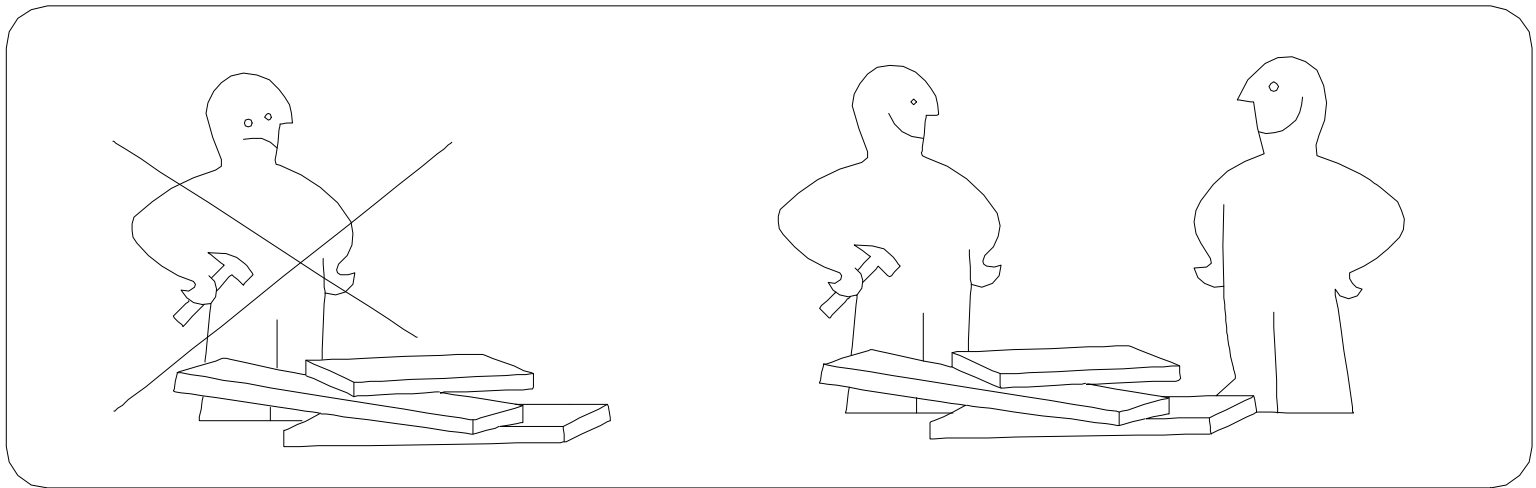
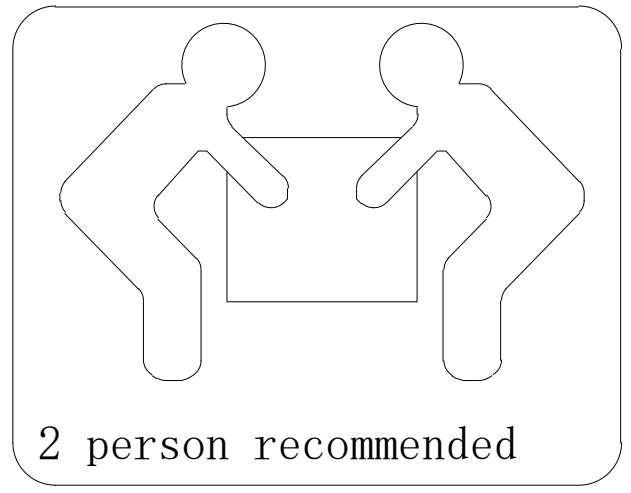
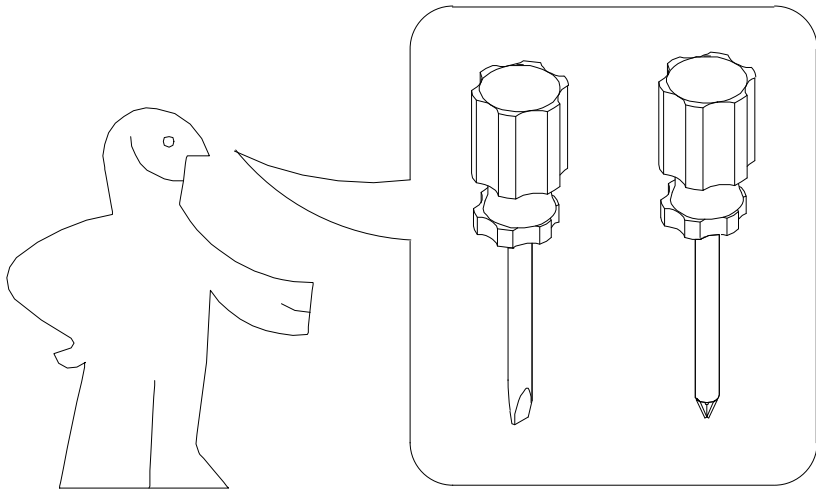


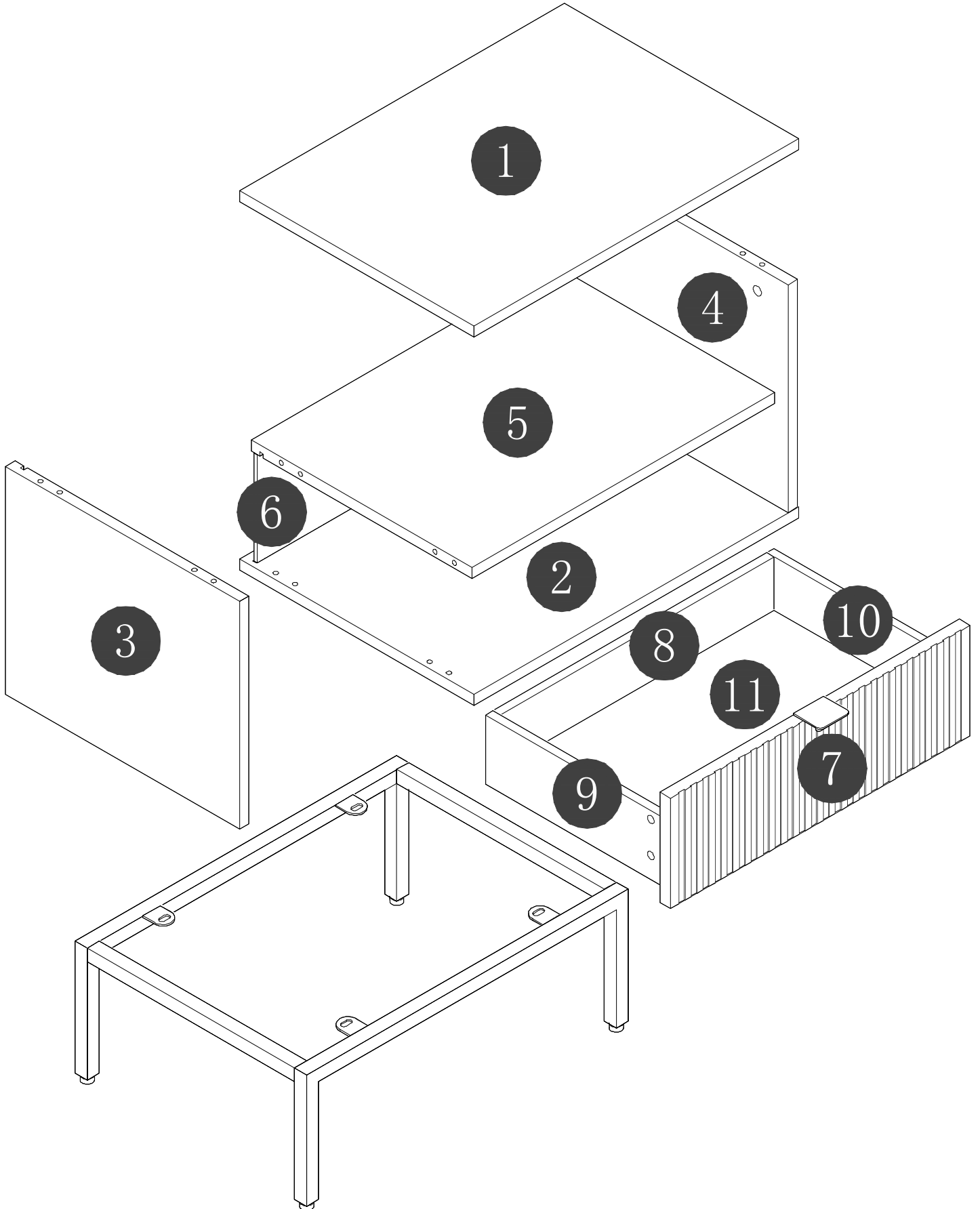
Assembly Instructions





Panel No	Panel Sizes	Quantity
1	538*390*16	1
2	538*390*16	1
3	328*389*16	1
4	328*389*16	1
5	504*367*16	1
6	514*156*5	1

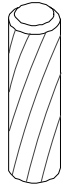
Panel No	Panel Sizes	Quantity
7	159*498*18	1
8	456*100*12	1
9	300*100*12	1
10	300*100*12	1
11	464*298*5	1



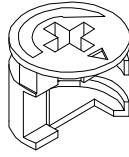
Fittings



A=8



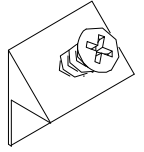
B=12



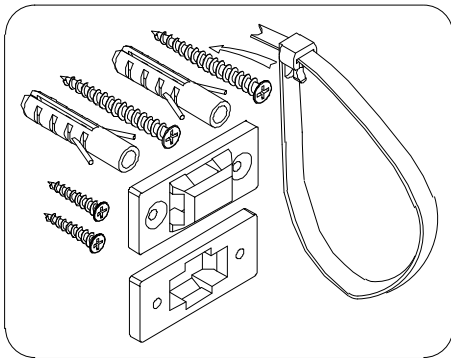
C=8



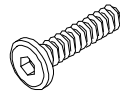
D=16



E=4



F=1

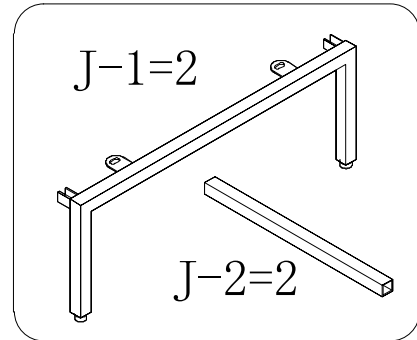


M6*16

G=8

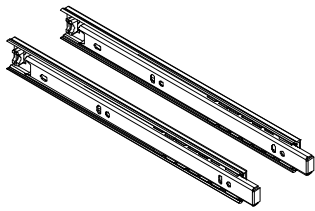


H=1



J-1=2

J-2=2



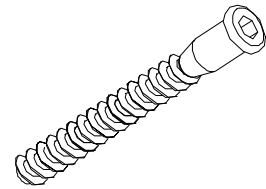
N=1



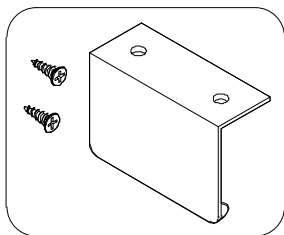
O=8



P=8



Q=4



U=1

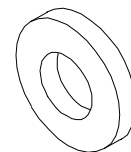


M3.5*12

V1=8

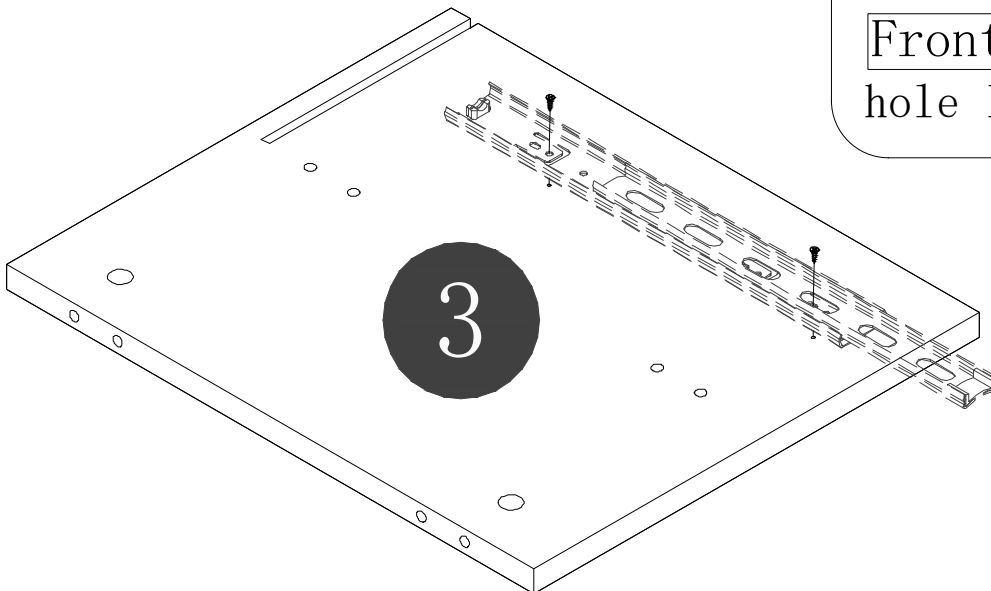
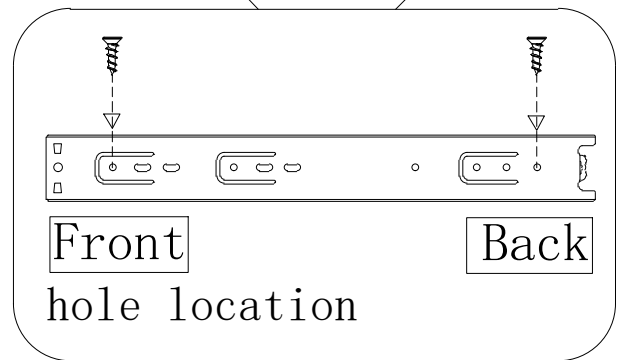
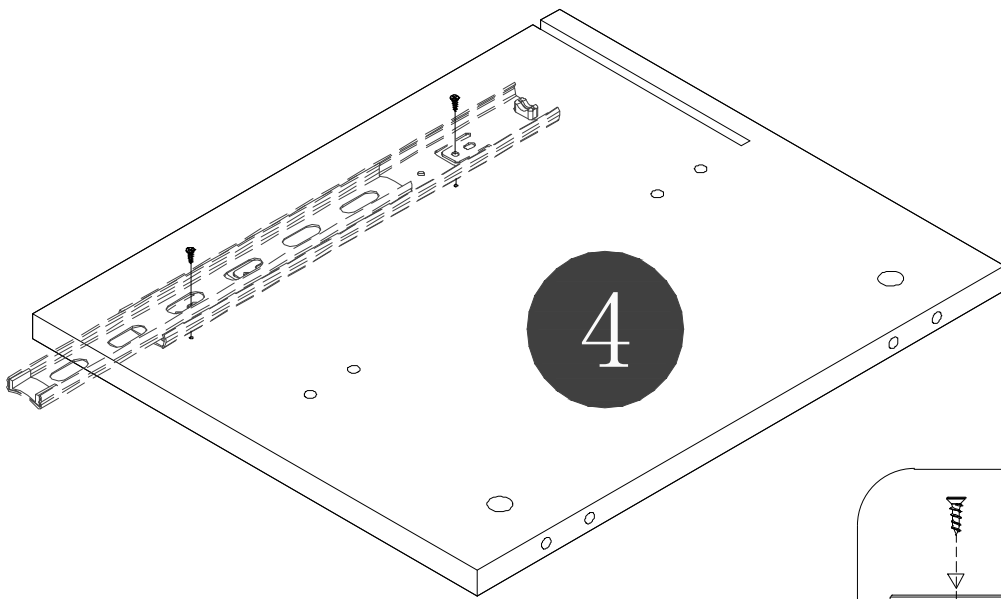
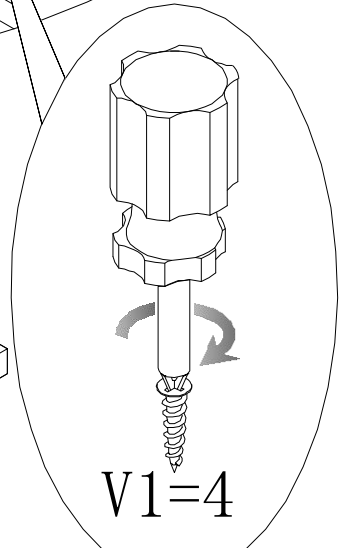
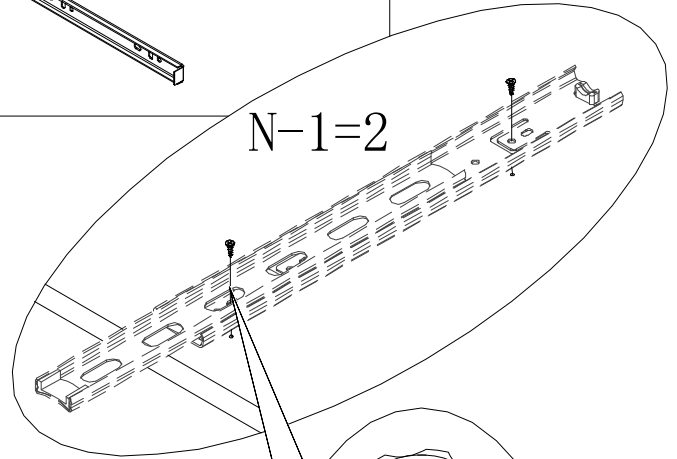
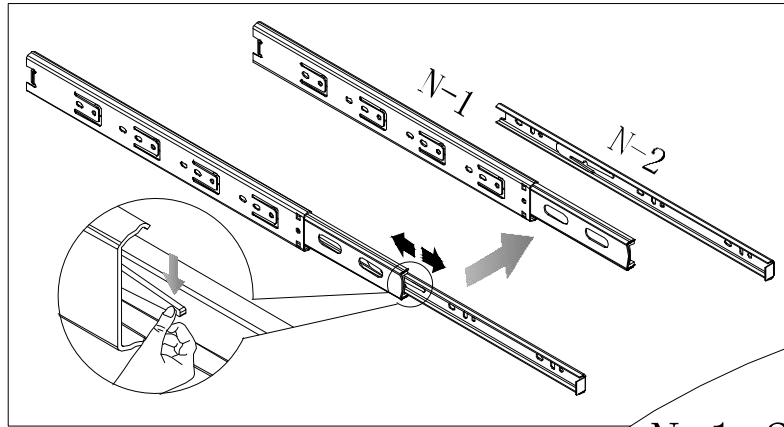


Z1=4

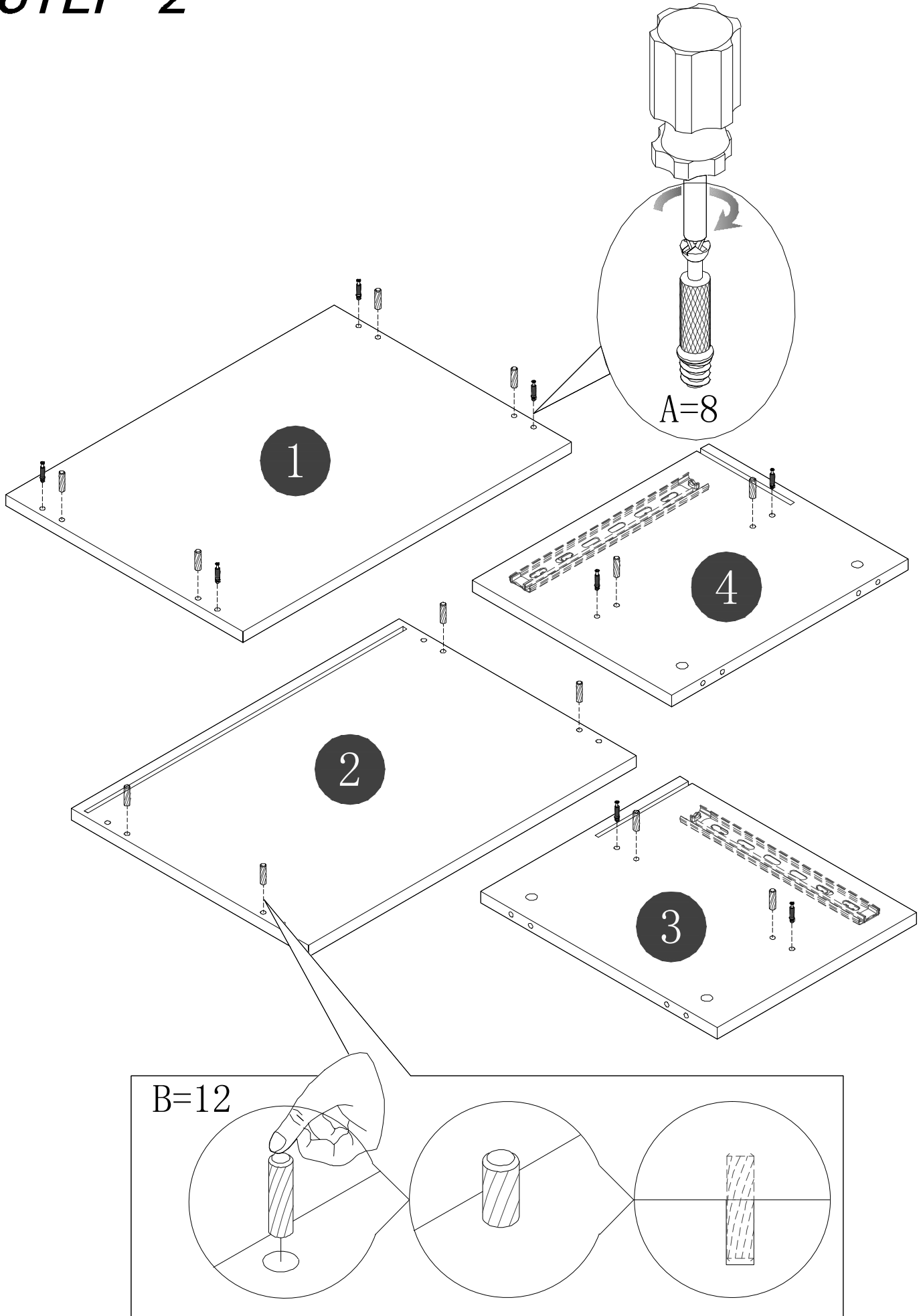


Z2=4

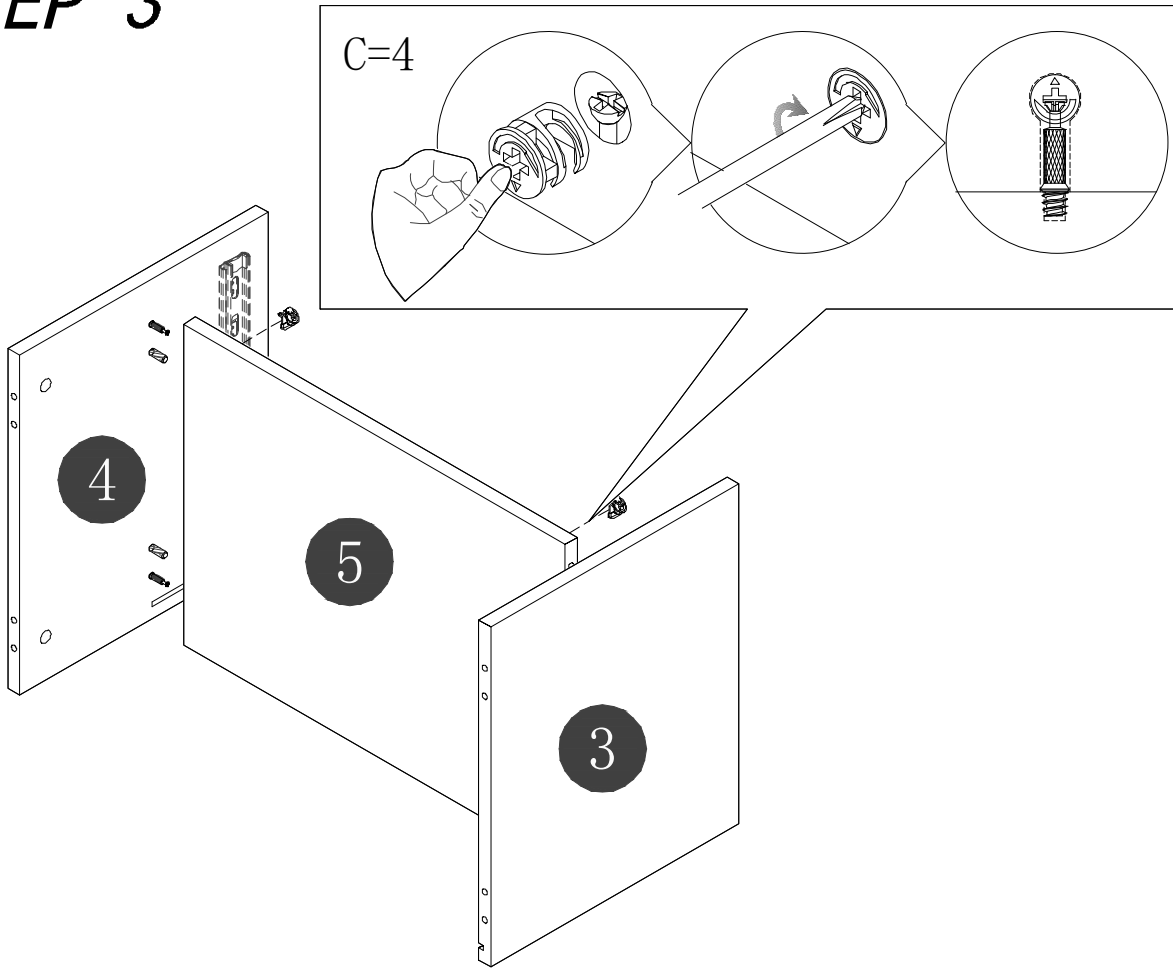
STEP 1



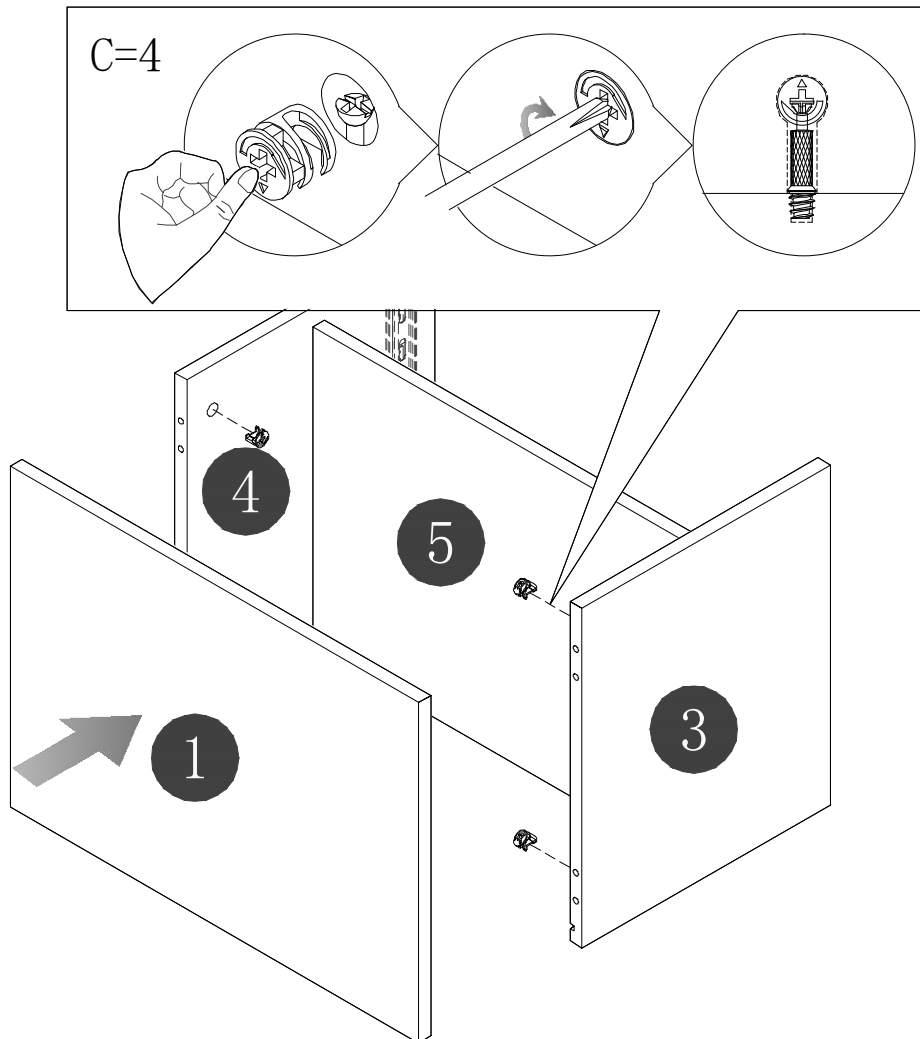
STEP 2



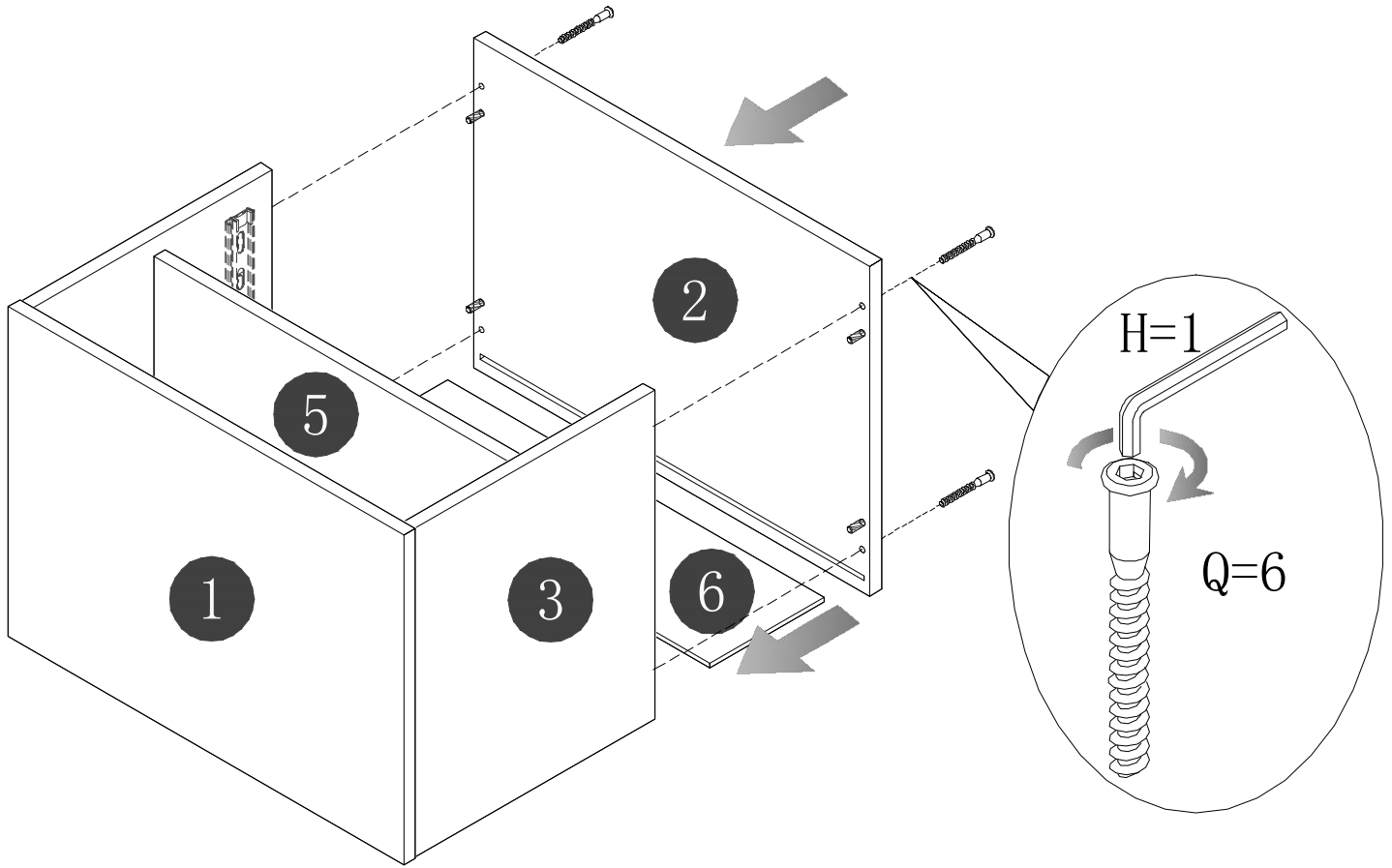
STEP 3



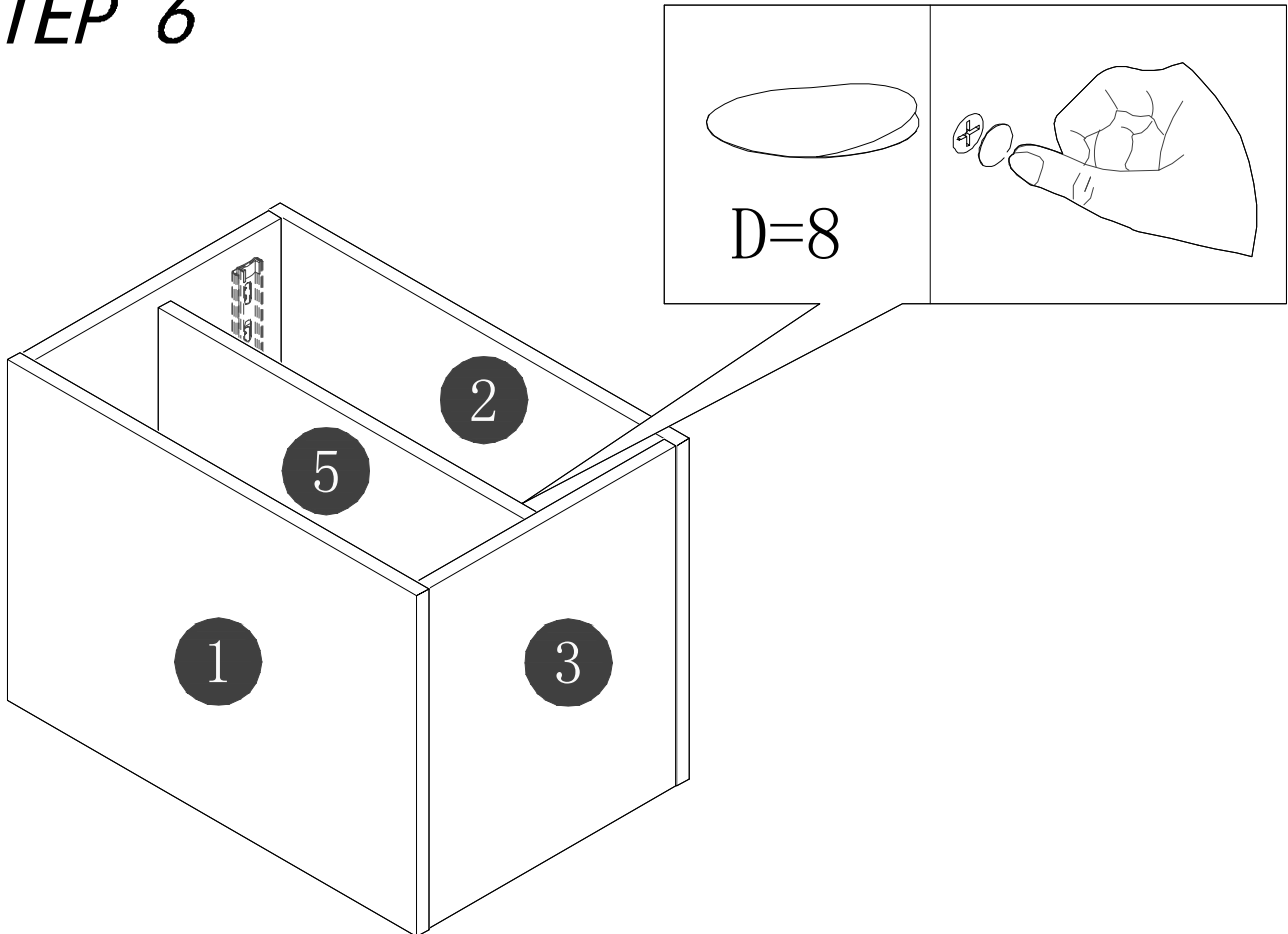
STEP 4



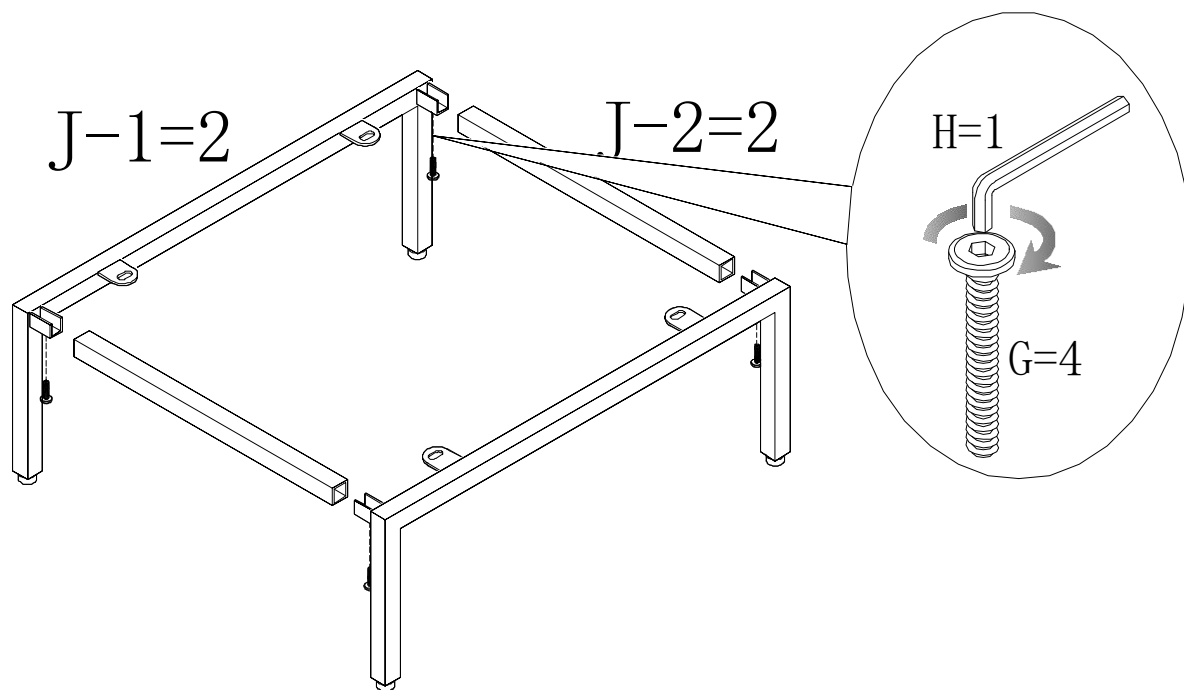
STEP 5



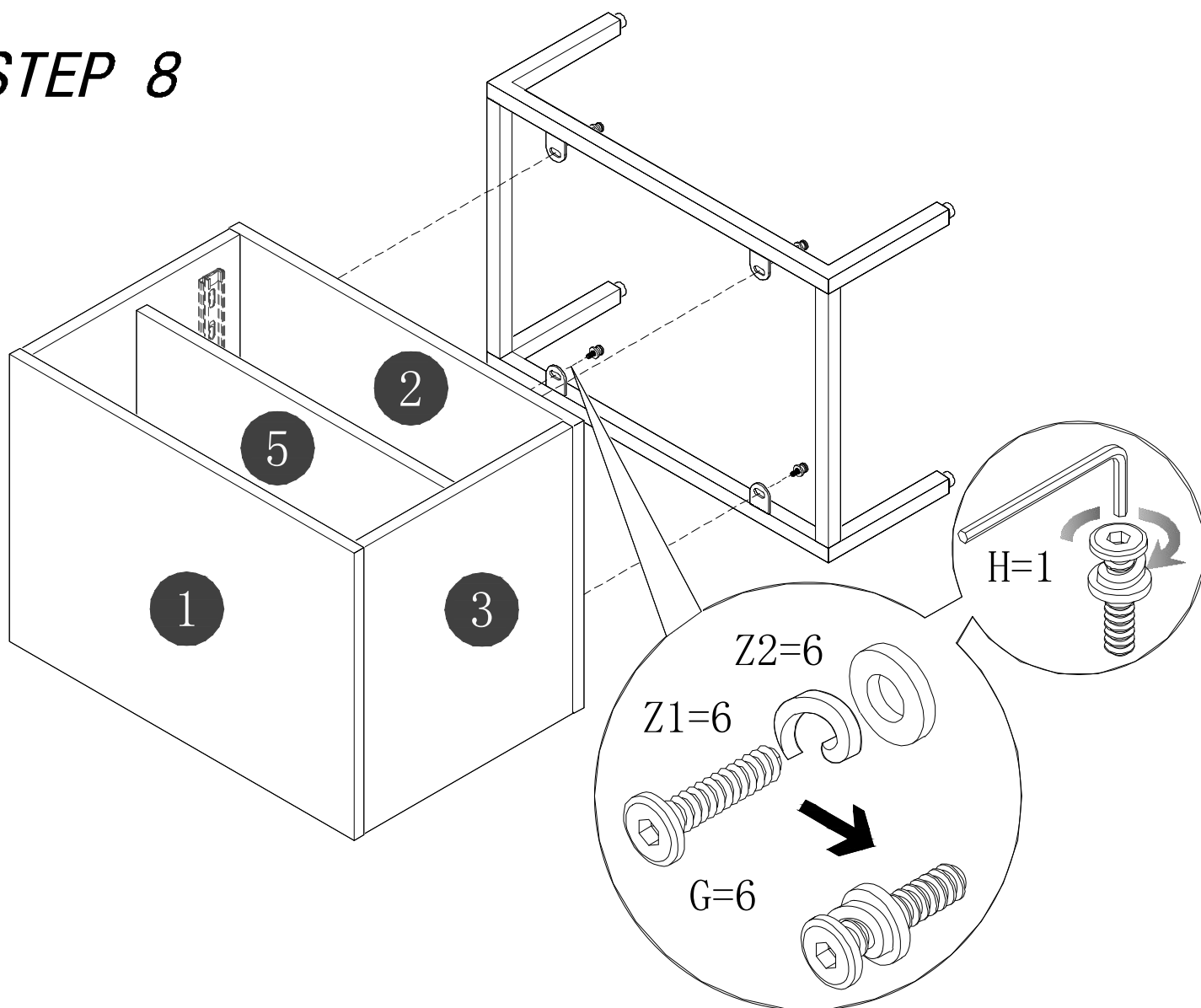
STEP 6



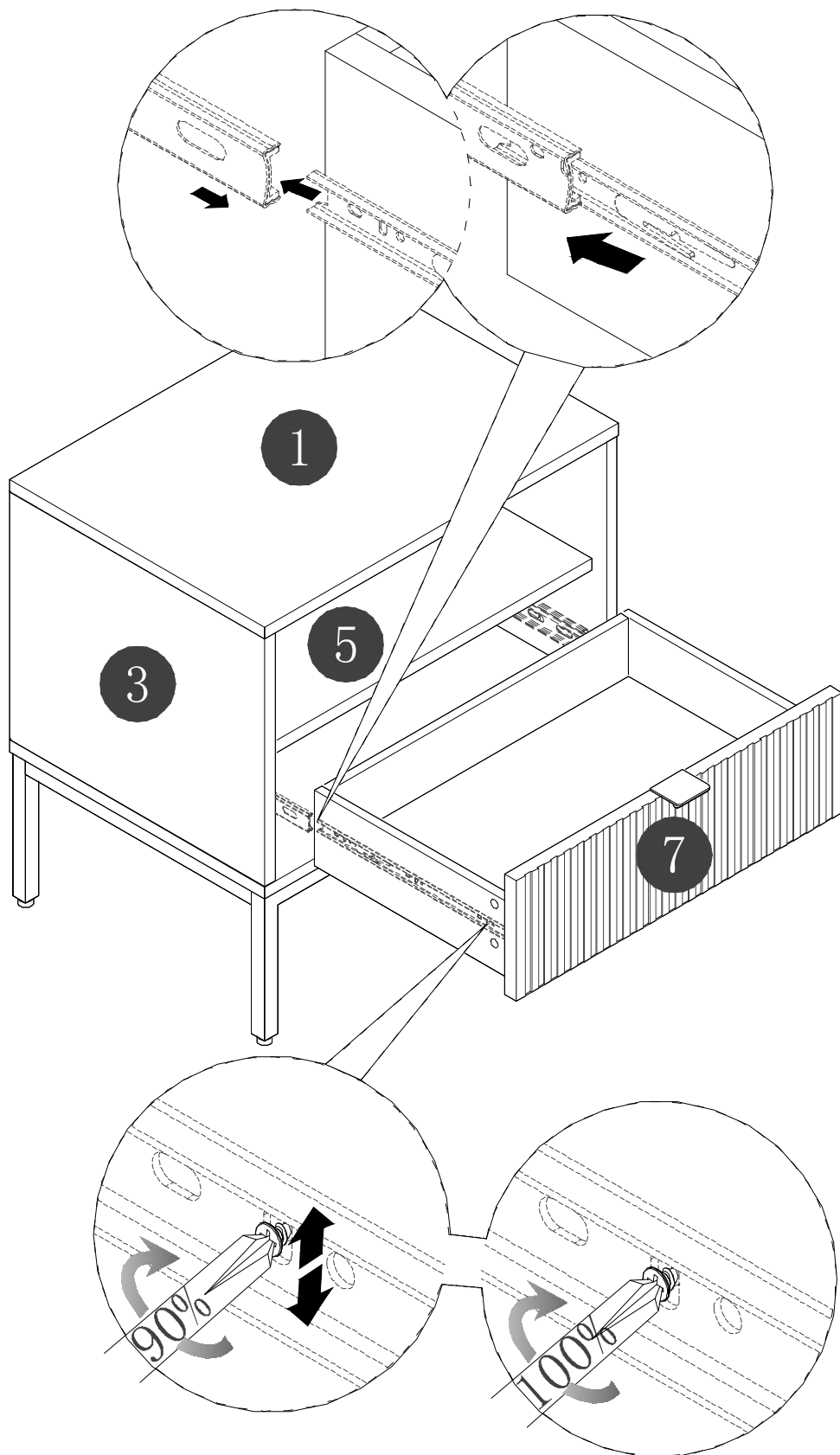
STEP 7



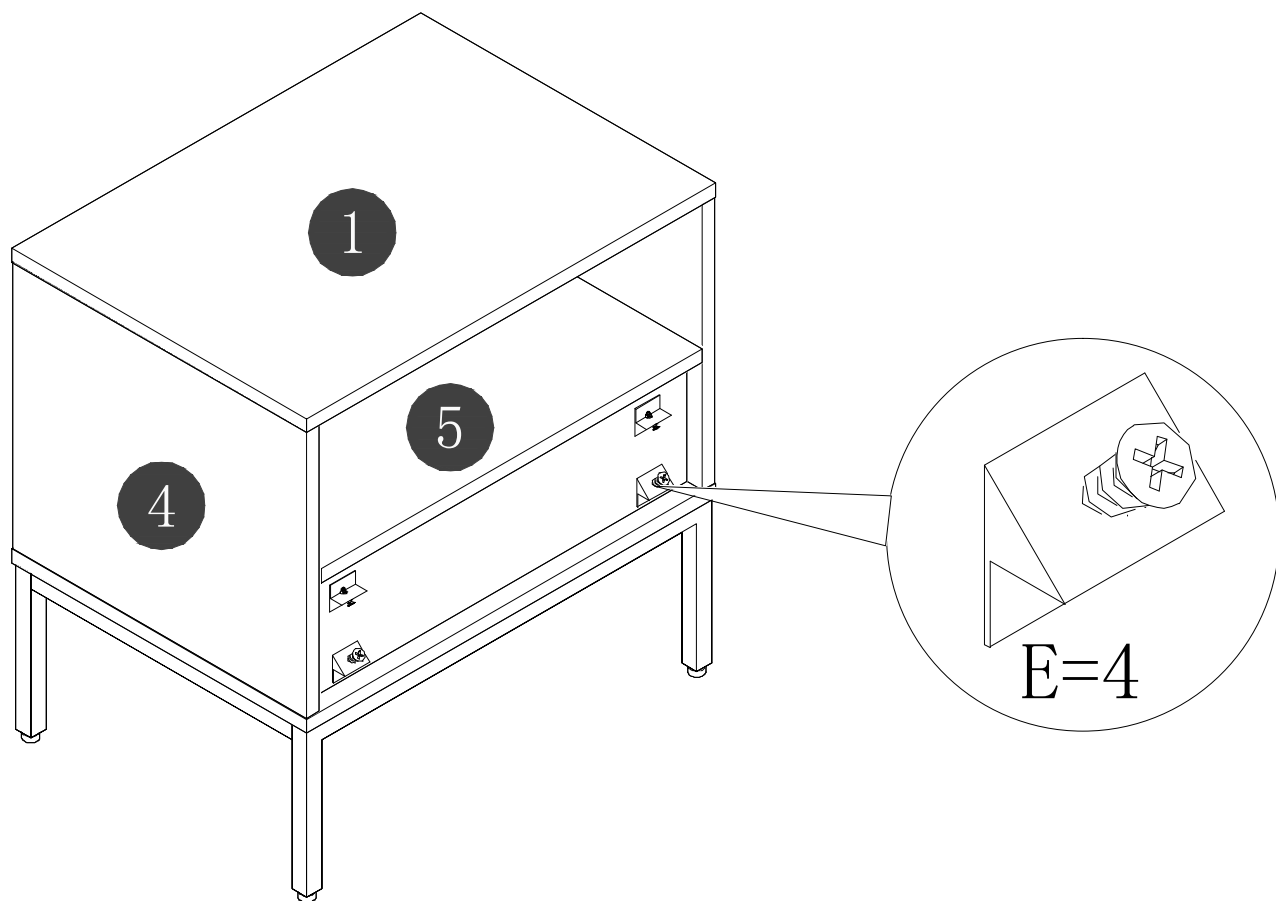
STEP 8



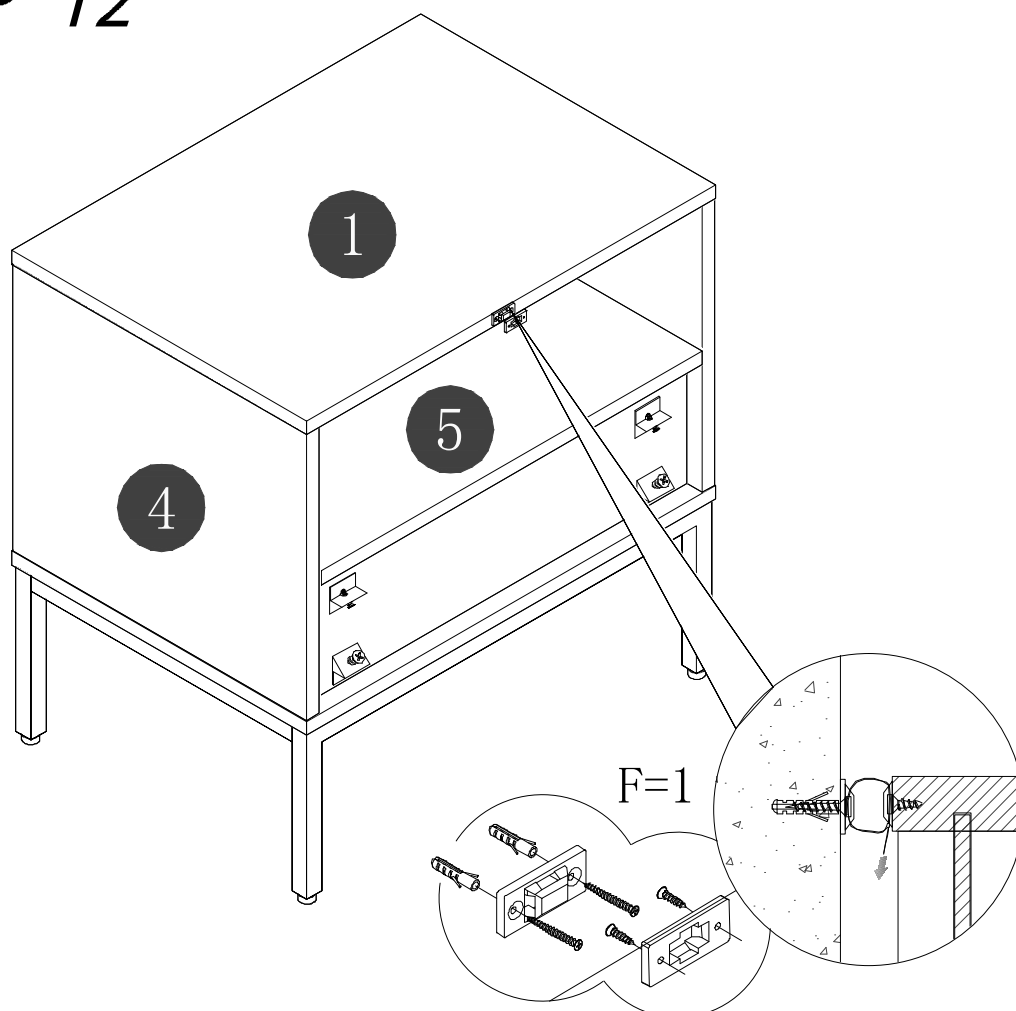
STEP 10



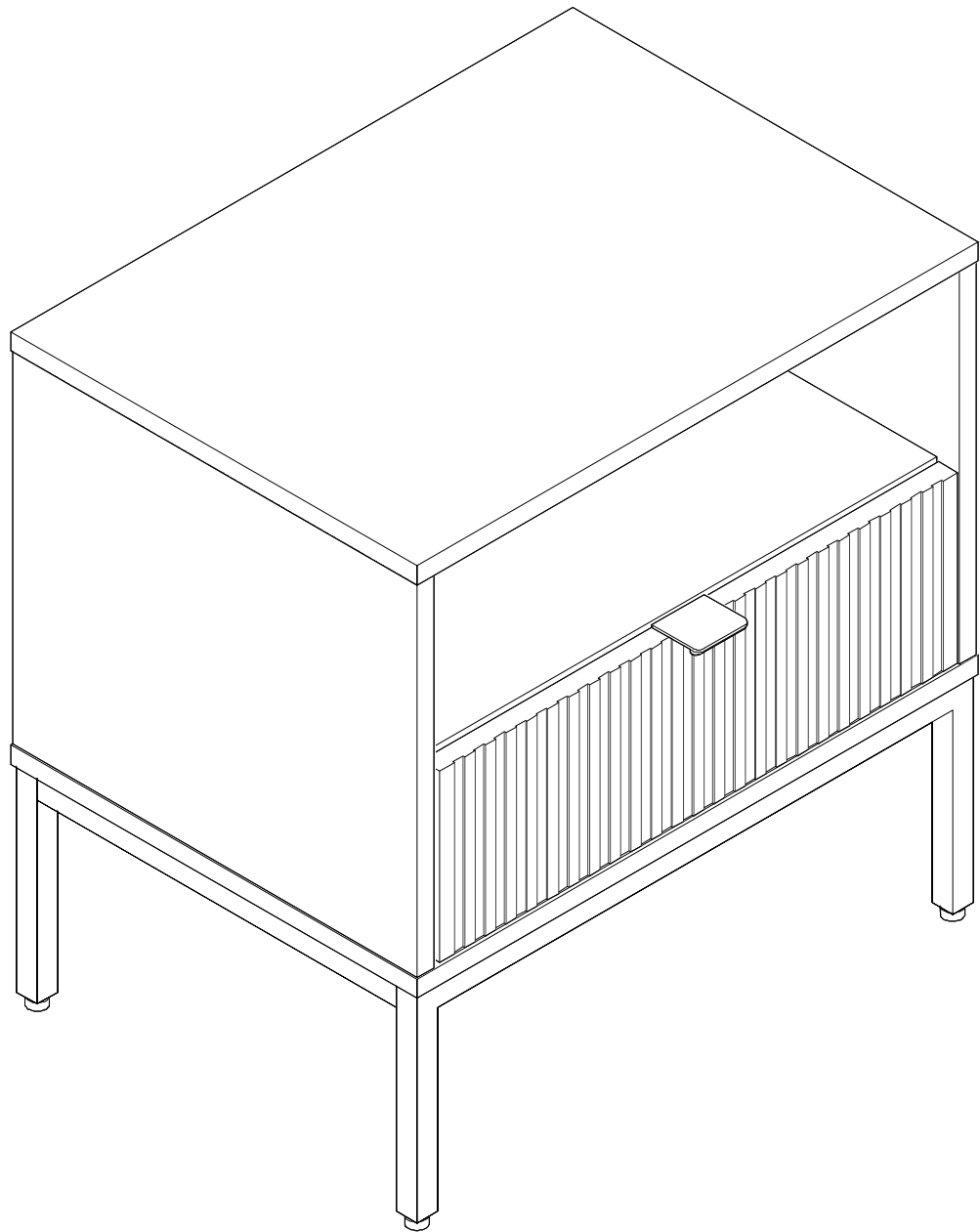
STEP 11



STEP 12



STEP 13



Finish