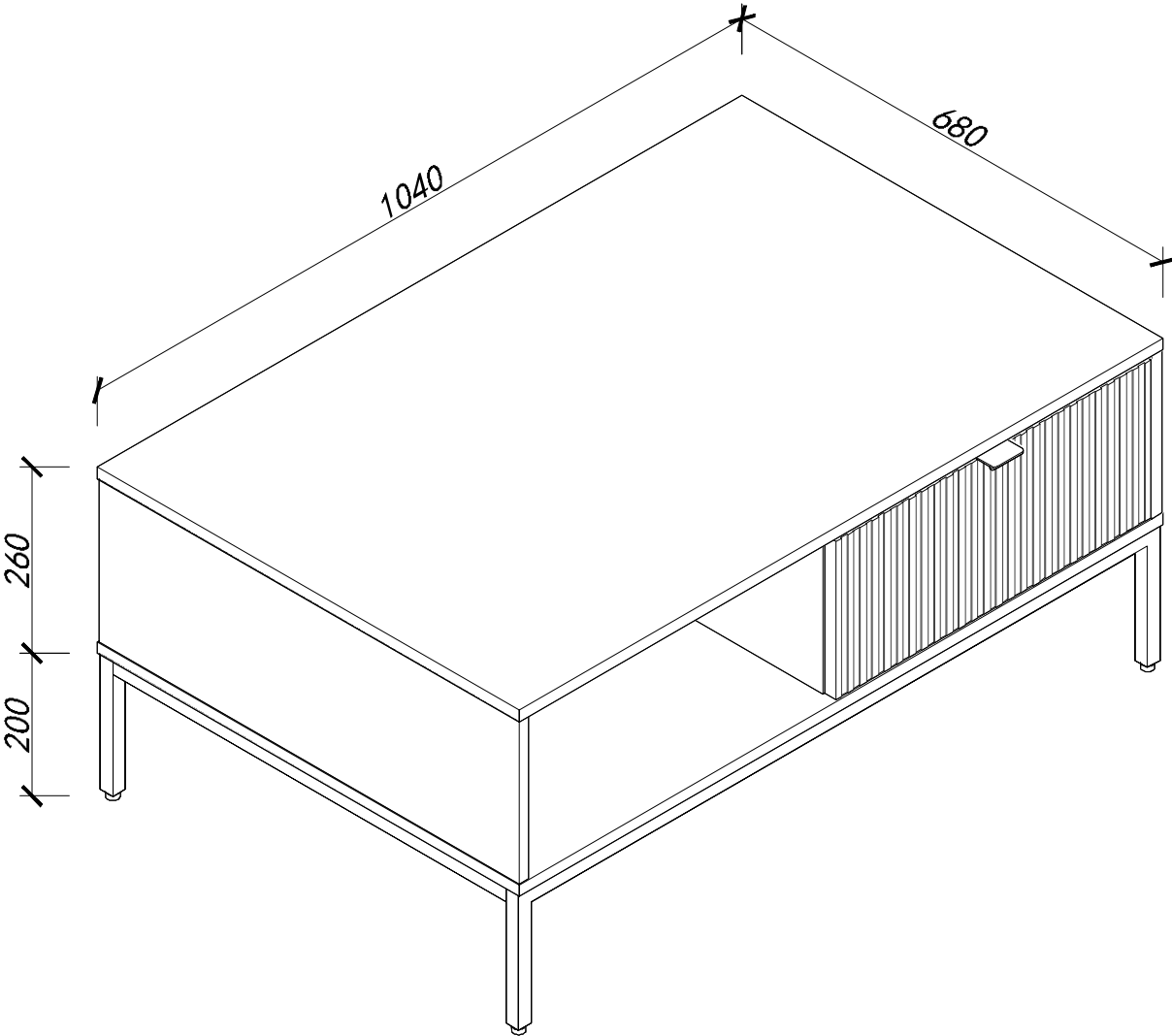
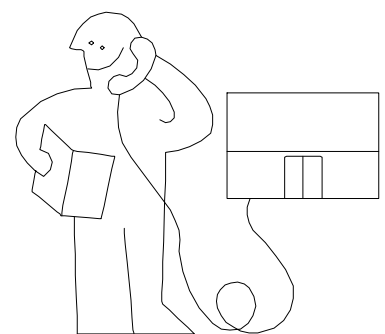
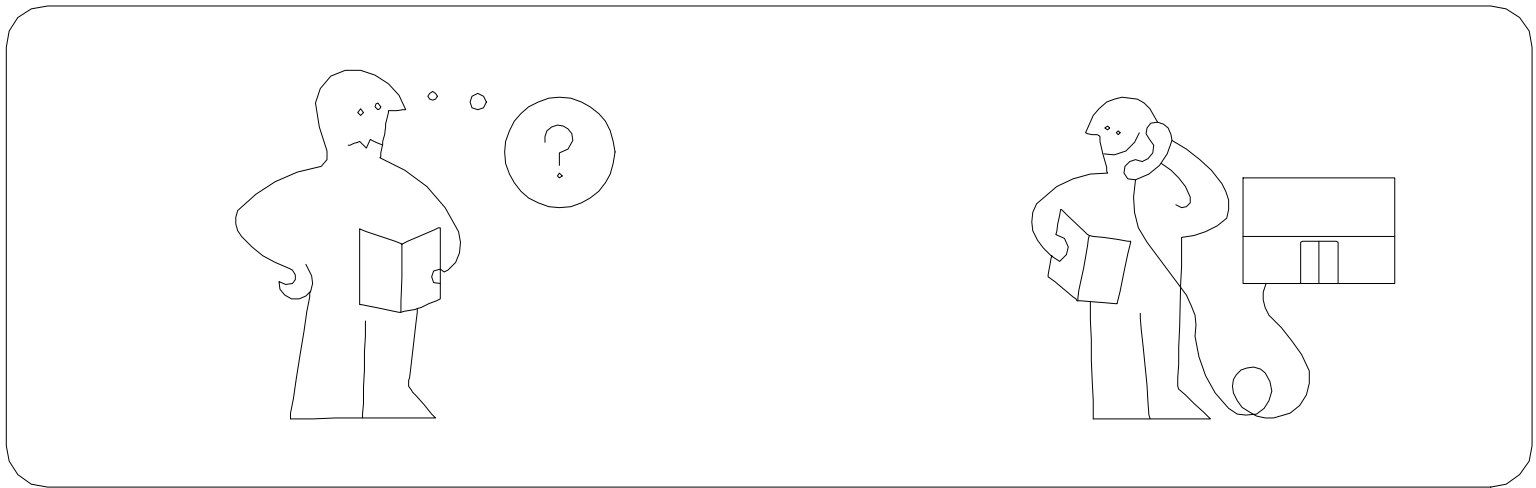
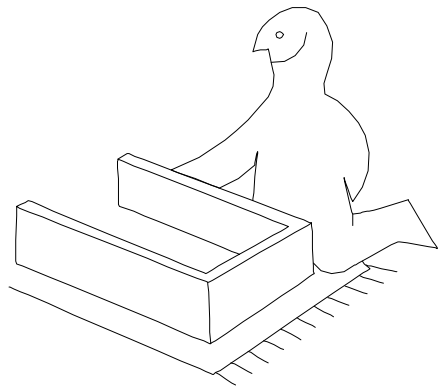
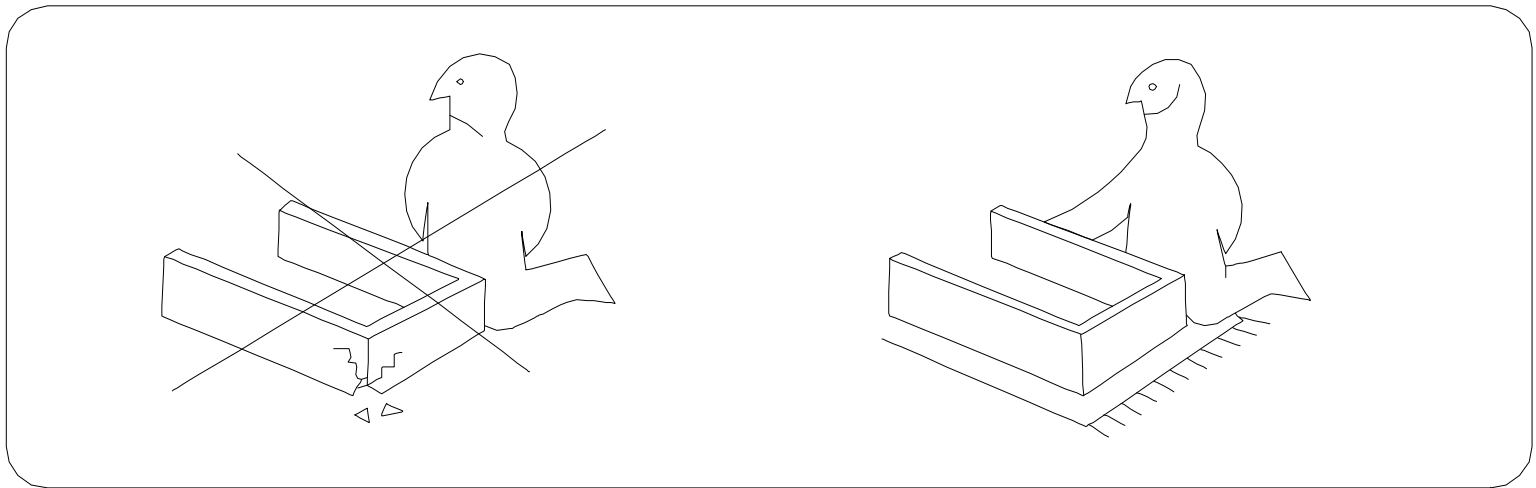
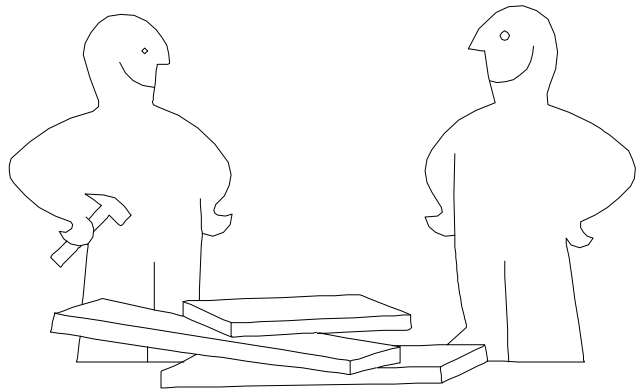
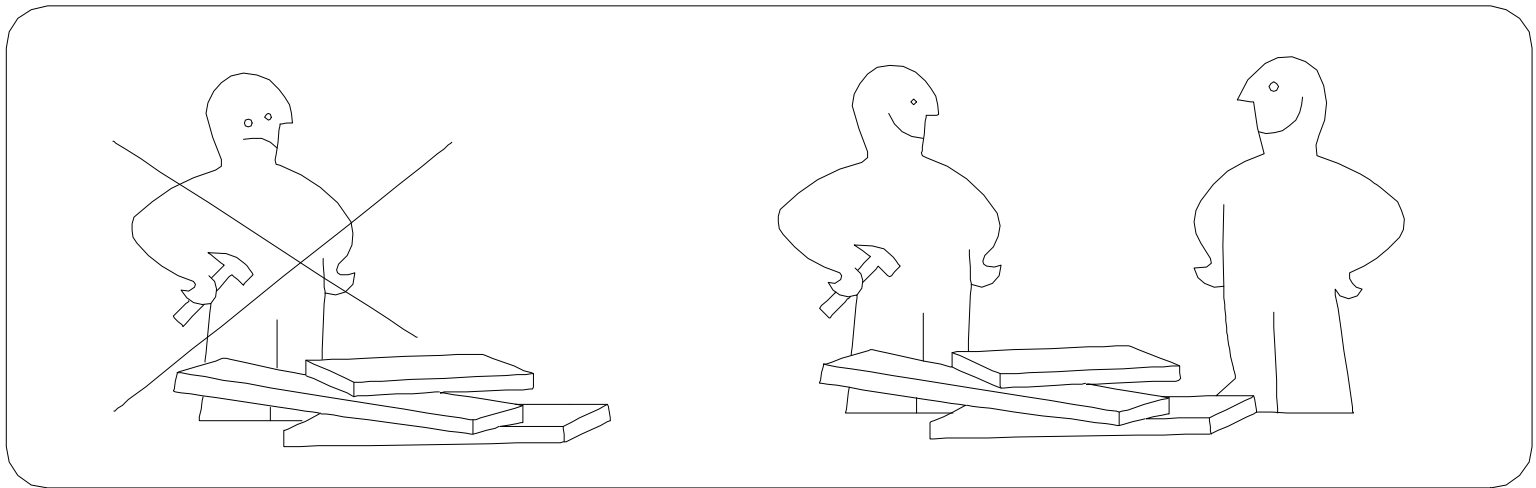
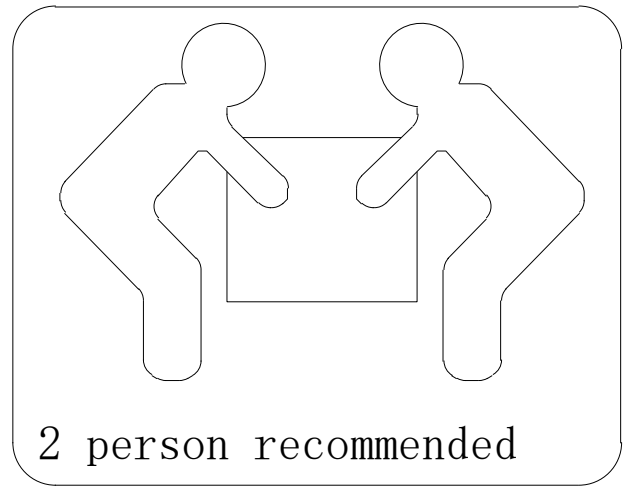
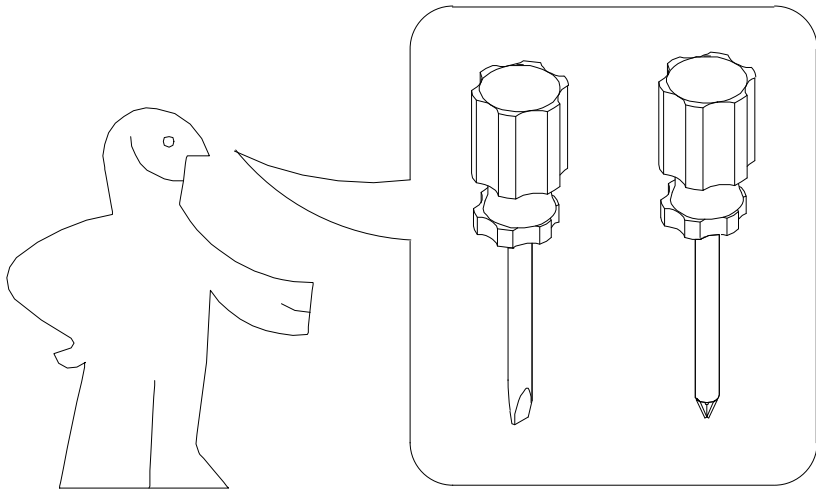


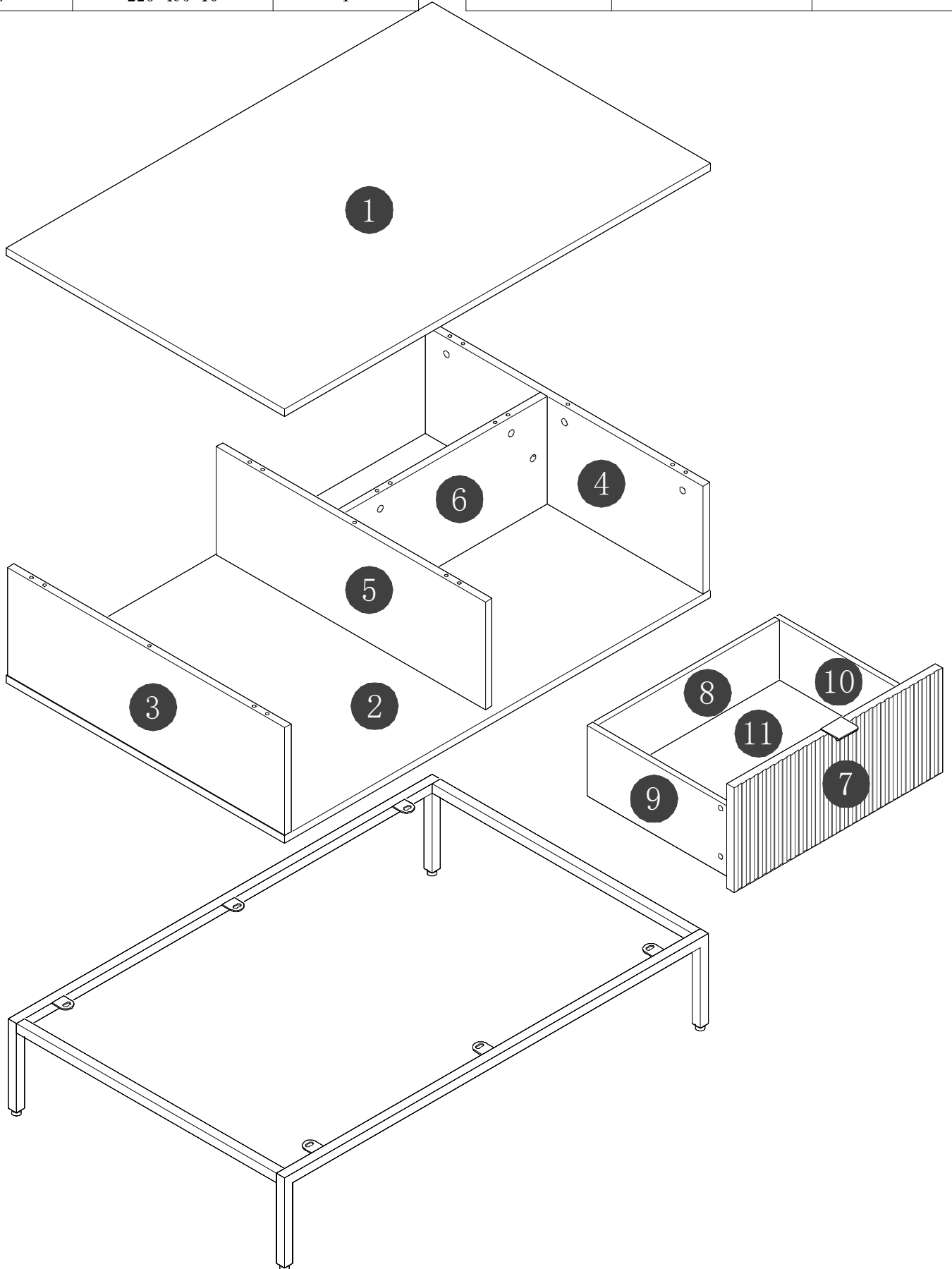
# Assembly Instructions





Panel No	Panel Sizes	Quantity
1	1040*680*16	1
2	1040*680*16	1
3	228*678*16	1
4	228*678*16	1
5	228*657*16	1
6	228*495*16	1

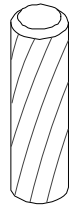
Panel No	Panel Sizes	Quantity
7	221*509*18	1
8	445*150*12	1
9	350*150*12	1
10	350*150*12	1
11	455*348*5	1



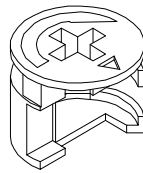
# Fittings



A=13



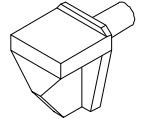
B=16



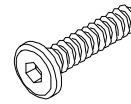
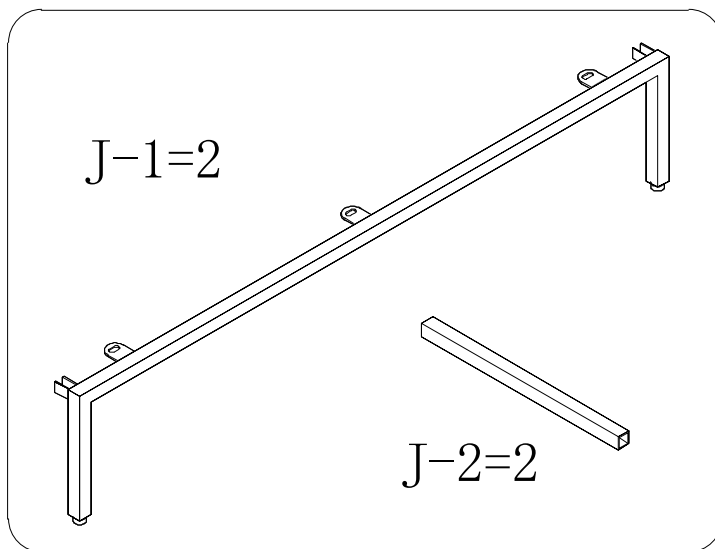
C=13



D=21



L=8

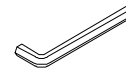


M6\*16

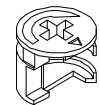
G=10



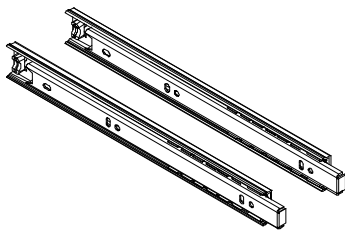
O=8



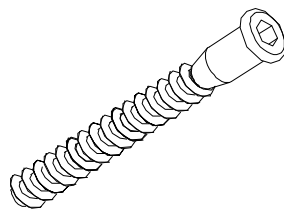
H=1



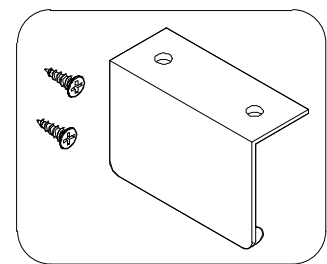
P=8



N=1



Q=11



U=1

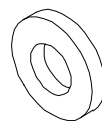


M3.5\*12

V1=8

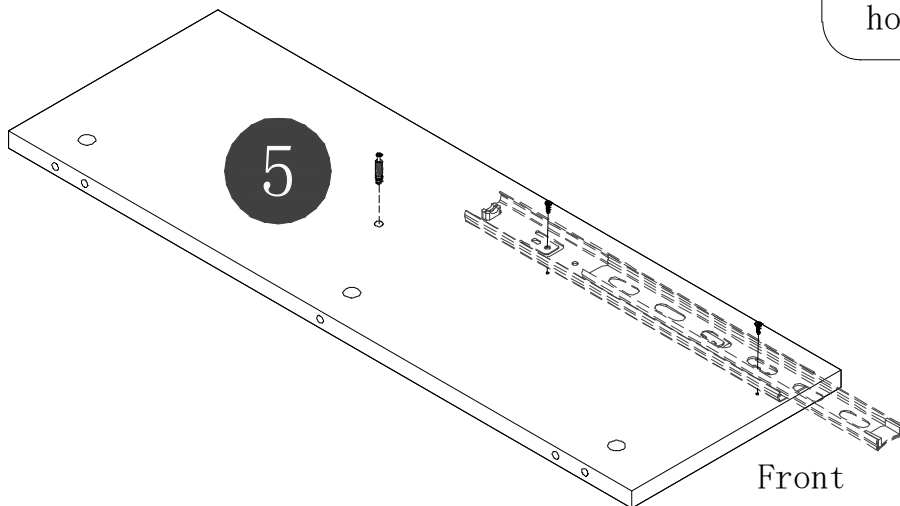
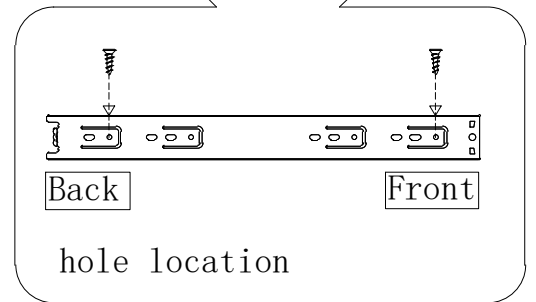
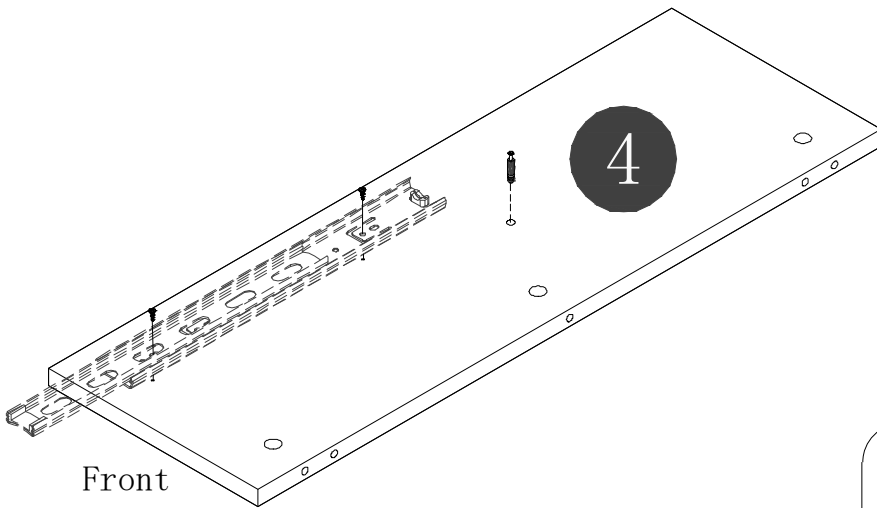
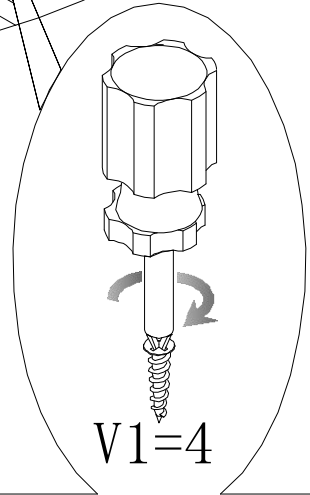
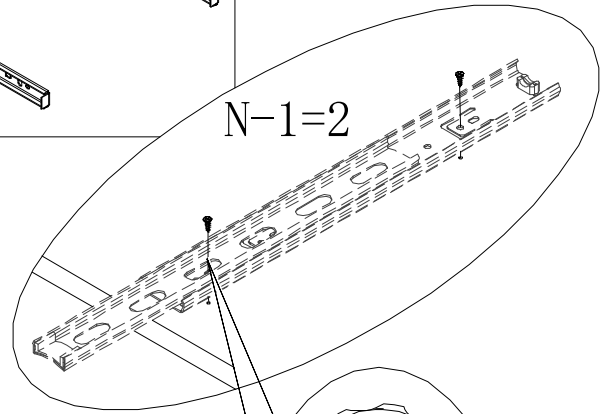
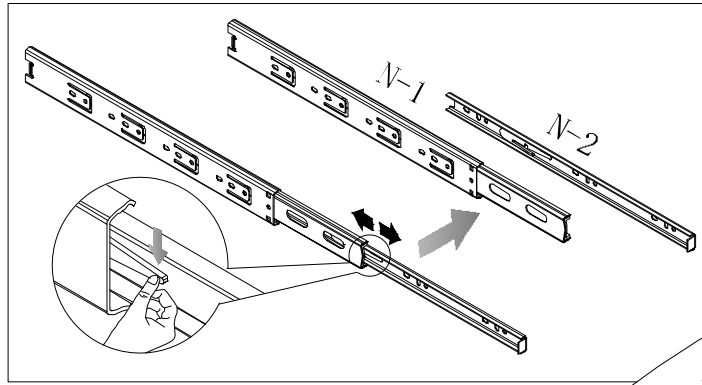


Z1=6

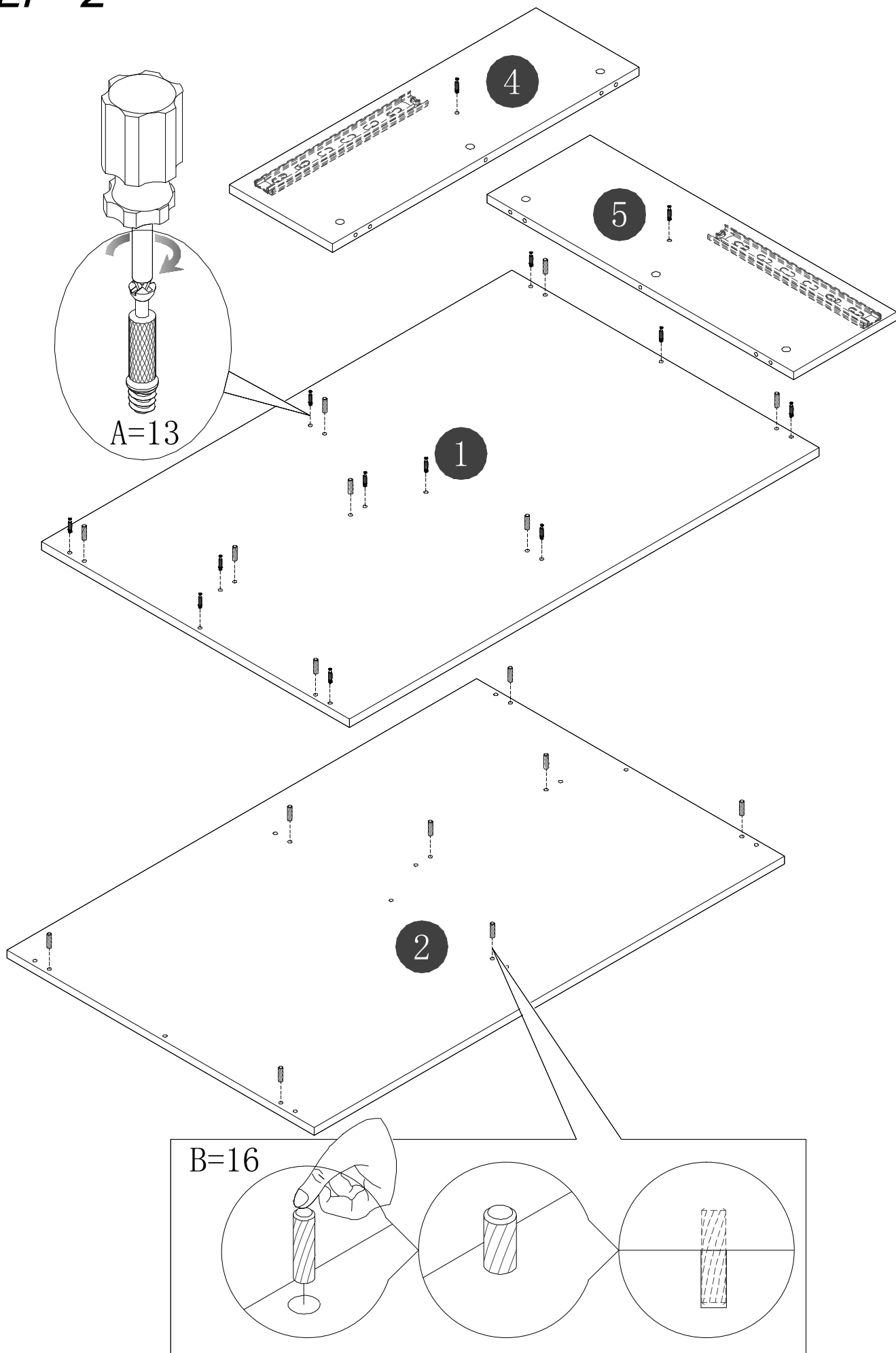


Z2=6

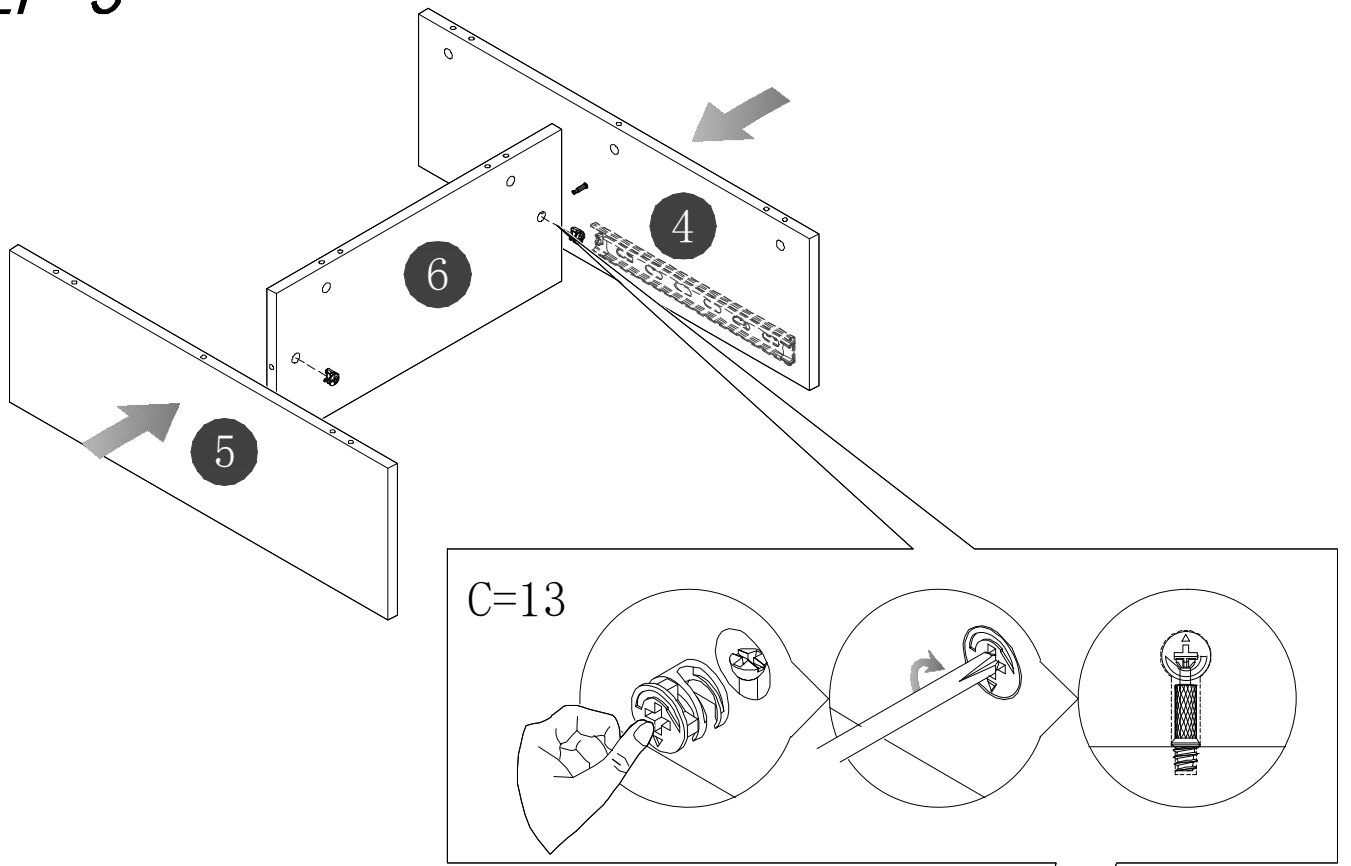
# STEP 1



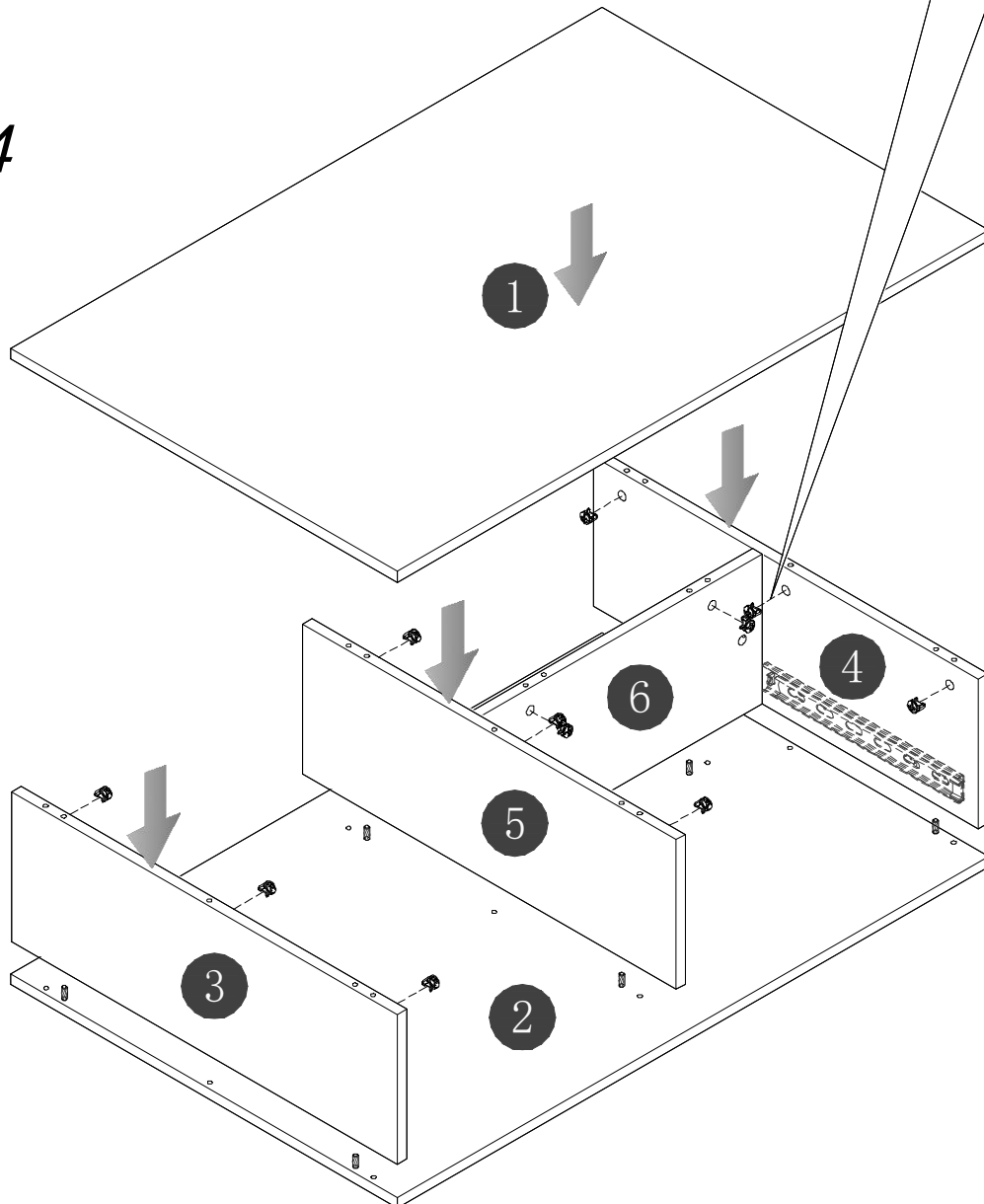
# STEP 2



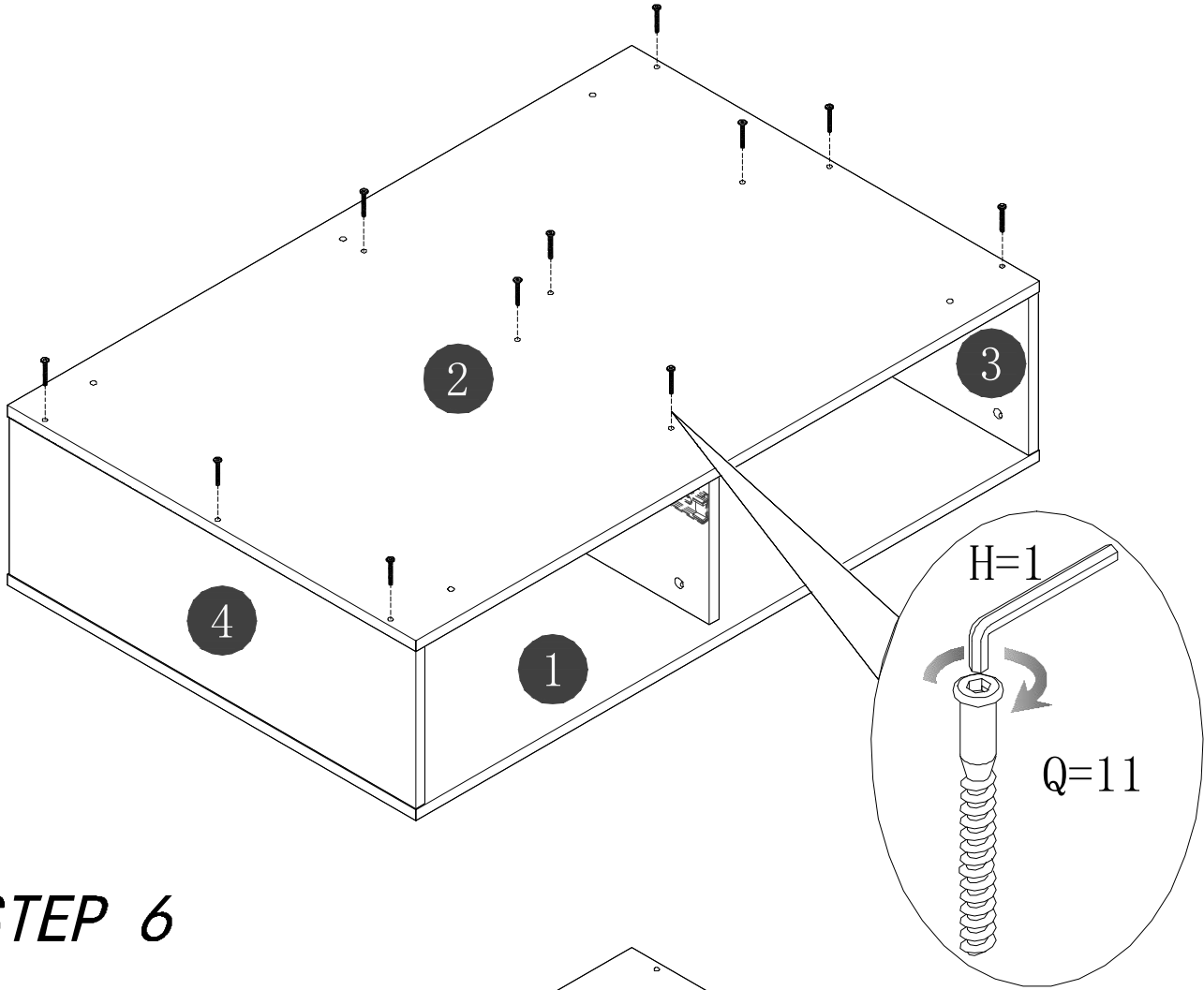
# STEP 3



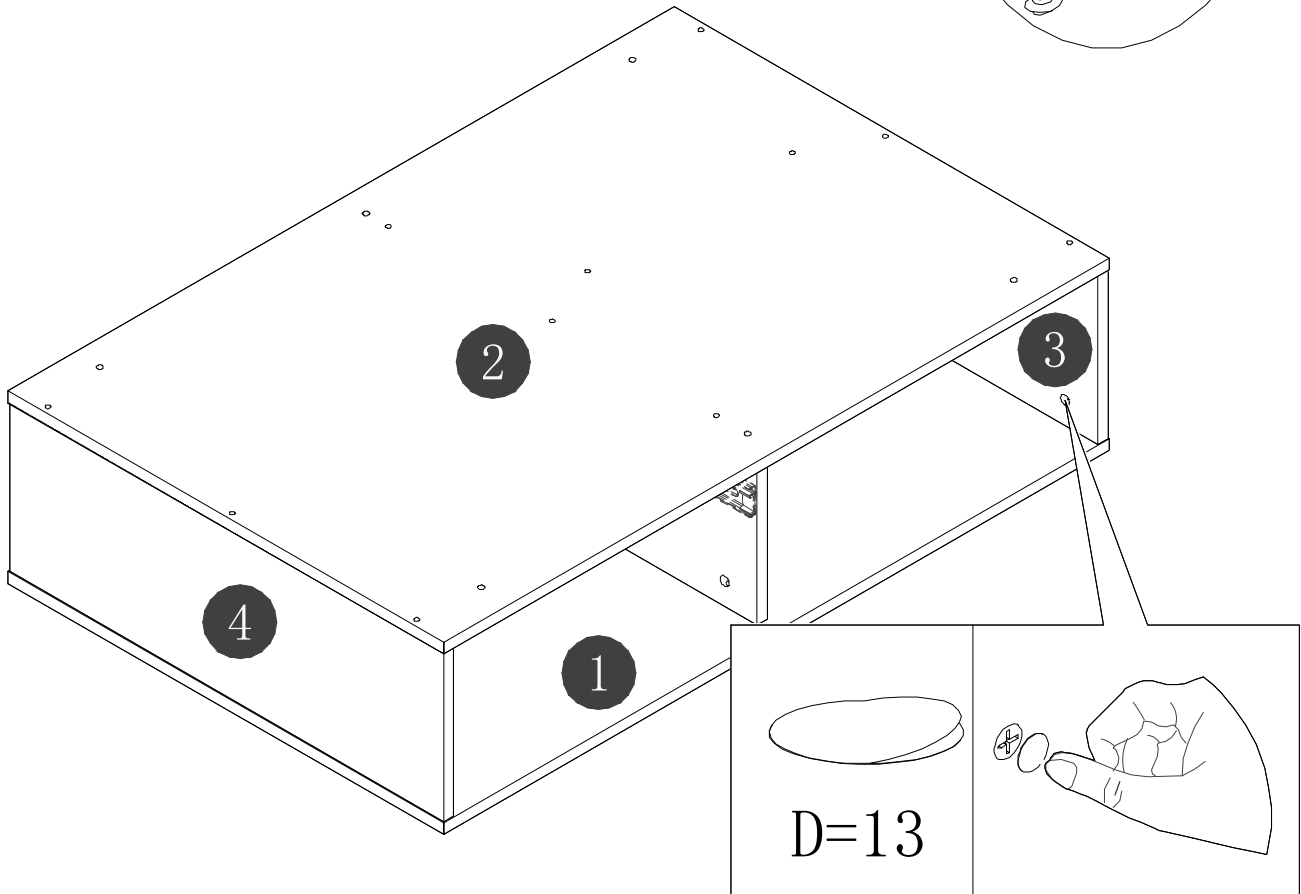
# STEP 4



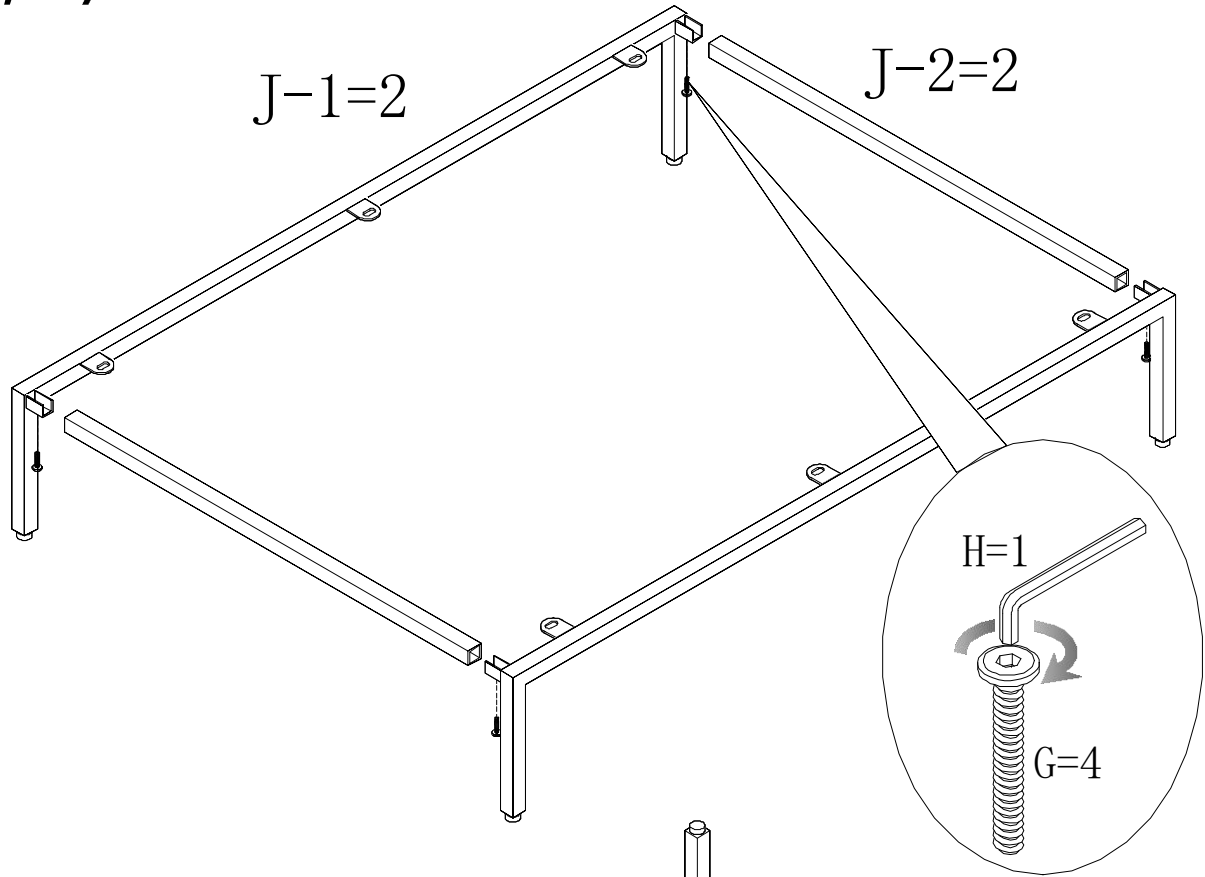
# STEP 5



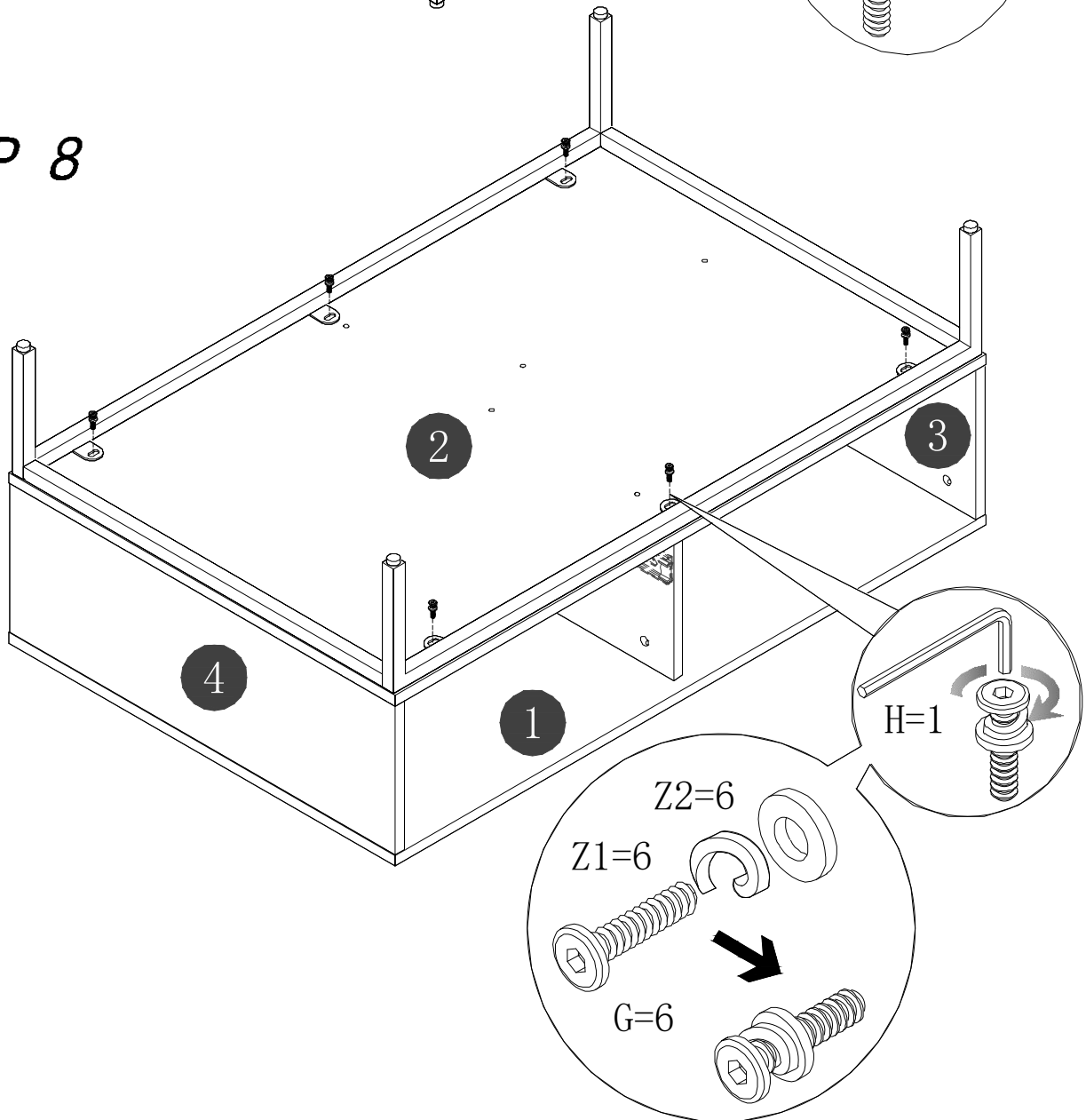
# STEP 6



# STEP 7

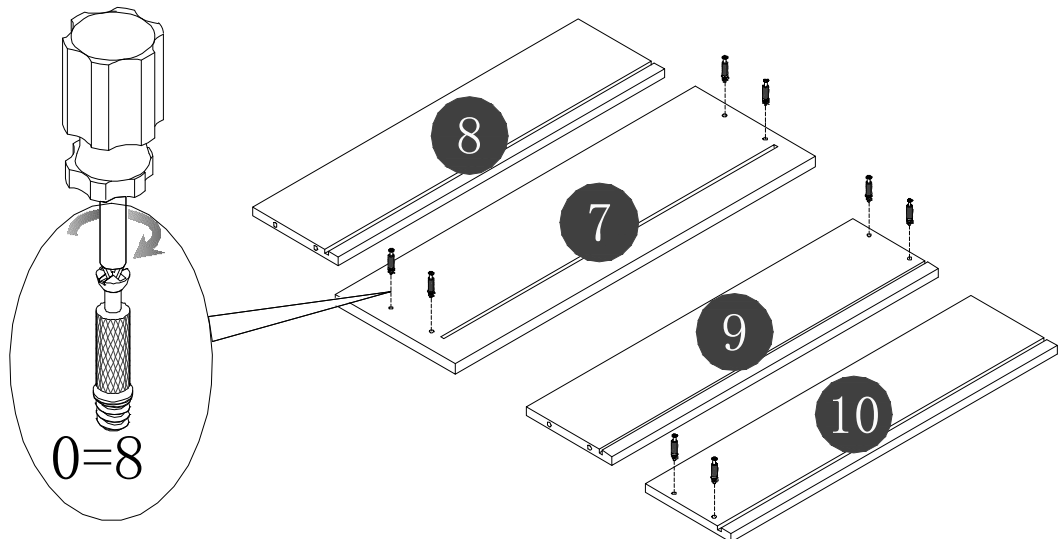


# STEP 8

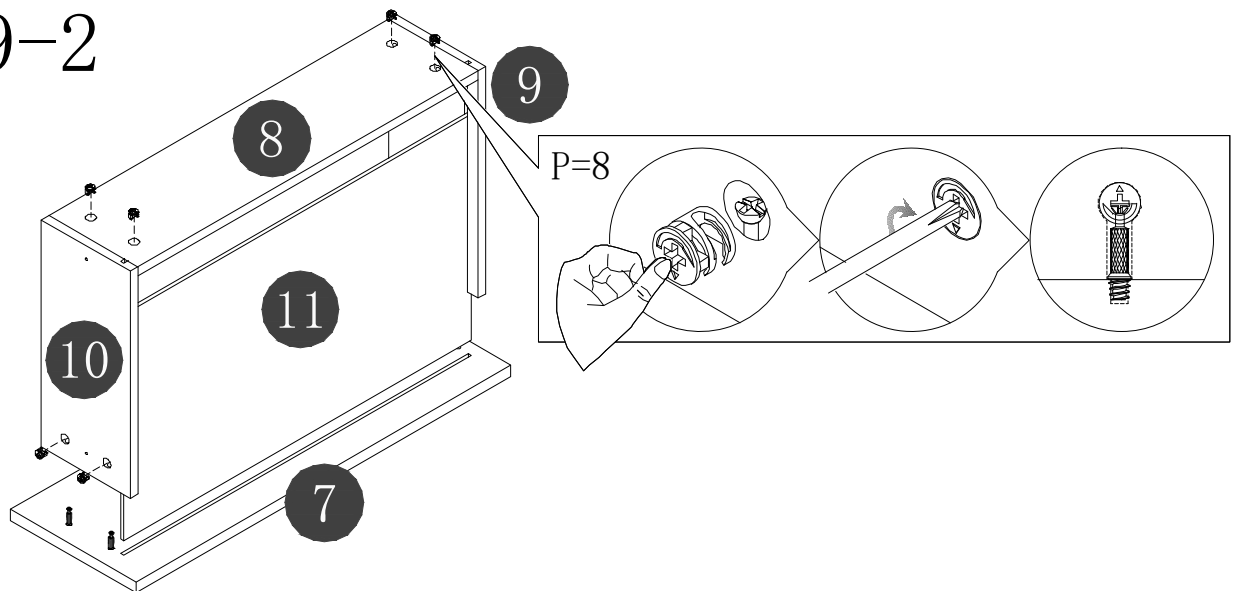


# STEP 9

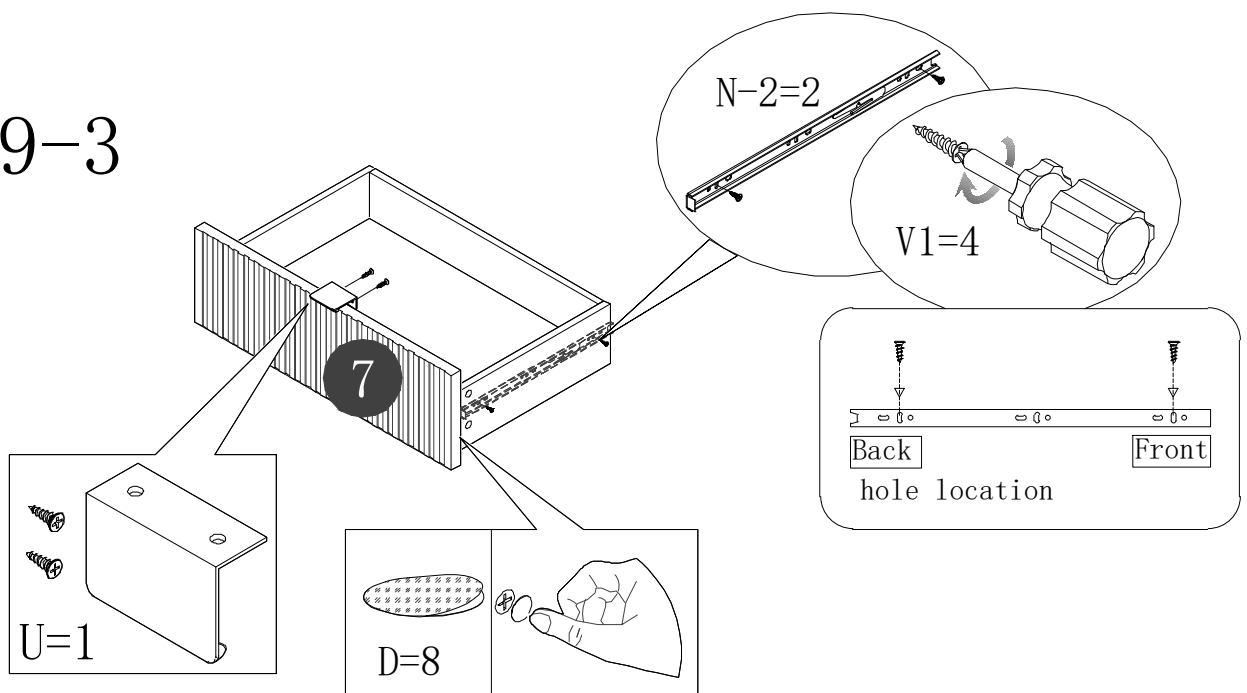
9-1



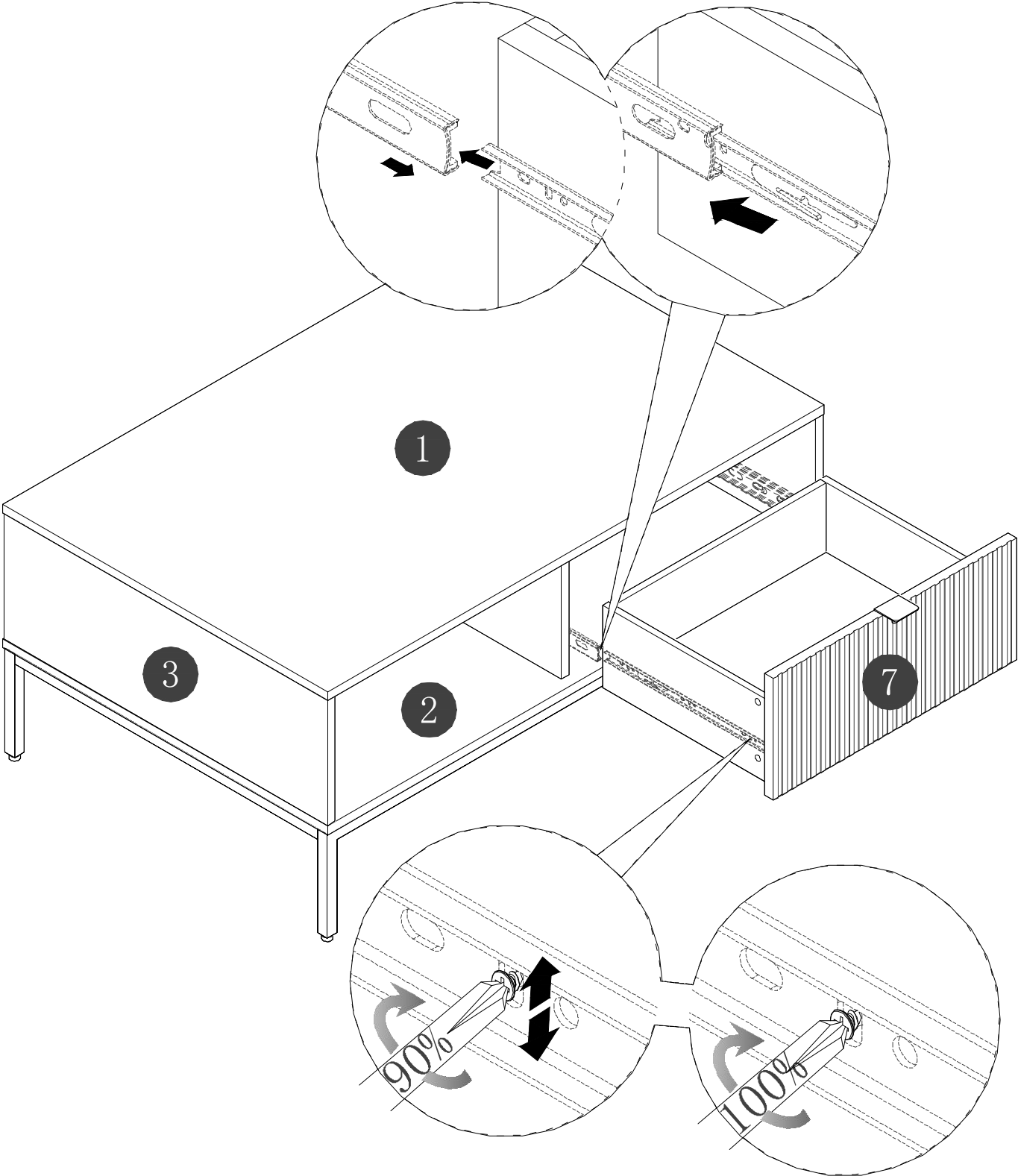
9-2



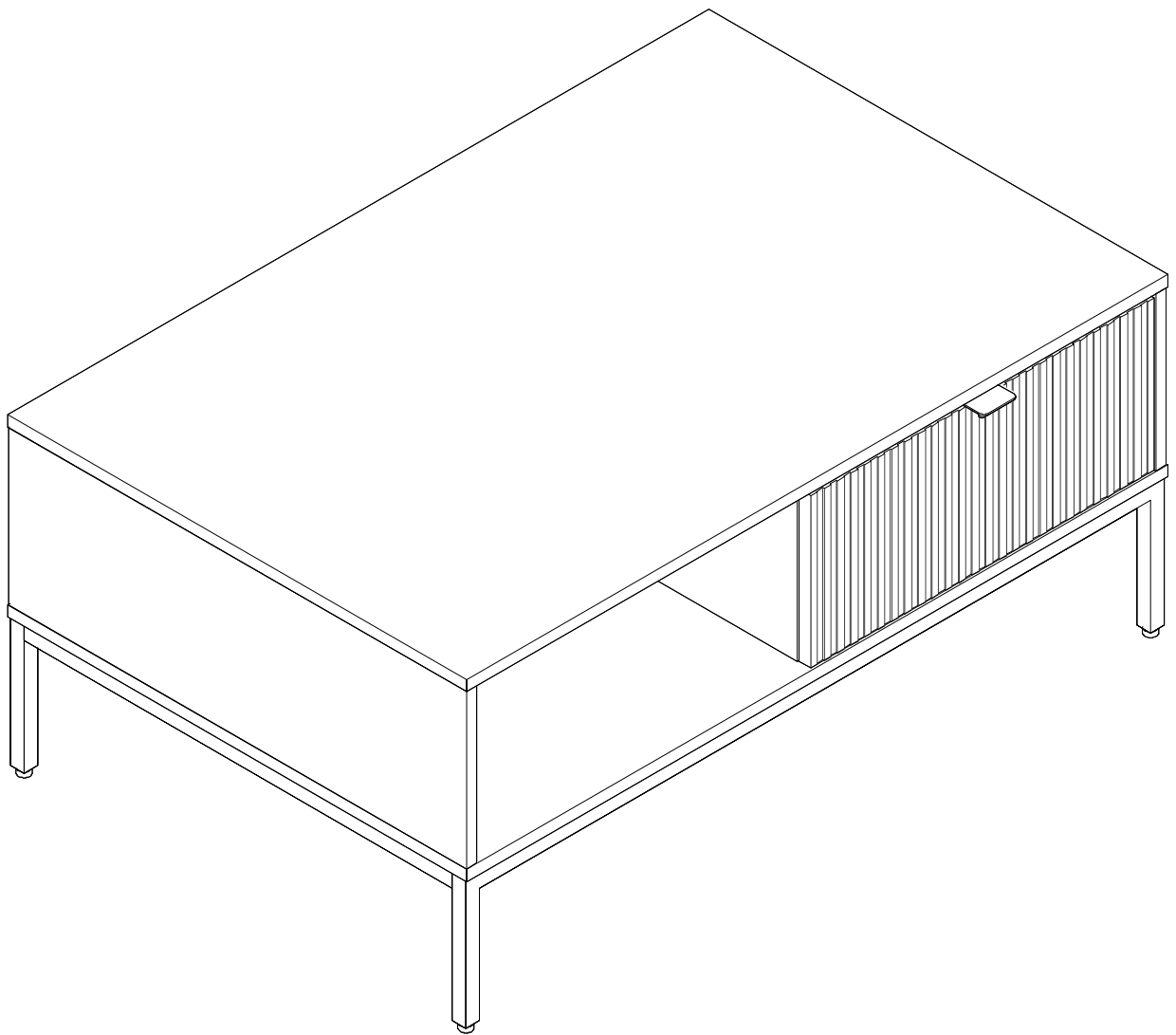
9-3



# STEP 10



# STEP 11



*Finish*