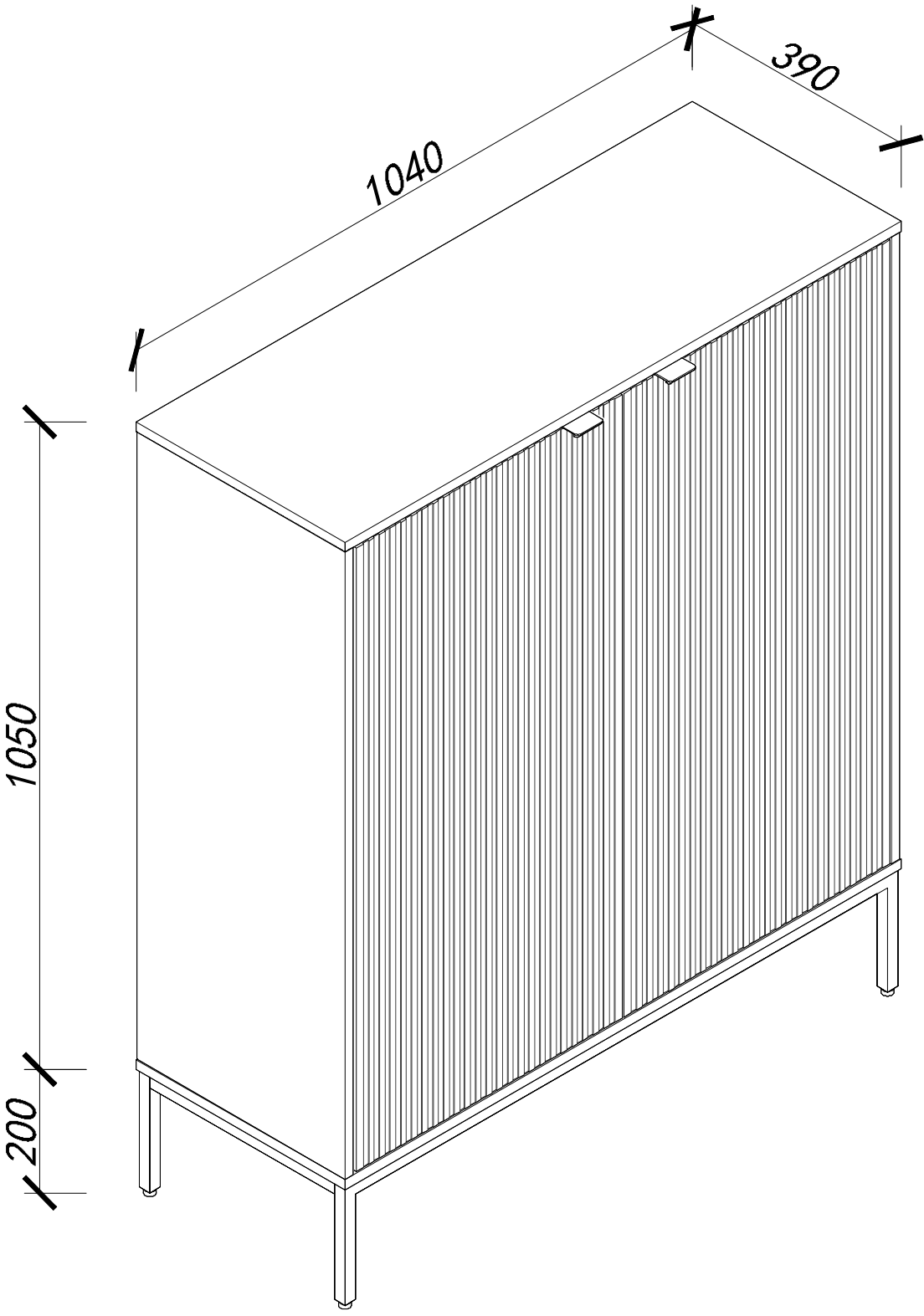
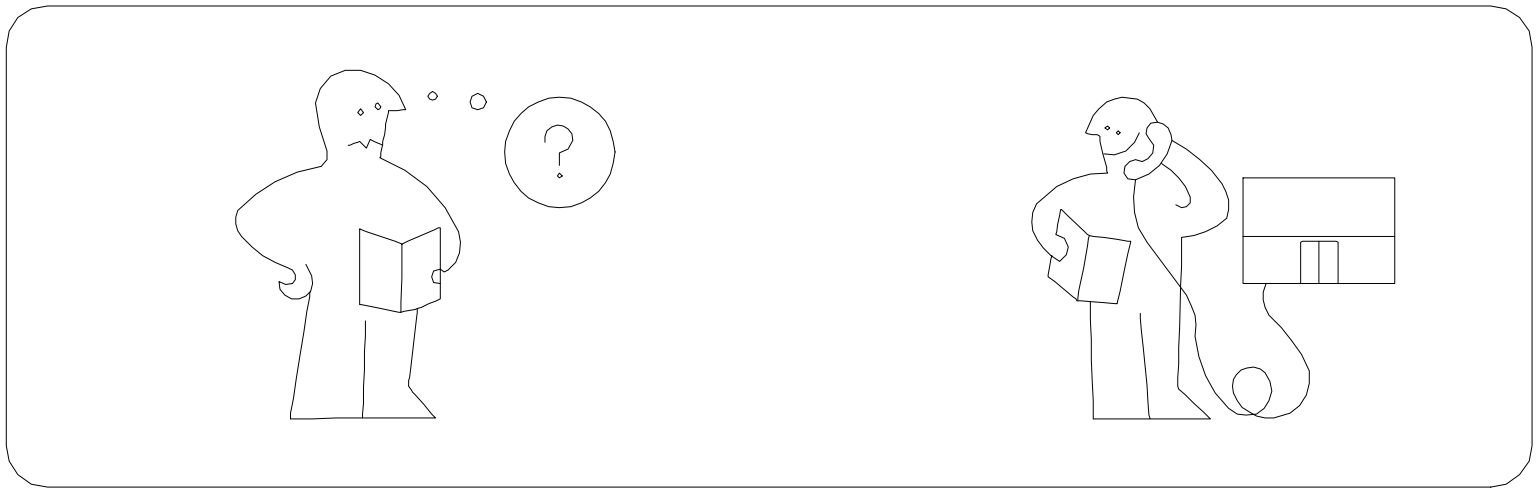
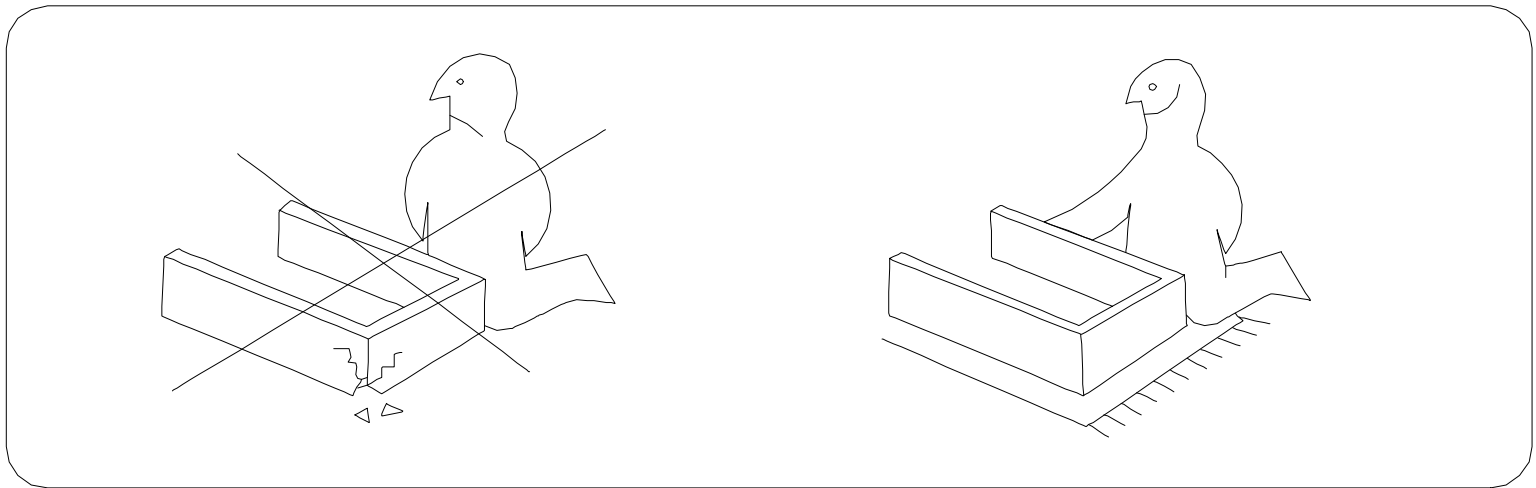
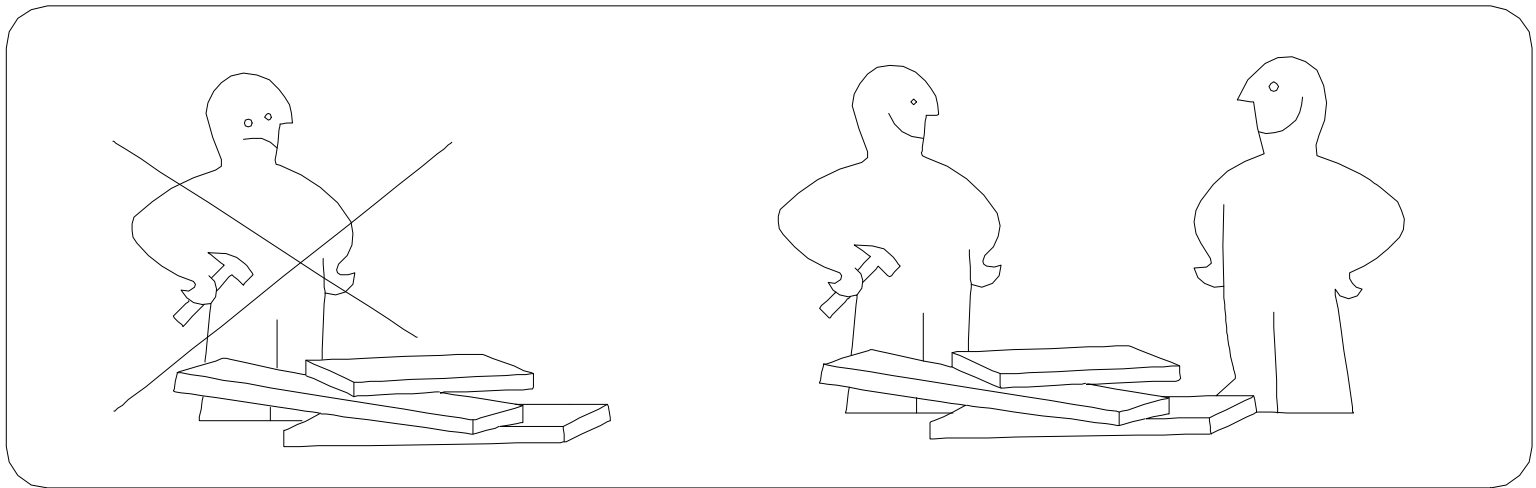
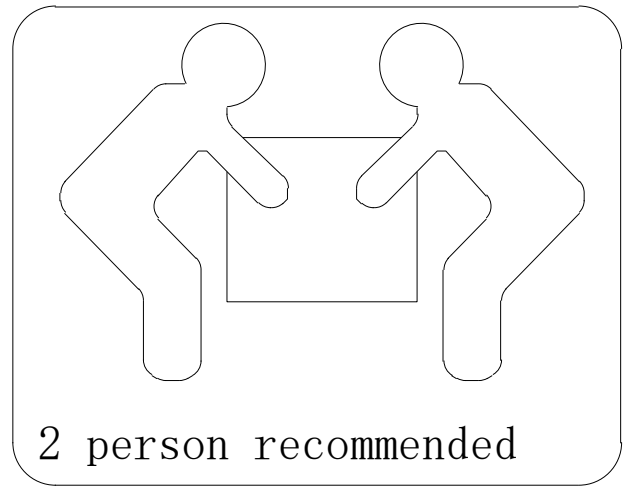
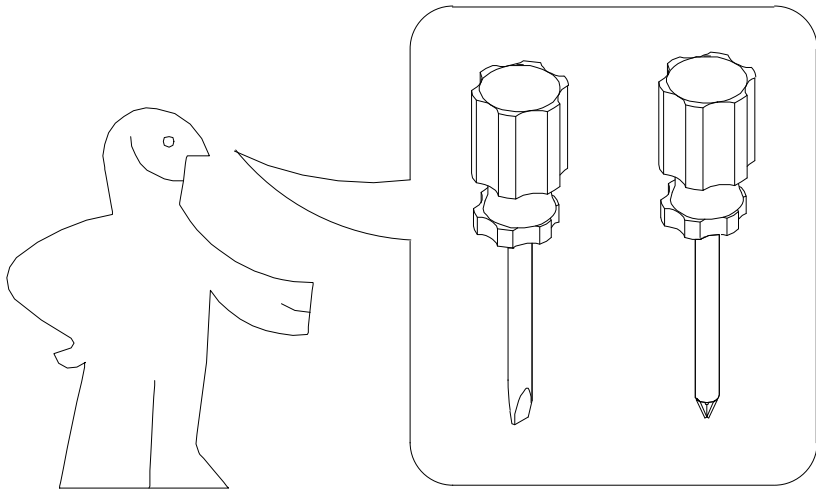


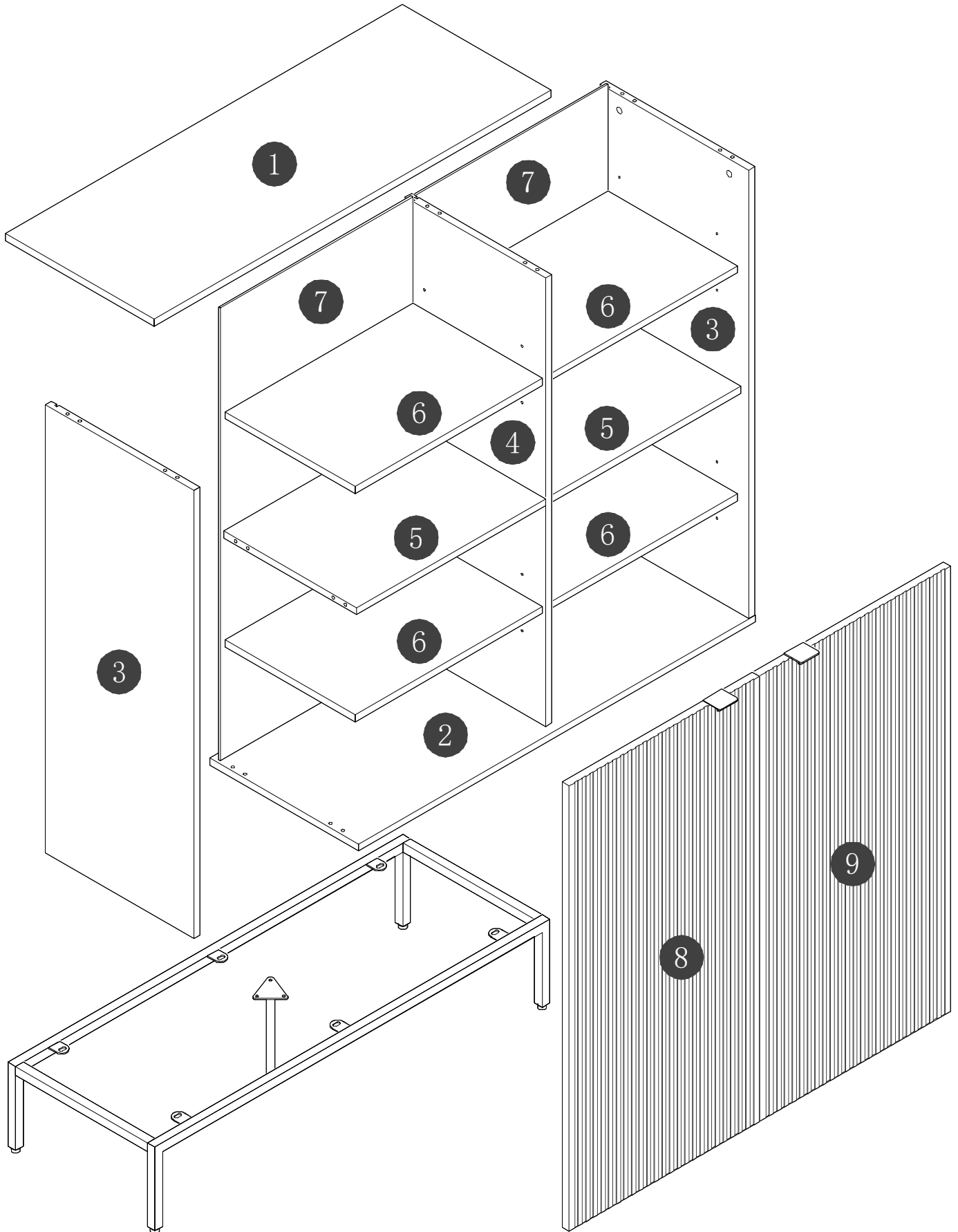
# Assembly Instructions





Panel No	Panel Sizes	Quantity
1	1040*390*16	1
2	1040*390*16	1
3	1018*389*16	2
4	1018*368*16	1
5	495*348*16	2

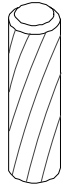
Panel No	Panel Sizes	Quantity
6	492*340*16	4
7	1028*505*5	2
8	1011*498*18	1
9	1011*498*18	1



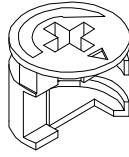
# Fittings



A=14



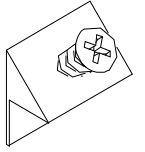
B=20



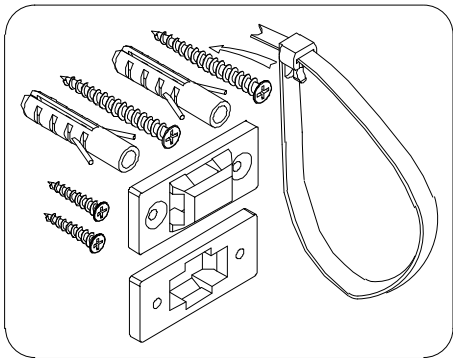
C=14



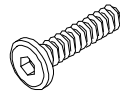
D=14



E=12



F=1

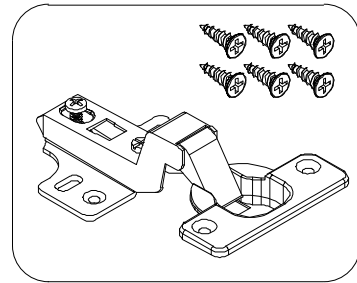


M6\*16

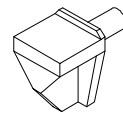
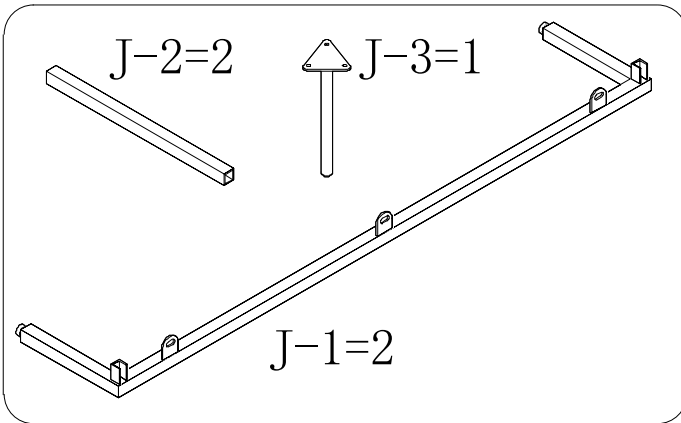
G=13



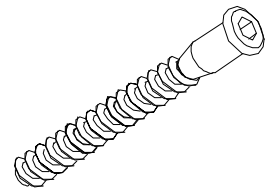
H=1



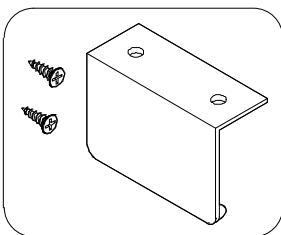
I3=6



L=16



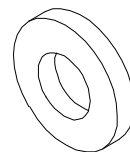
Q=6



U=2

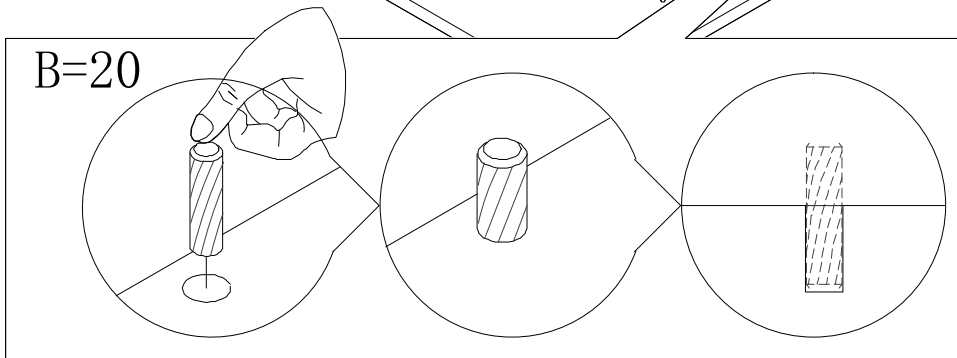
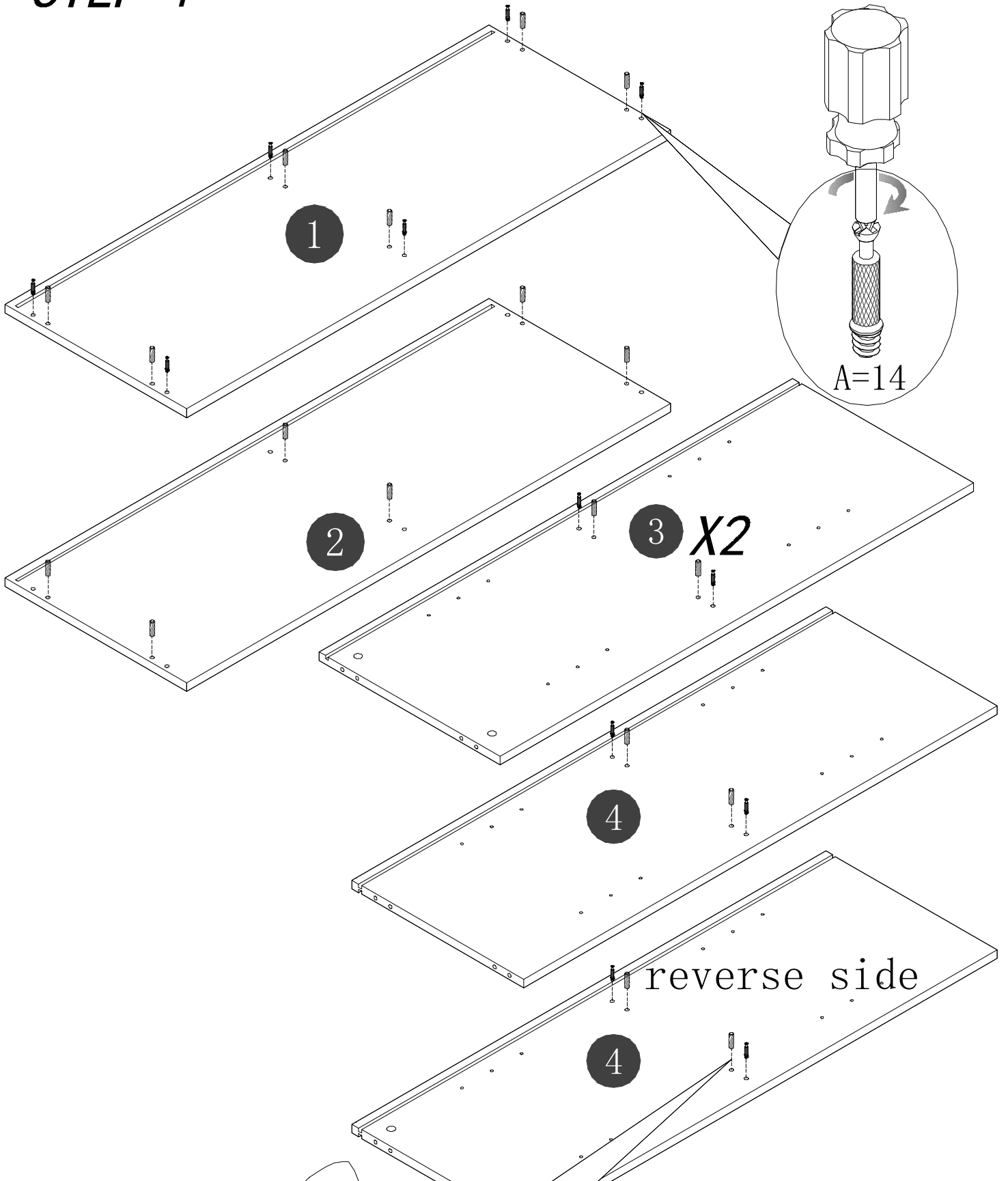


Z1=9

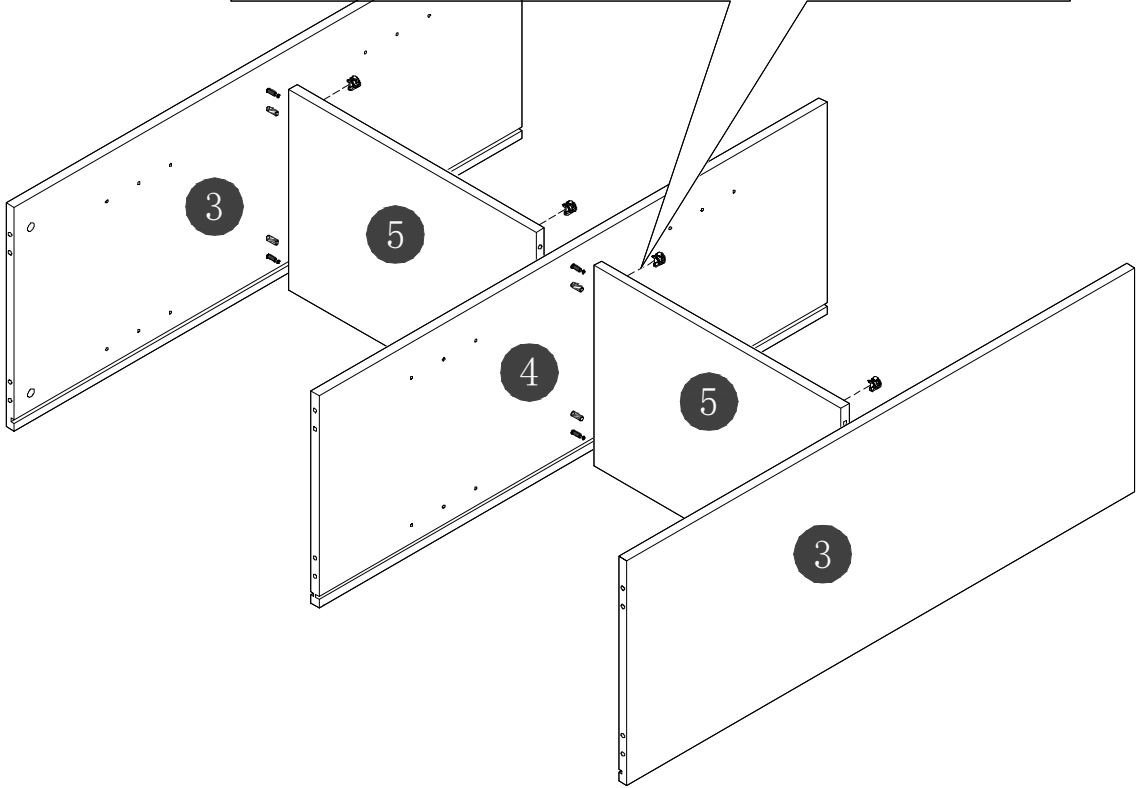
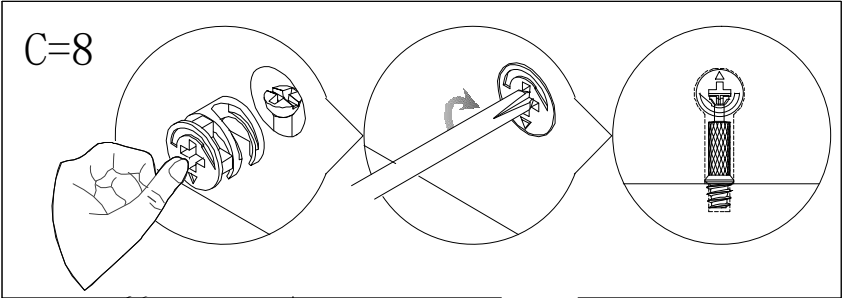


Z2=9

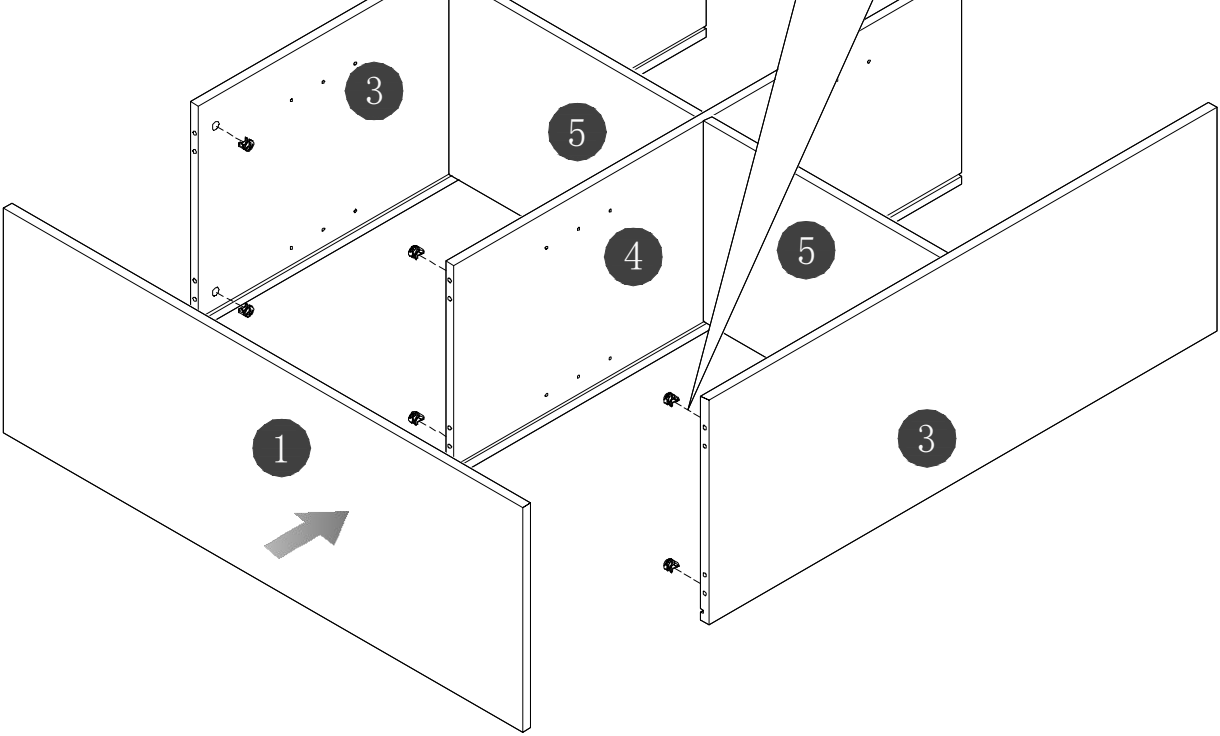
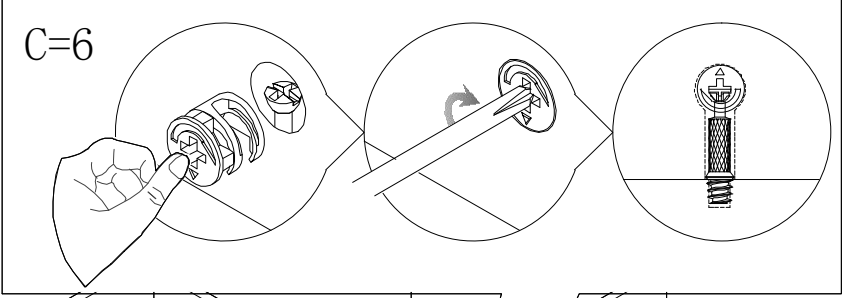
# STEP 1



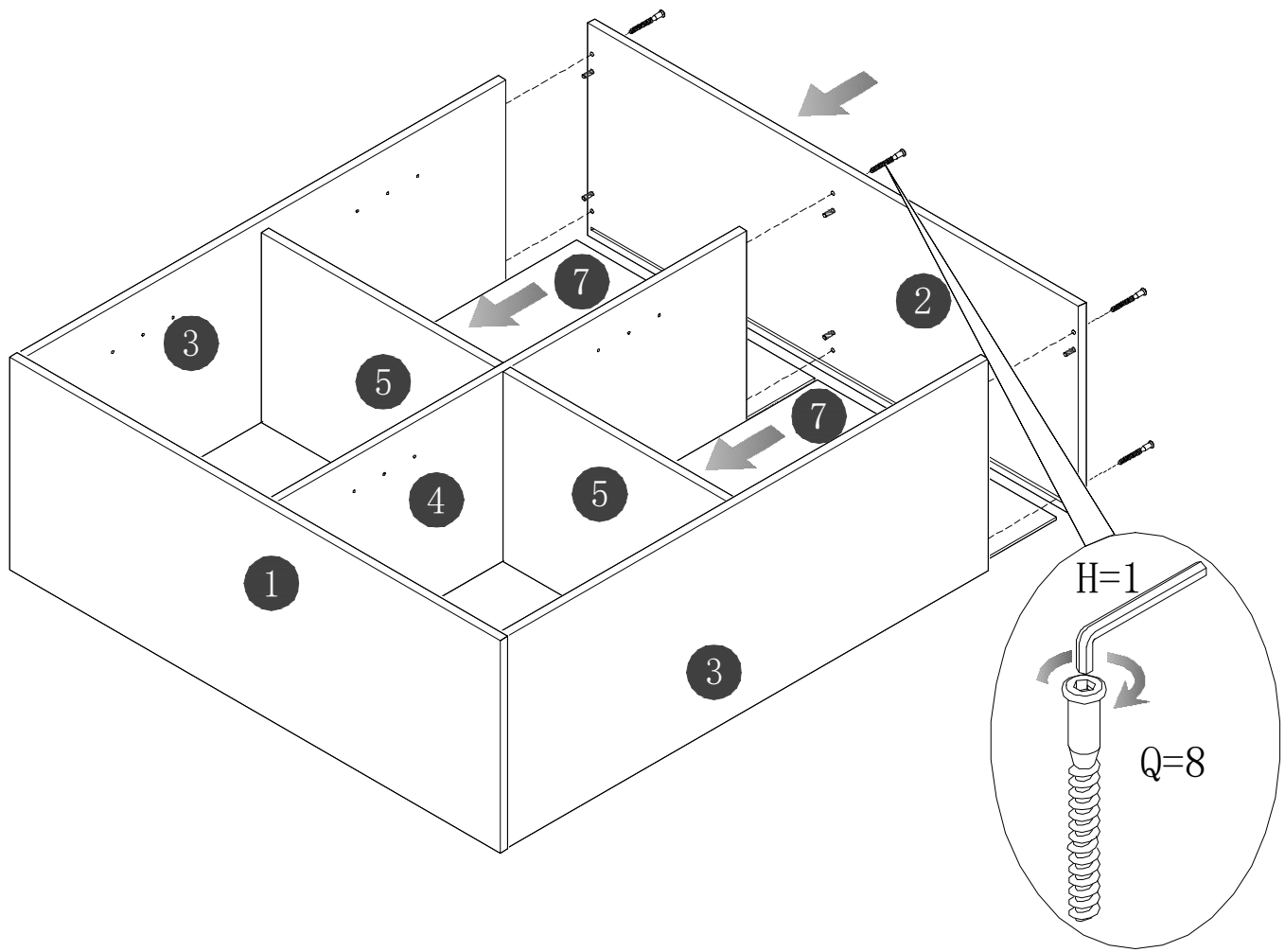
# STEP 2



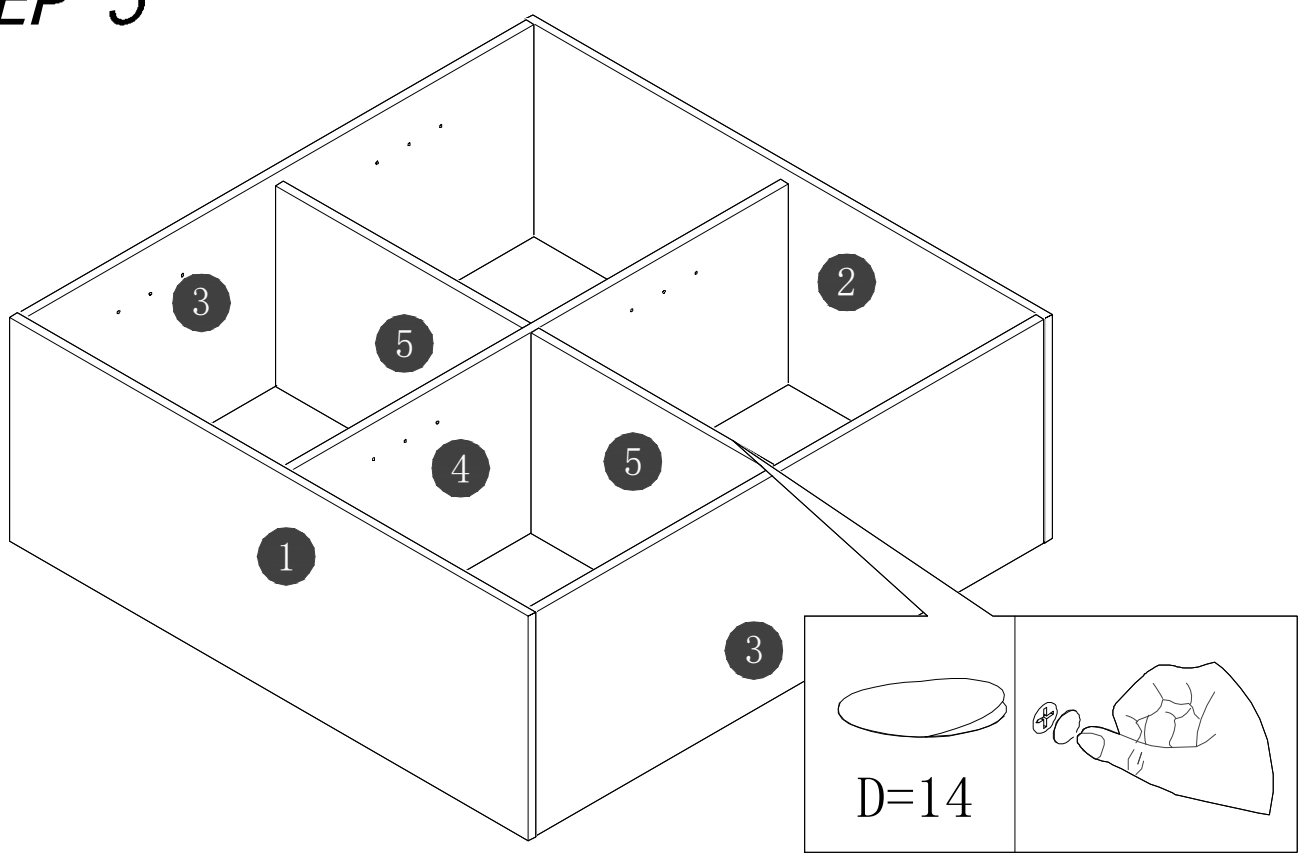
# STEP 3



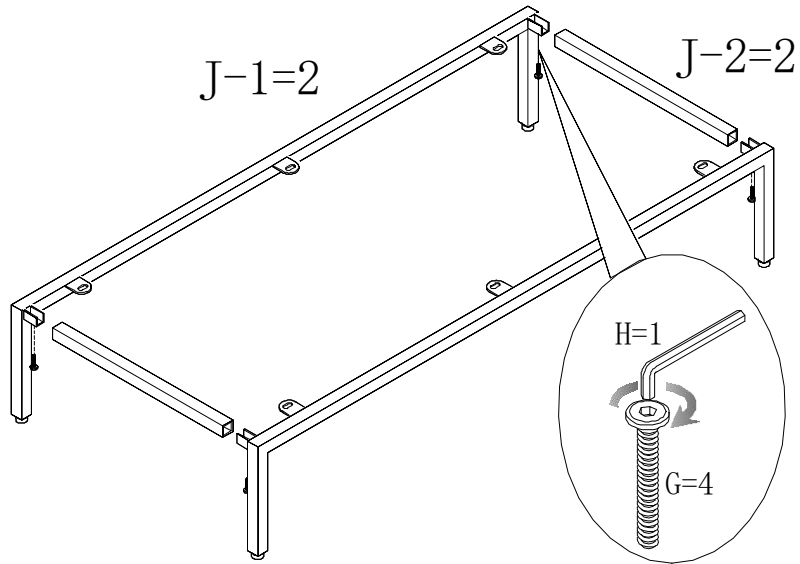
# STEP 4



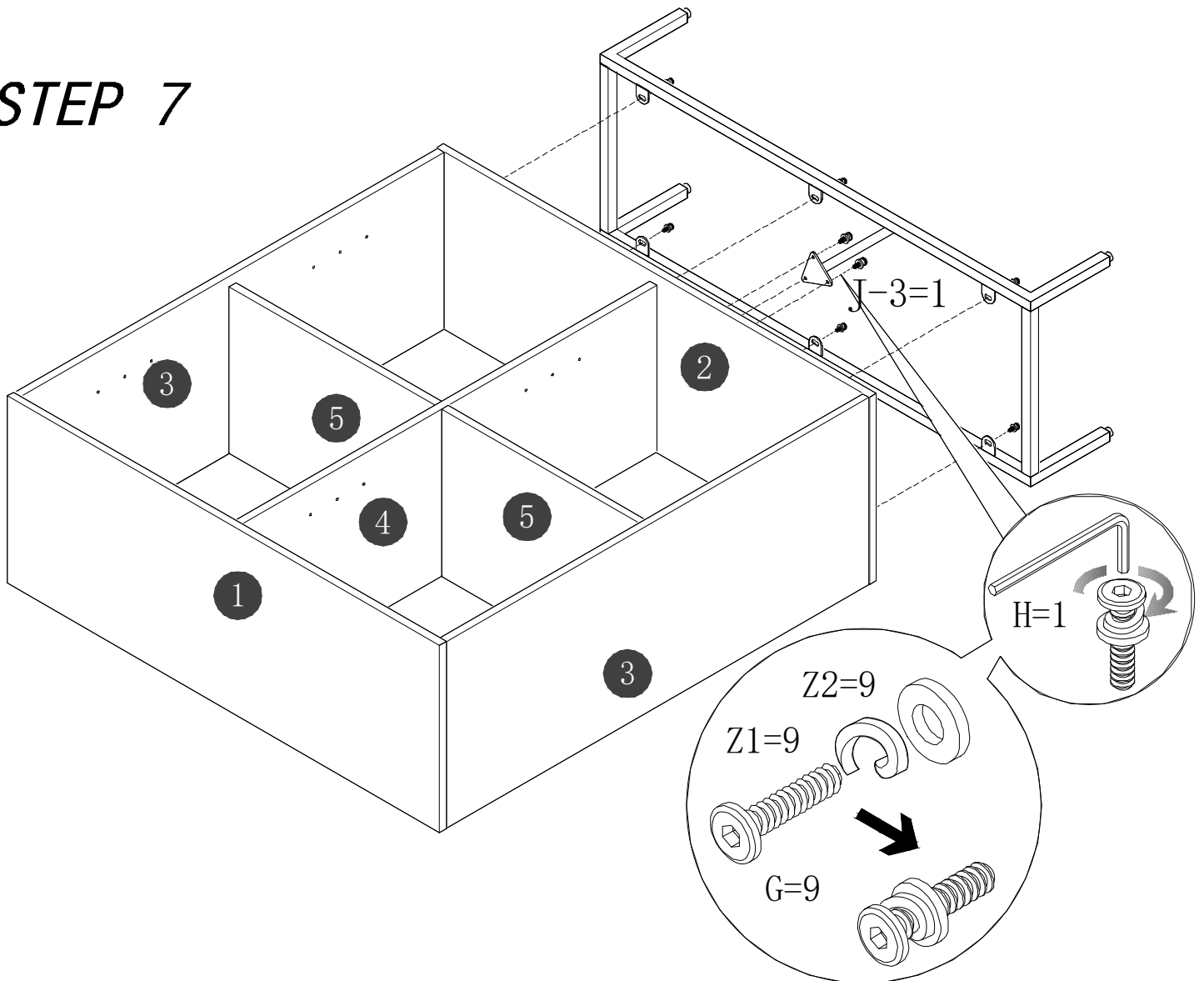
# STEP 5



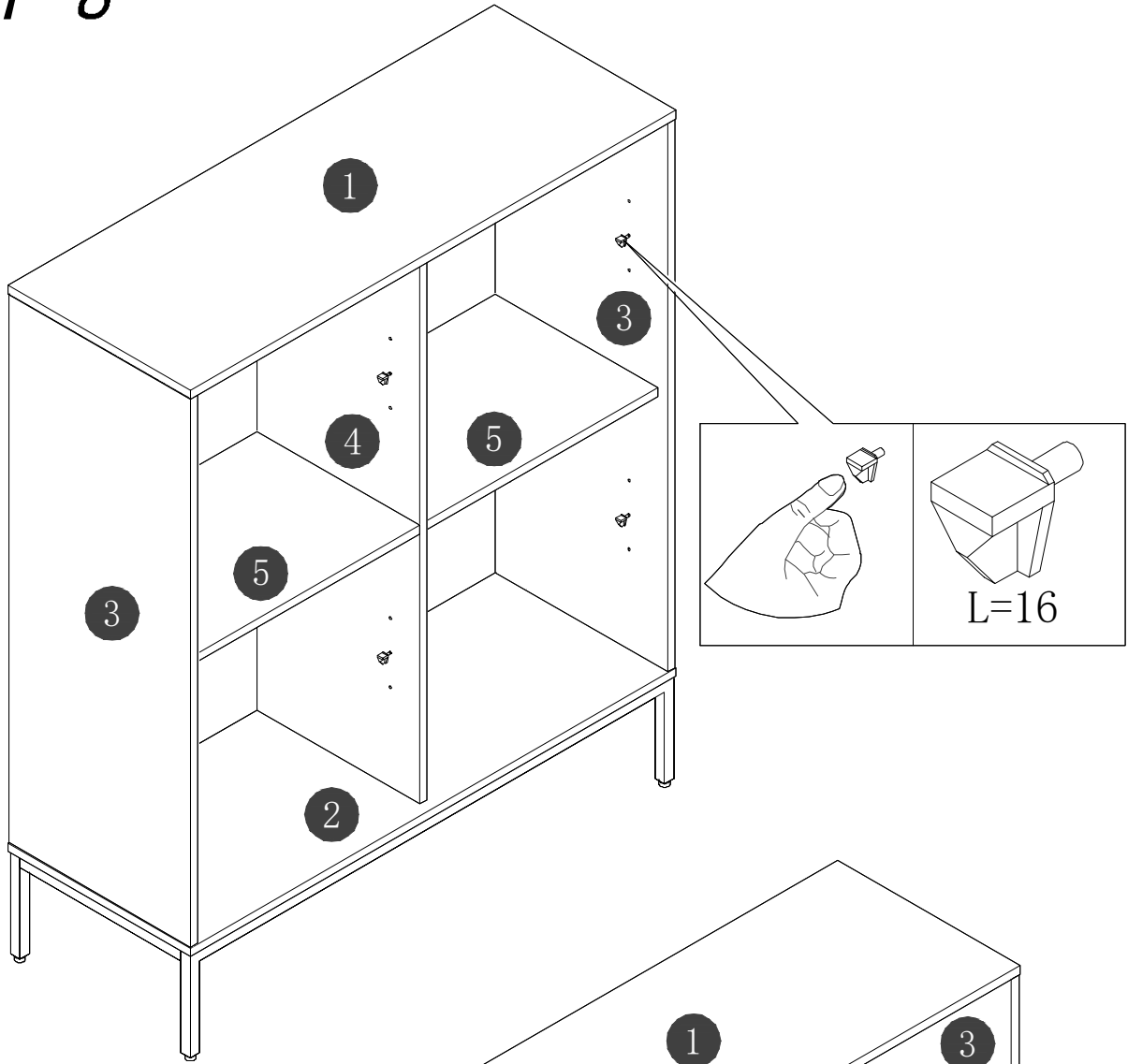
# STEP 6



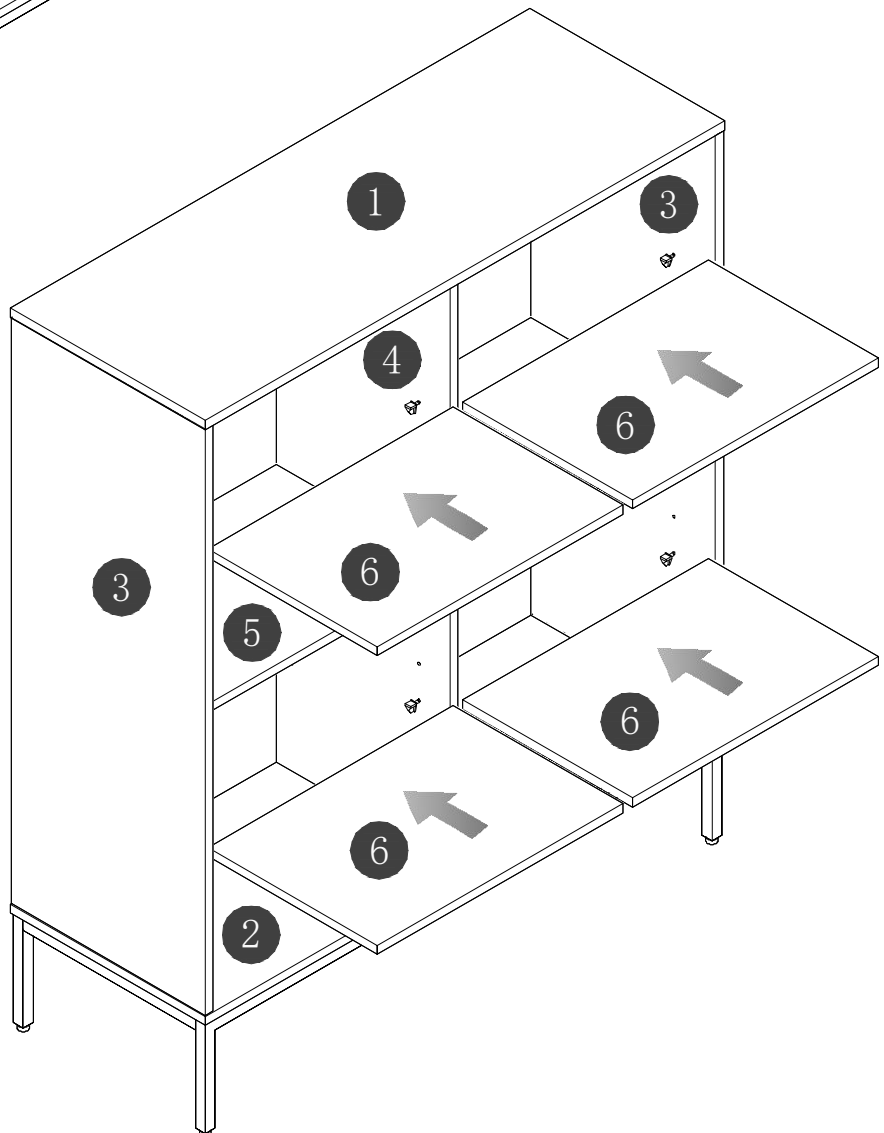
# STEP 7



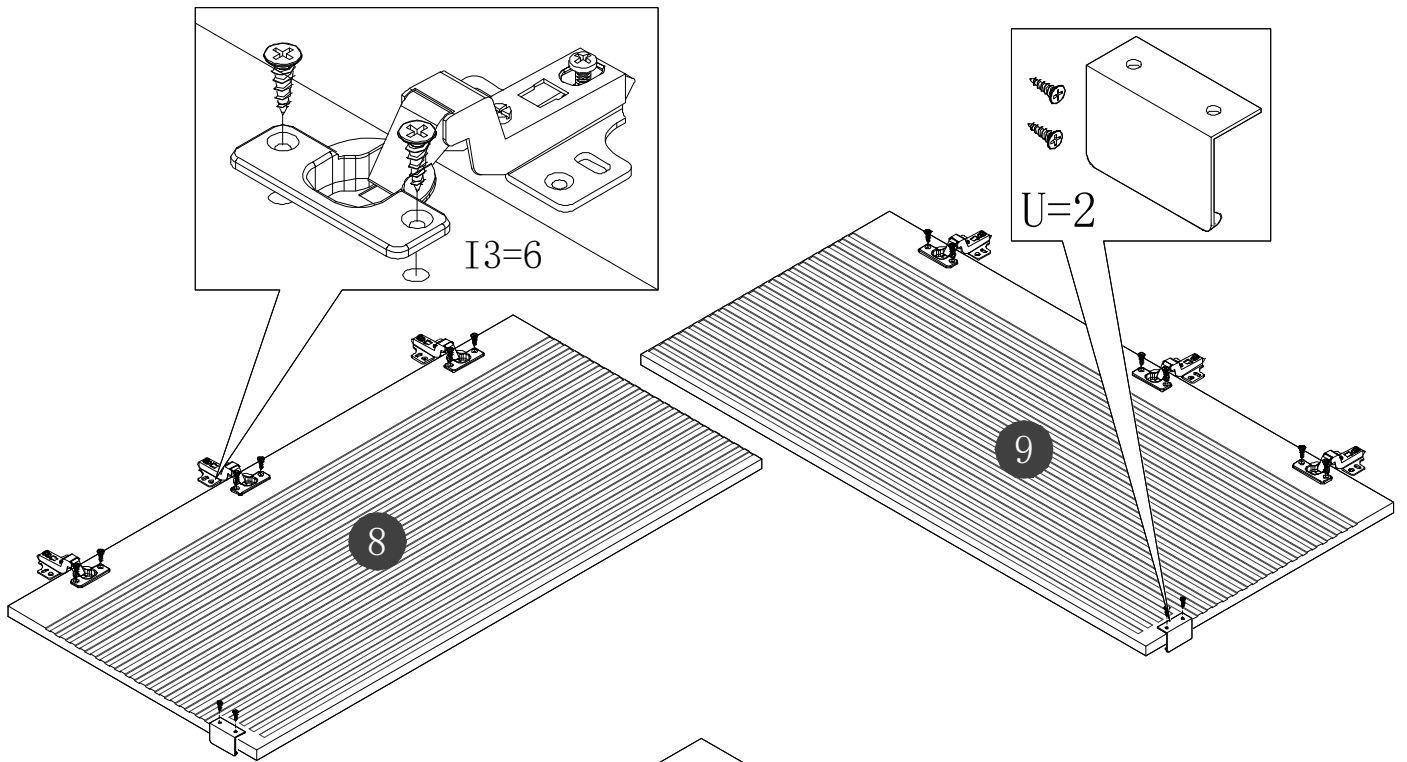
# STEP 8



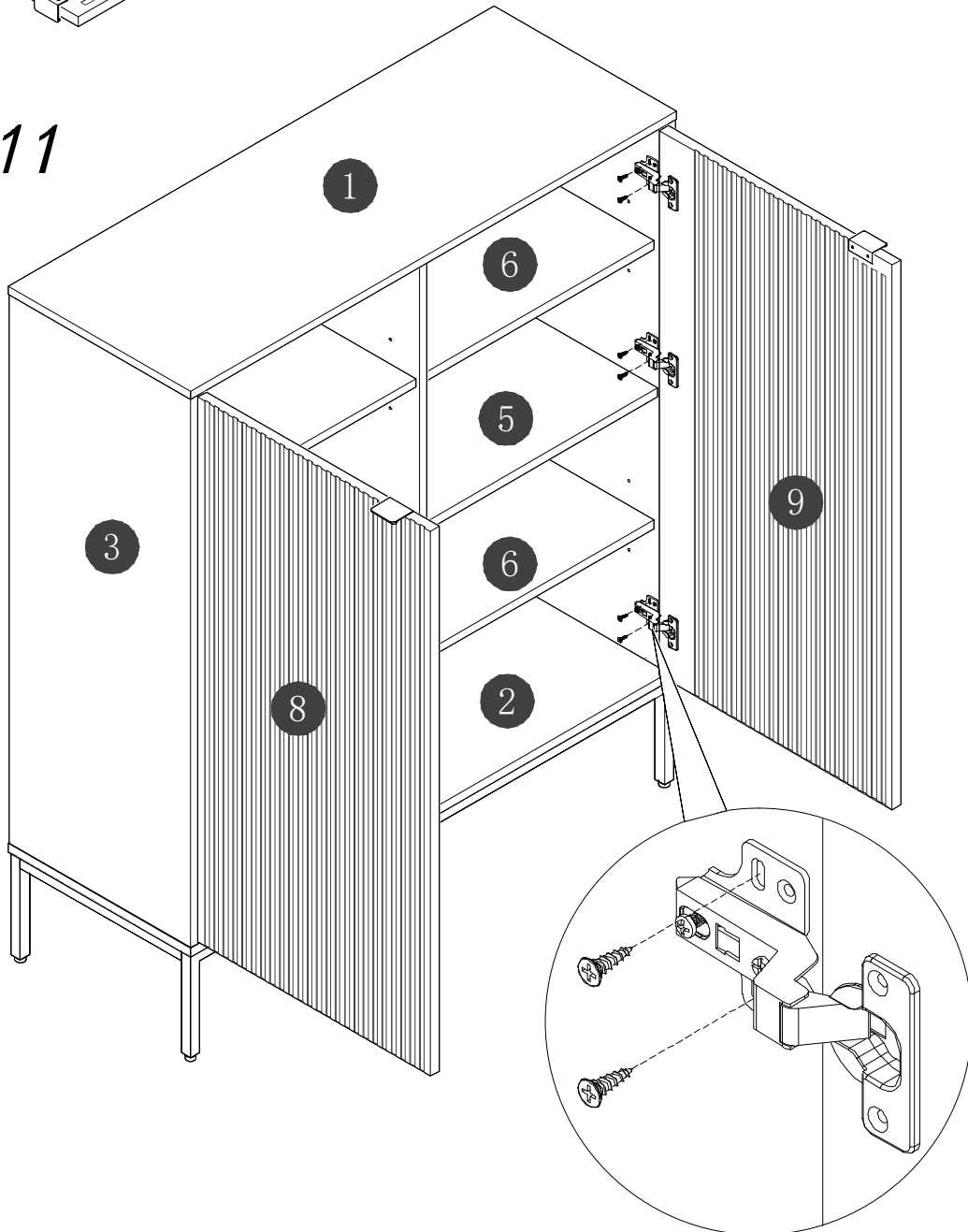
# STEP 9



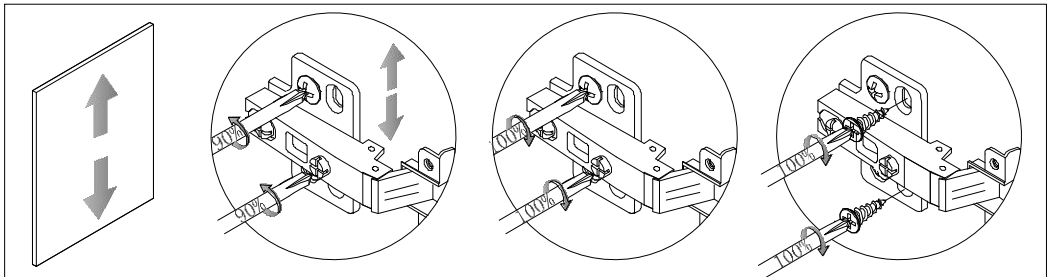
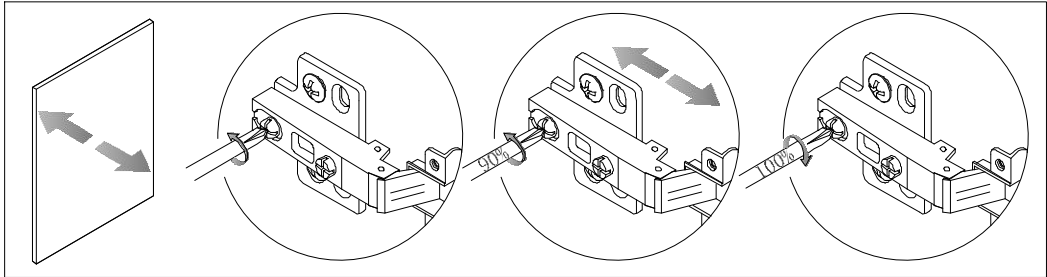
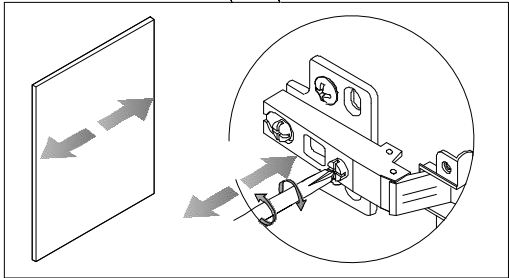
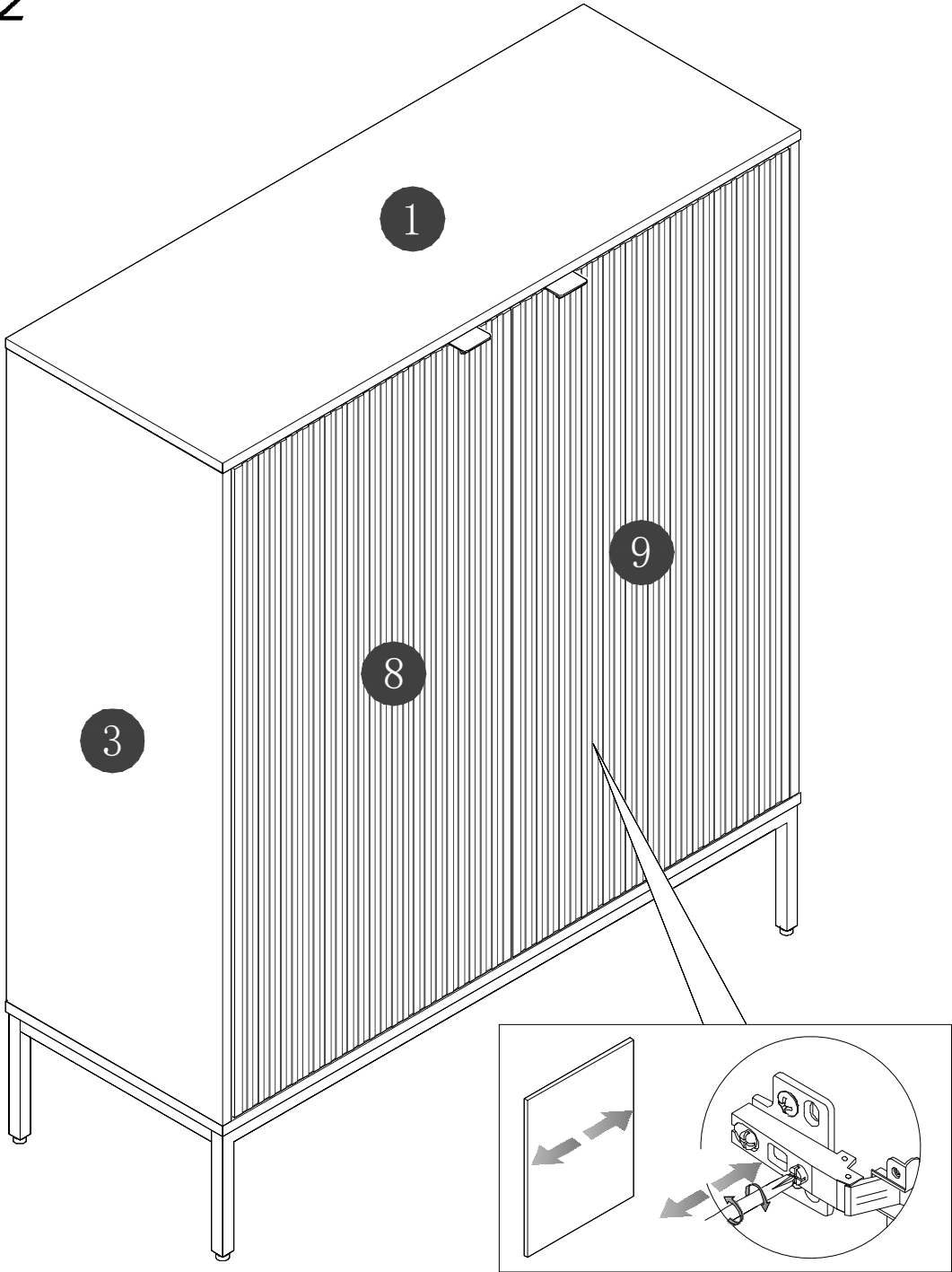
# STEP 10



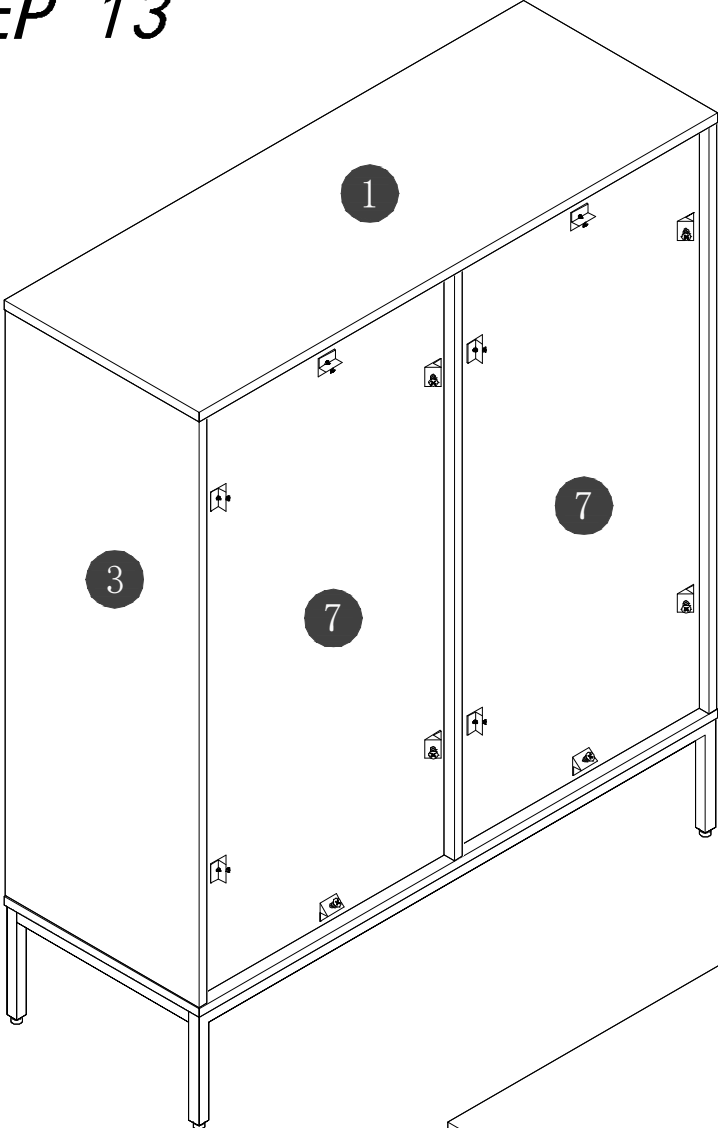
# STEP 11



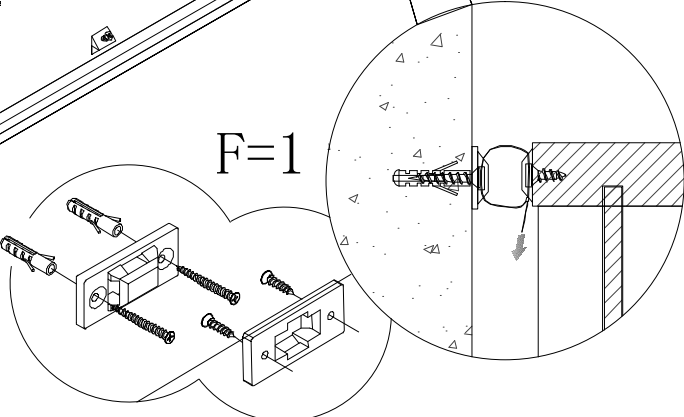
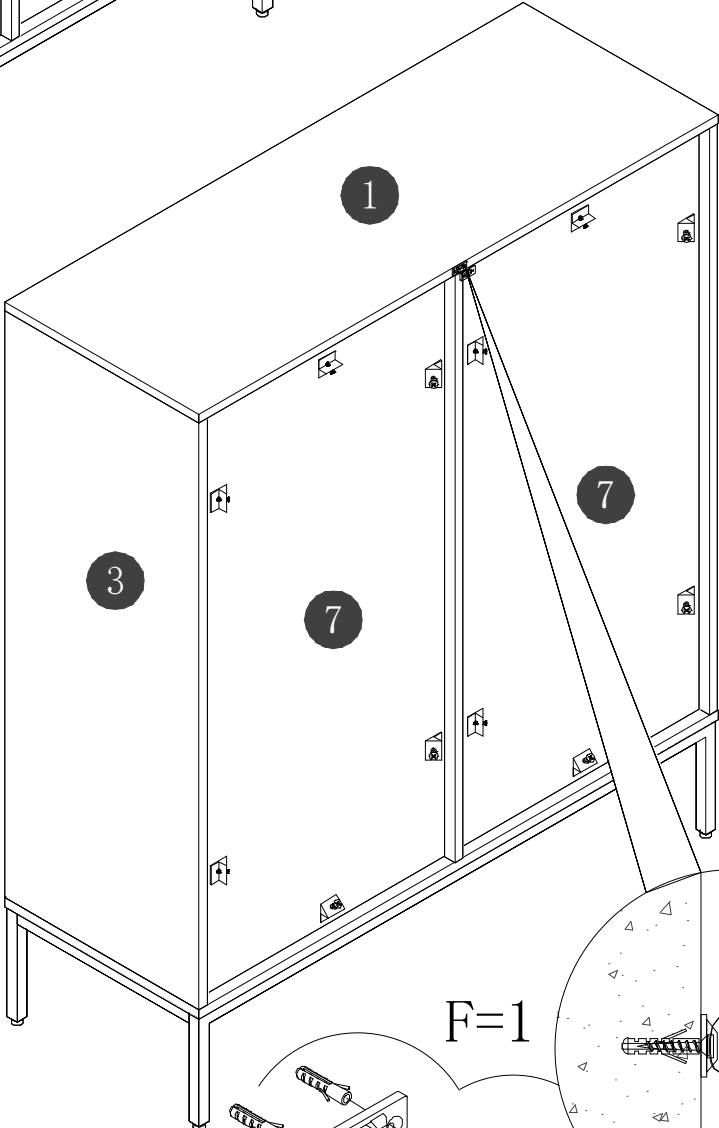
# STEP 12



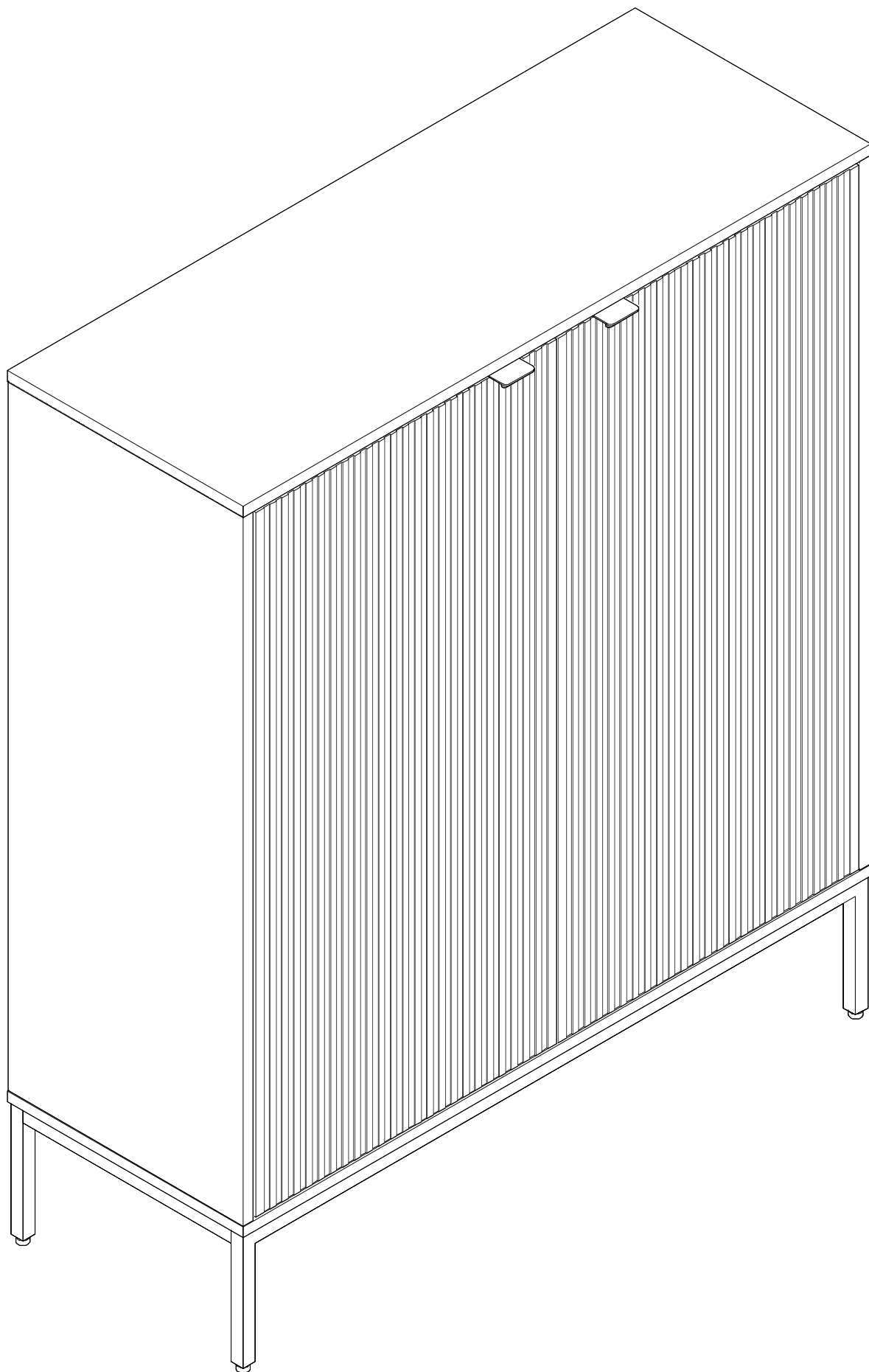
# STEP 13



# STEP 14



# STEP 15



*Finish*