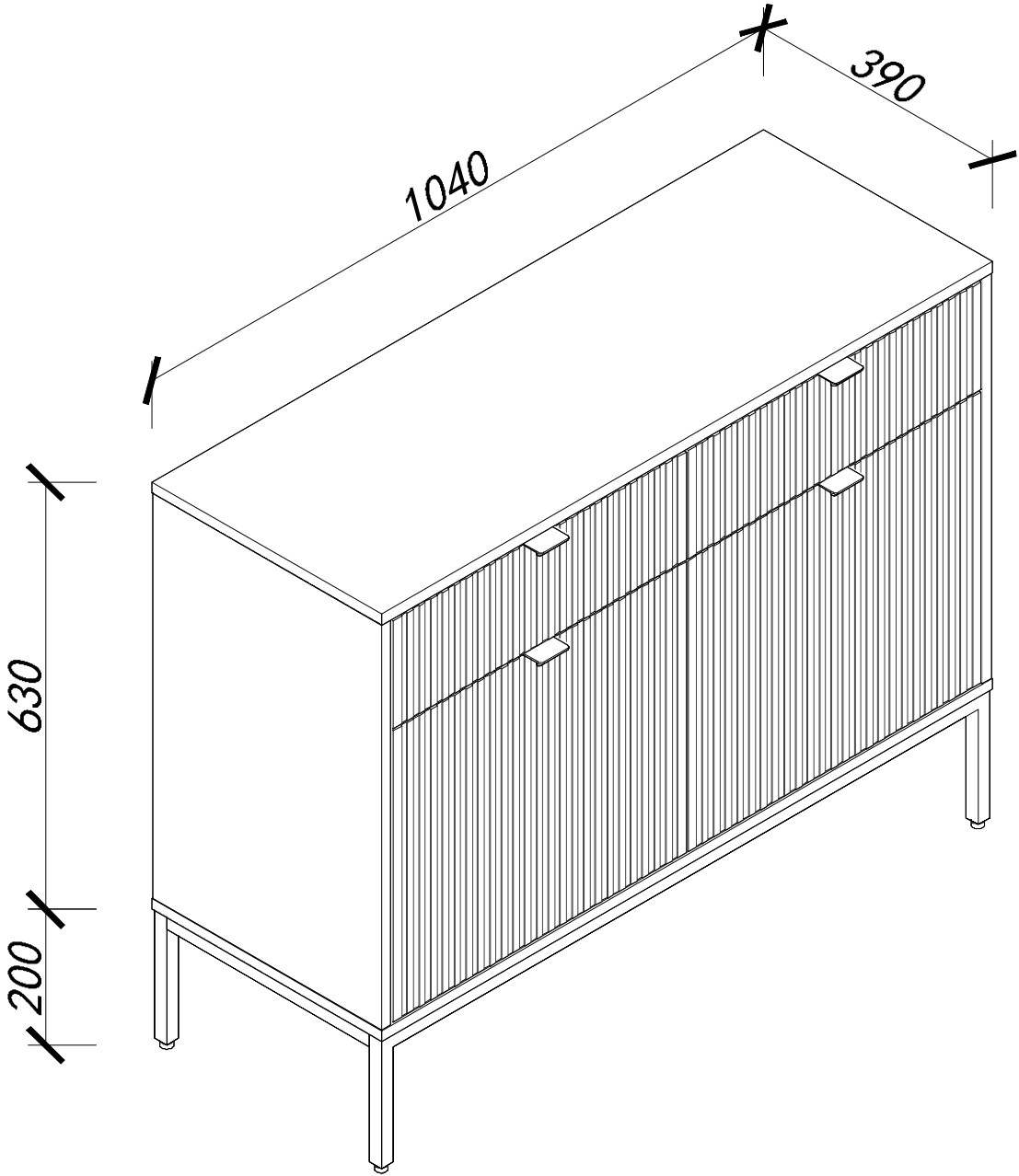
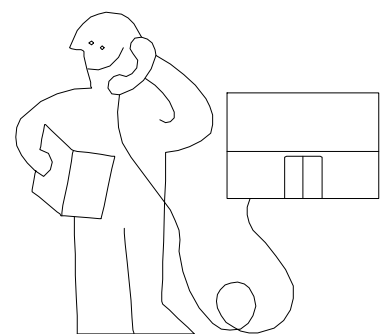
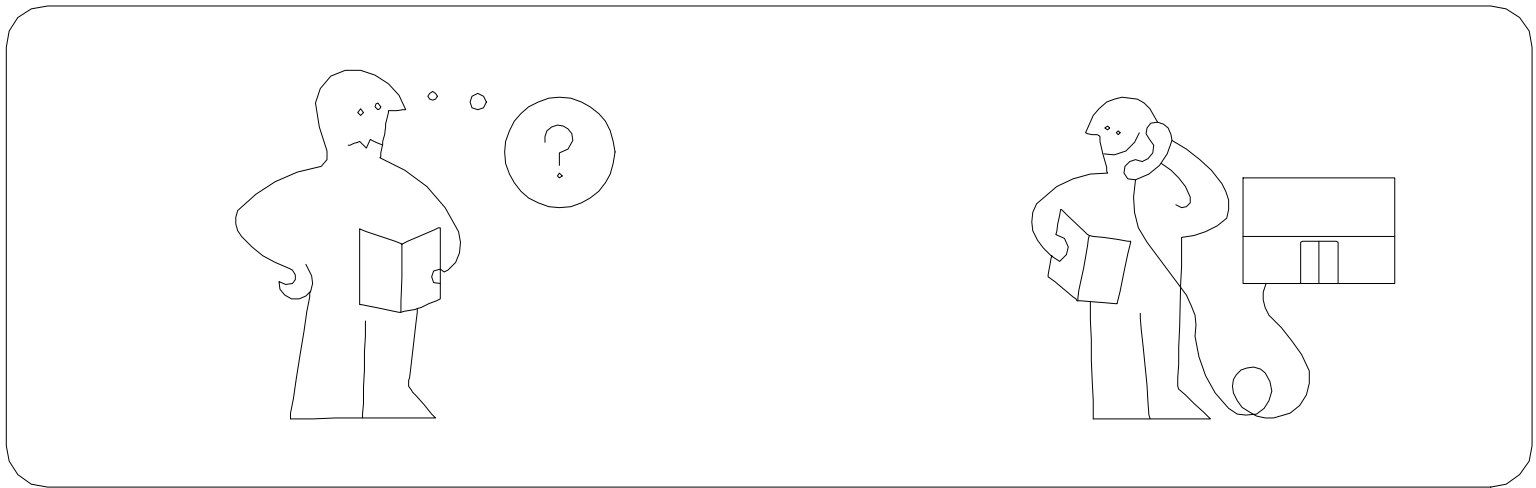
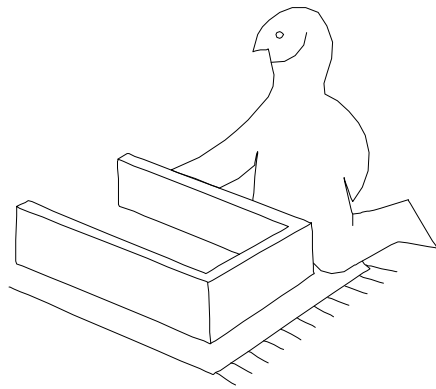
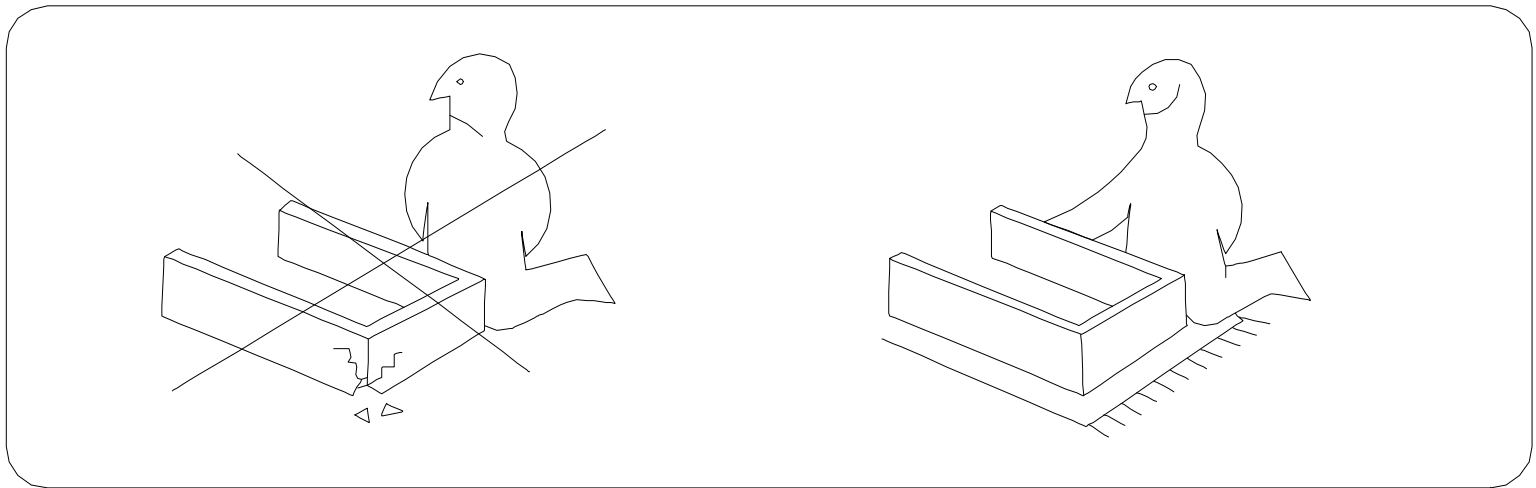
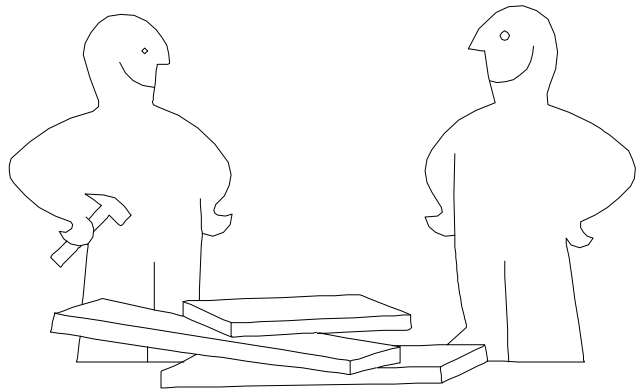
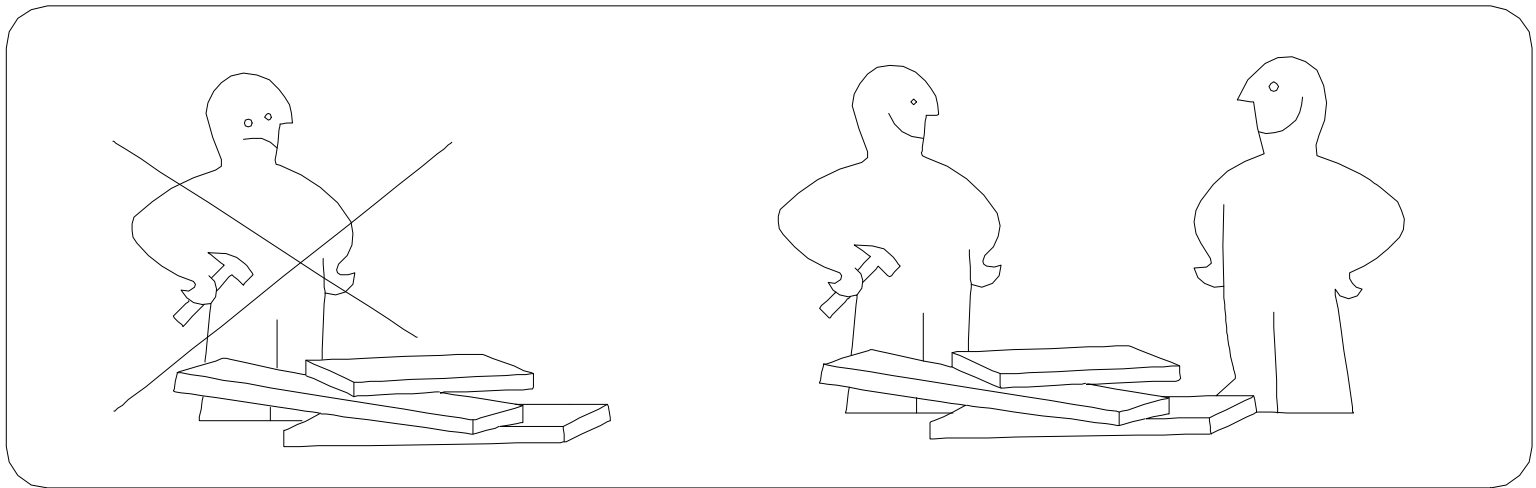
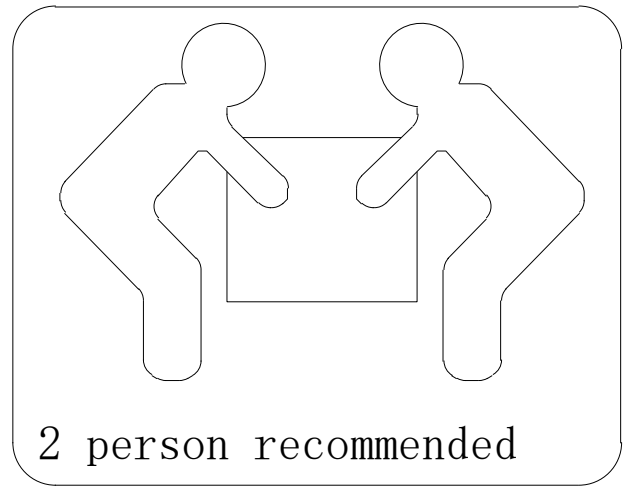
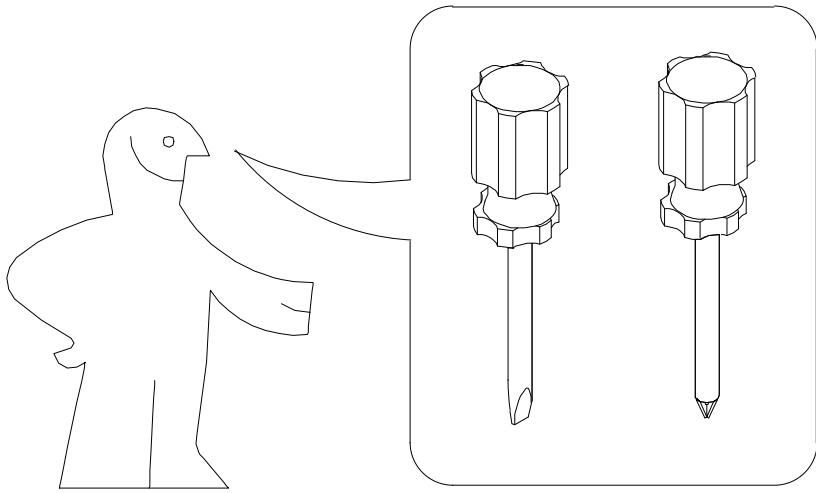


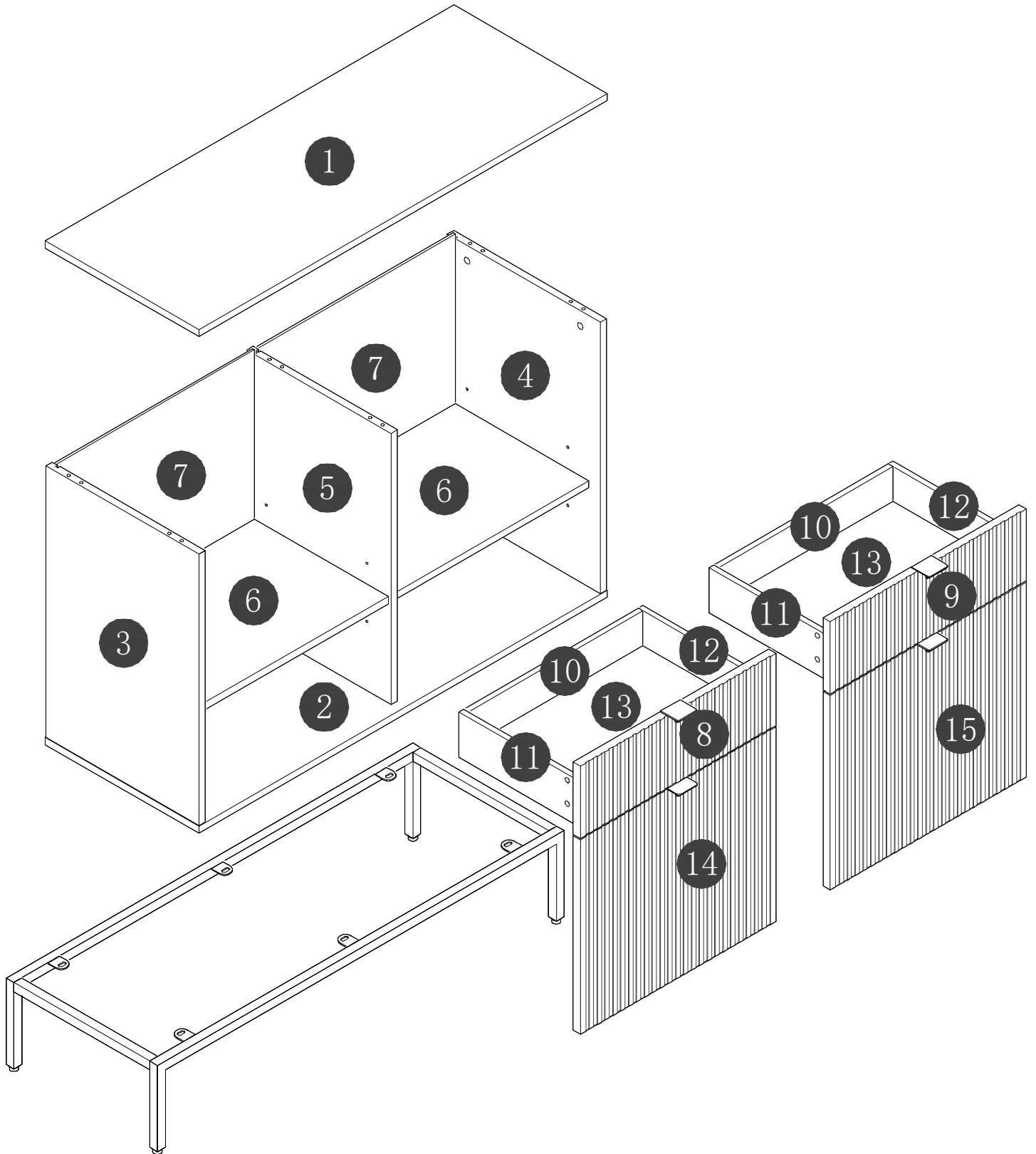
# Assembly Instructions





Panel No	Panel Sizes	Quantity
1	1040*390*16	1
2	1040*390*16	1
3	598*389*16	1
4	598*389*16	1
5	598*368*16	1
6	492*340*16	2
7	608*505*5	2
8	159*498*18	1

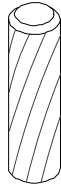
Panel No	Panel Sizes	Quantity
9	159*498*18	1
10	444*100*12	2
11	300*100*12	2
12	300*100*12	2
13	454*298*5	2
14	429*498*18	1
15	429*498*18	1



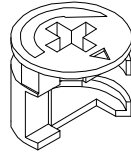
# Fittings



A=6



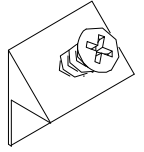
B=12



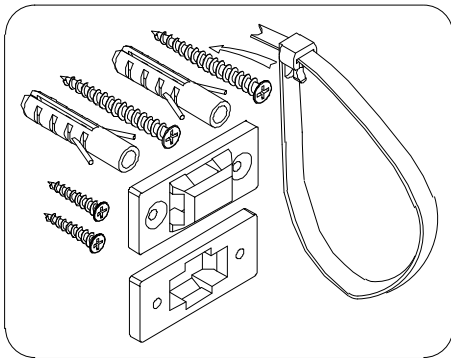
C=6



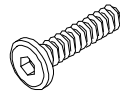
D=22



E=12



F=1

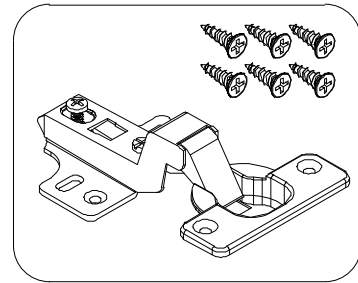


M6\*16

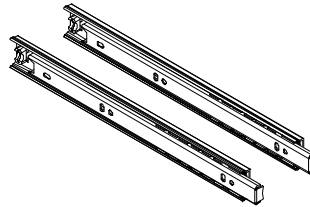
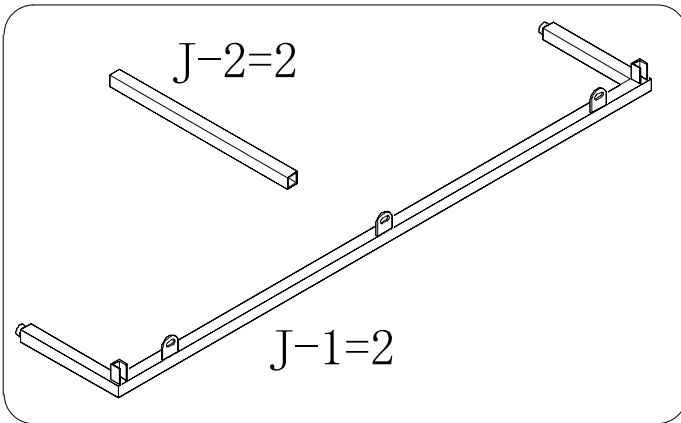
G=10



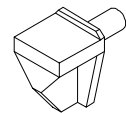
H=1



I3=4



N=2



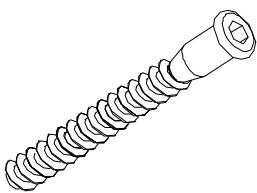
L=8



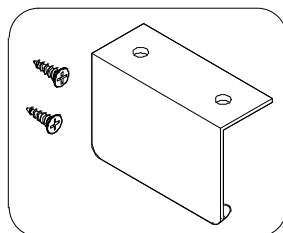
O=16



P=16



Q=6



U=4

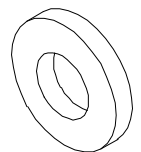


M3.5\*12

V1=16

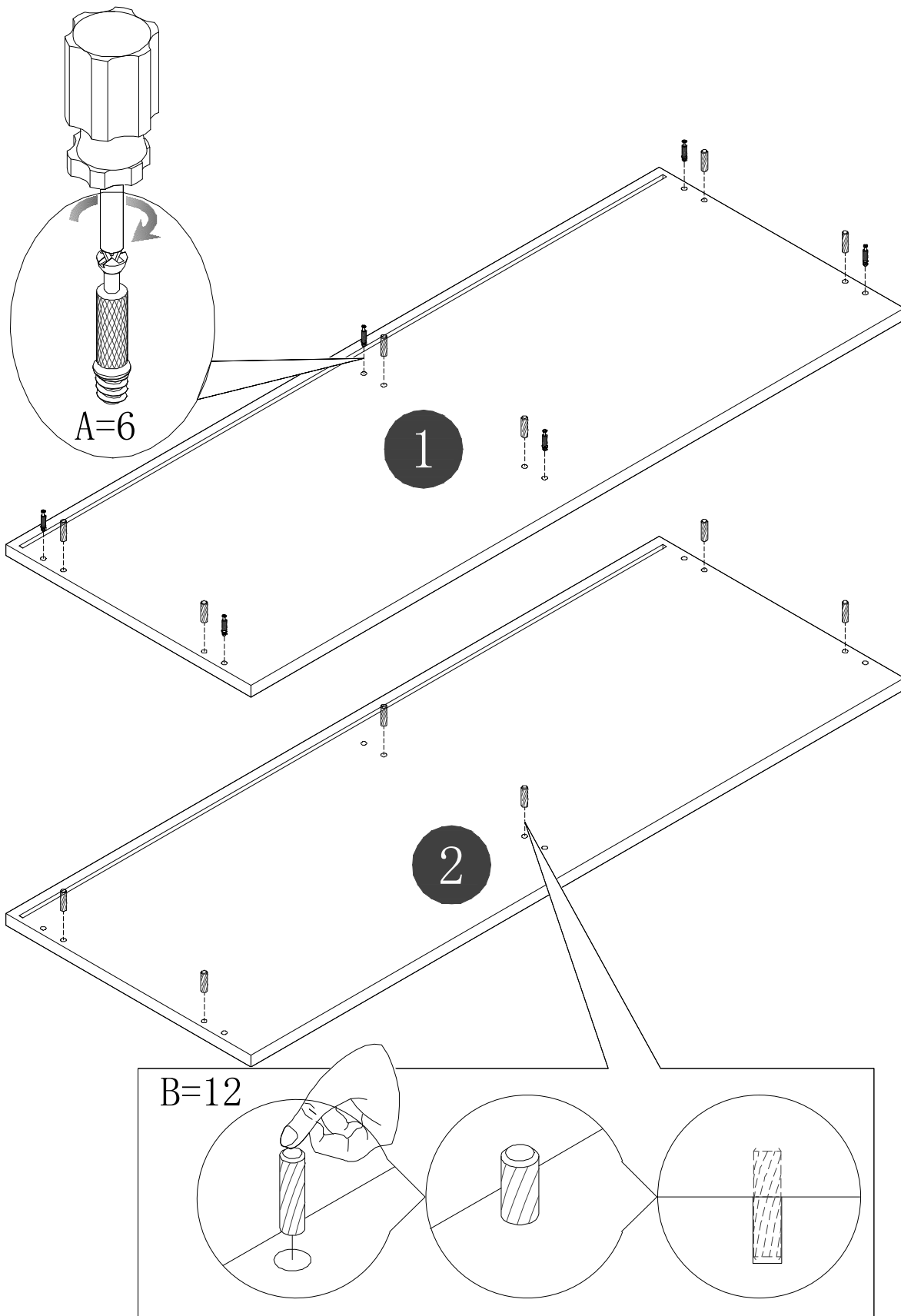


Z1=6

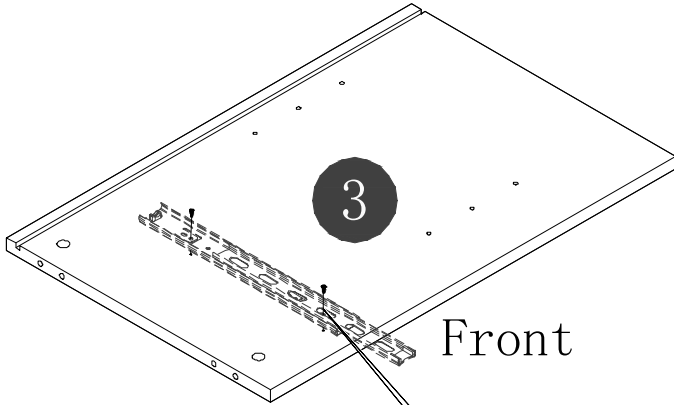
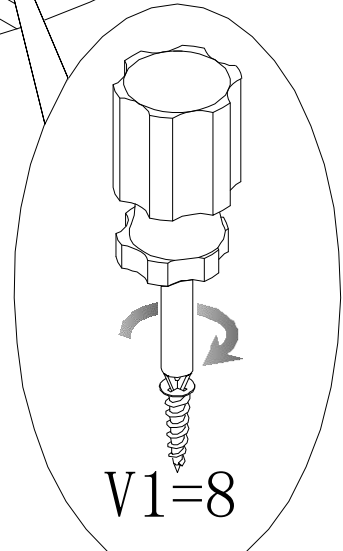
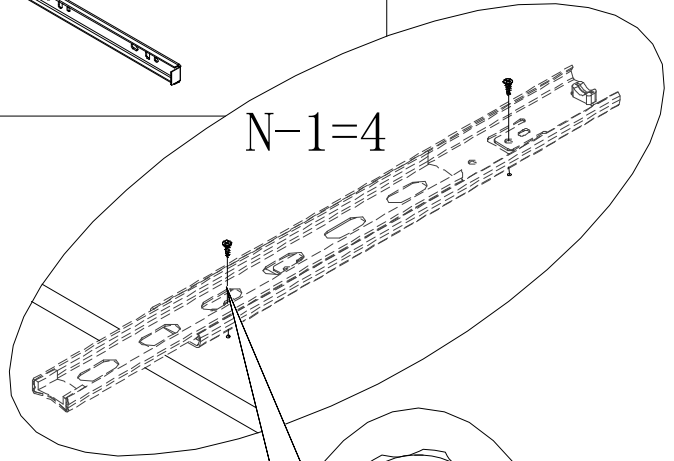
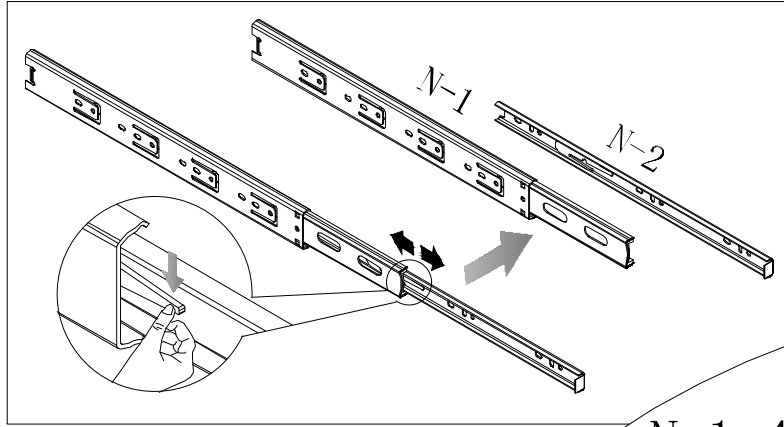


Z2=6

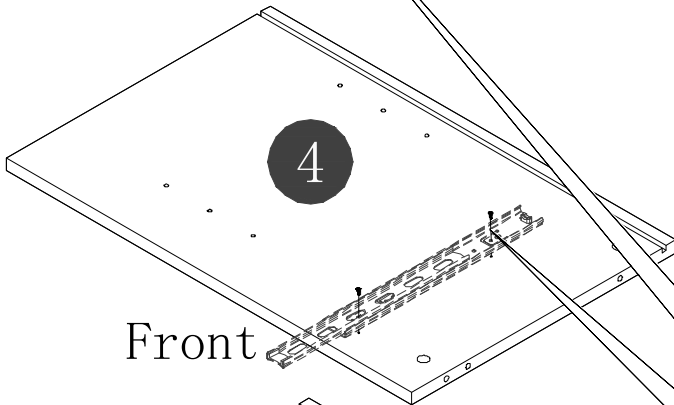
# STEP 1



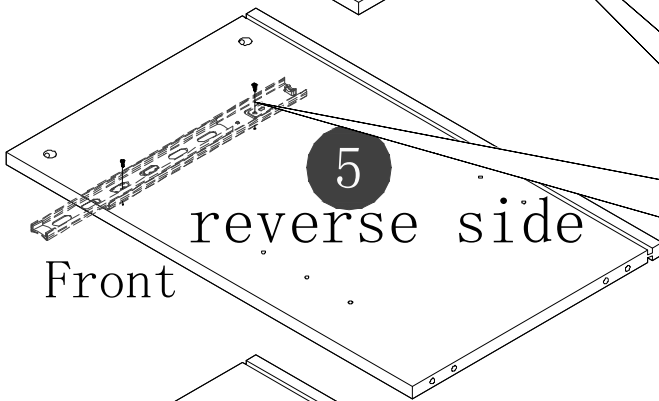
# STEP 2



Front

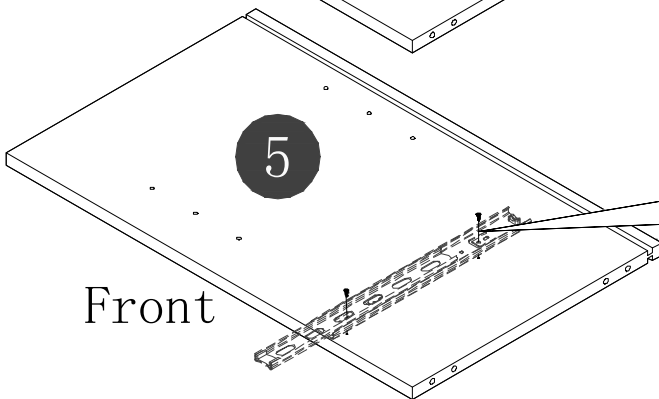


Front

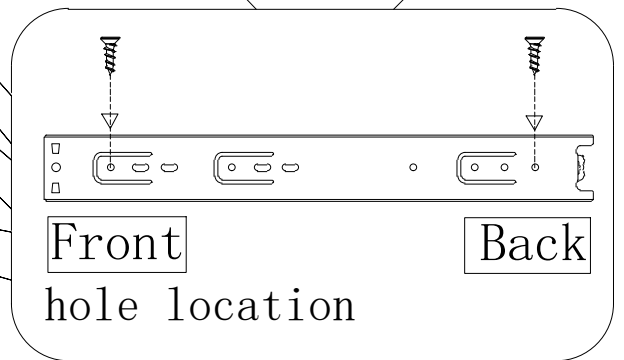


Front

reverse side



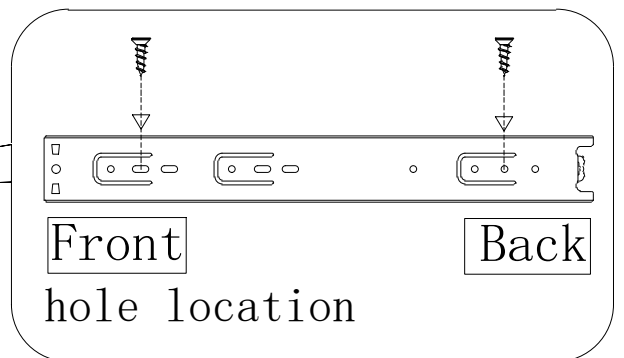
Front



Front

Back

hole location

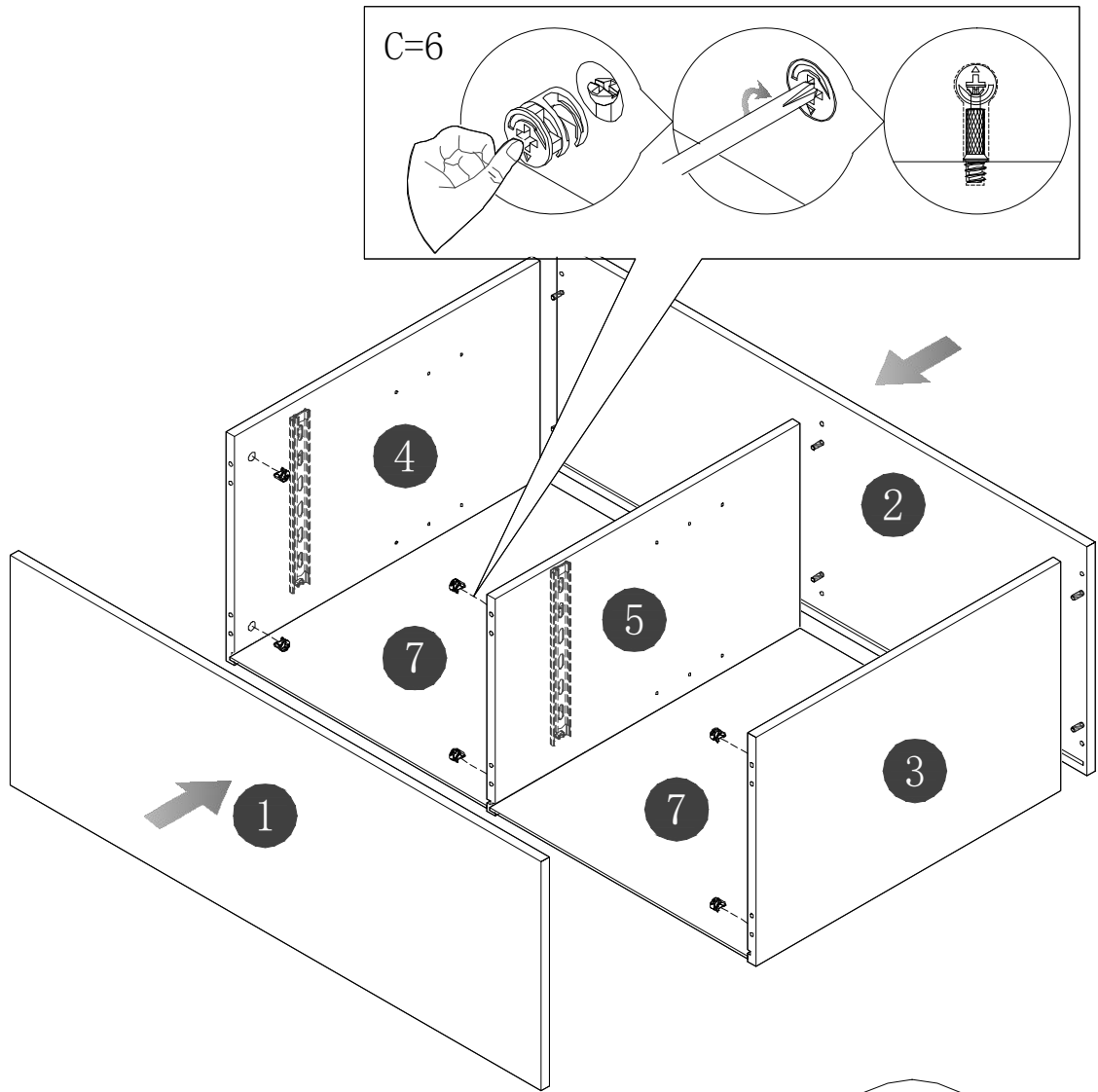


Front

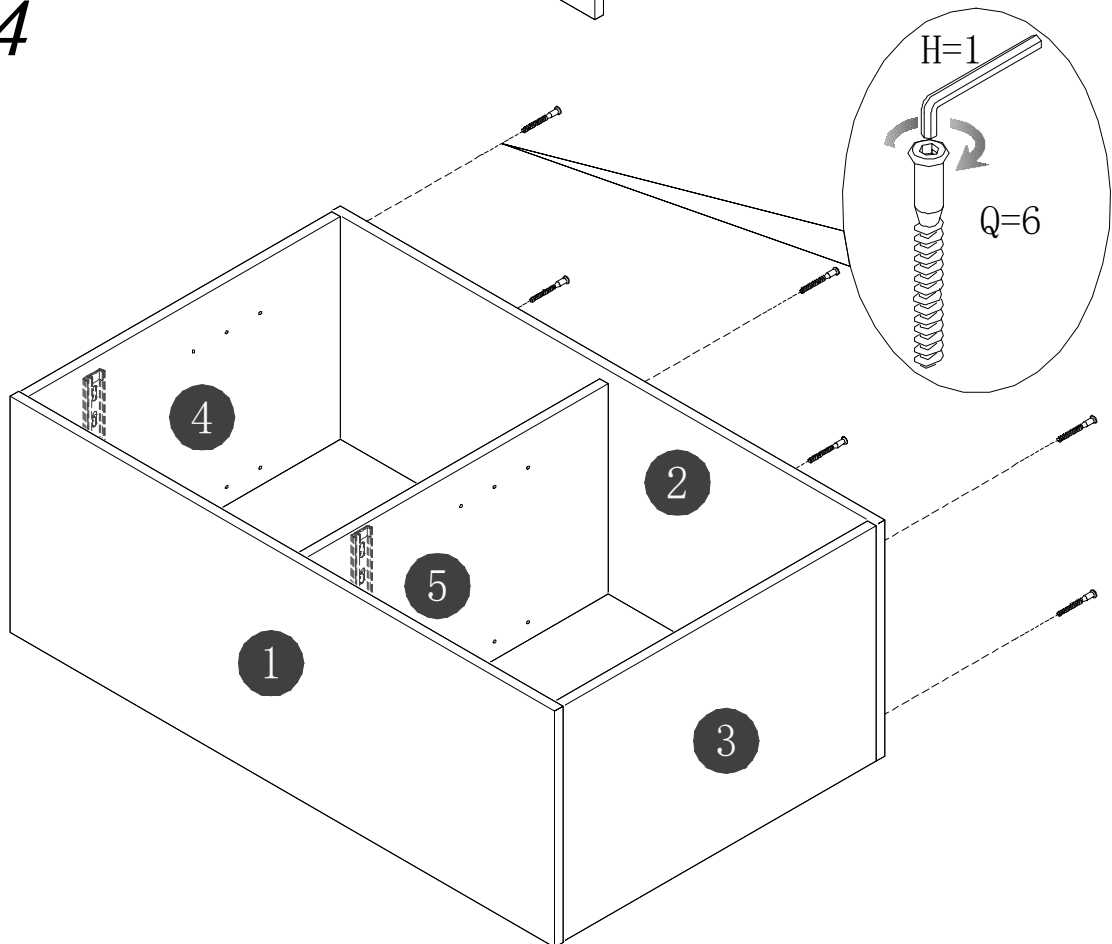
Back

hole location

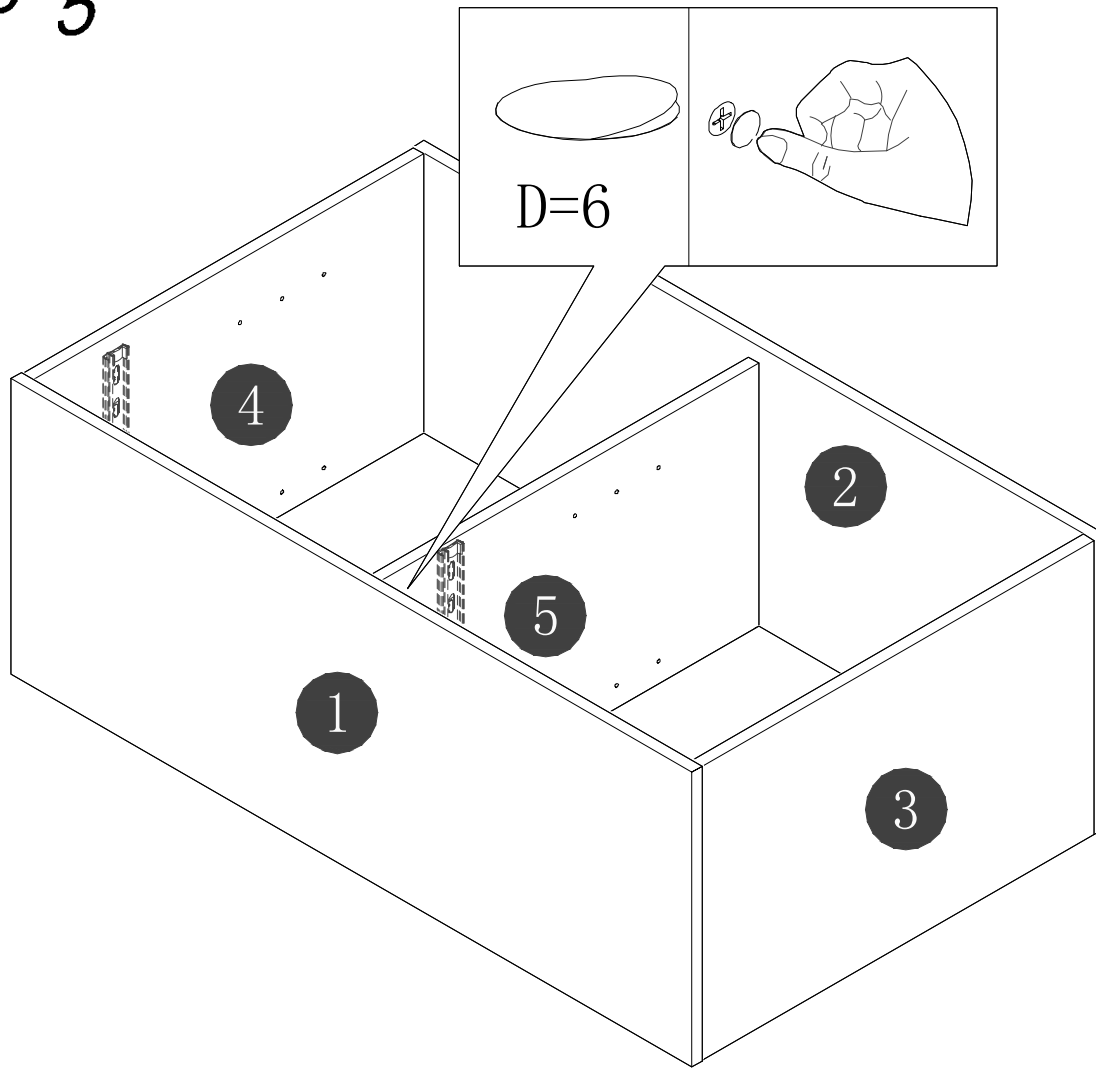
# STEP 3



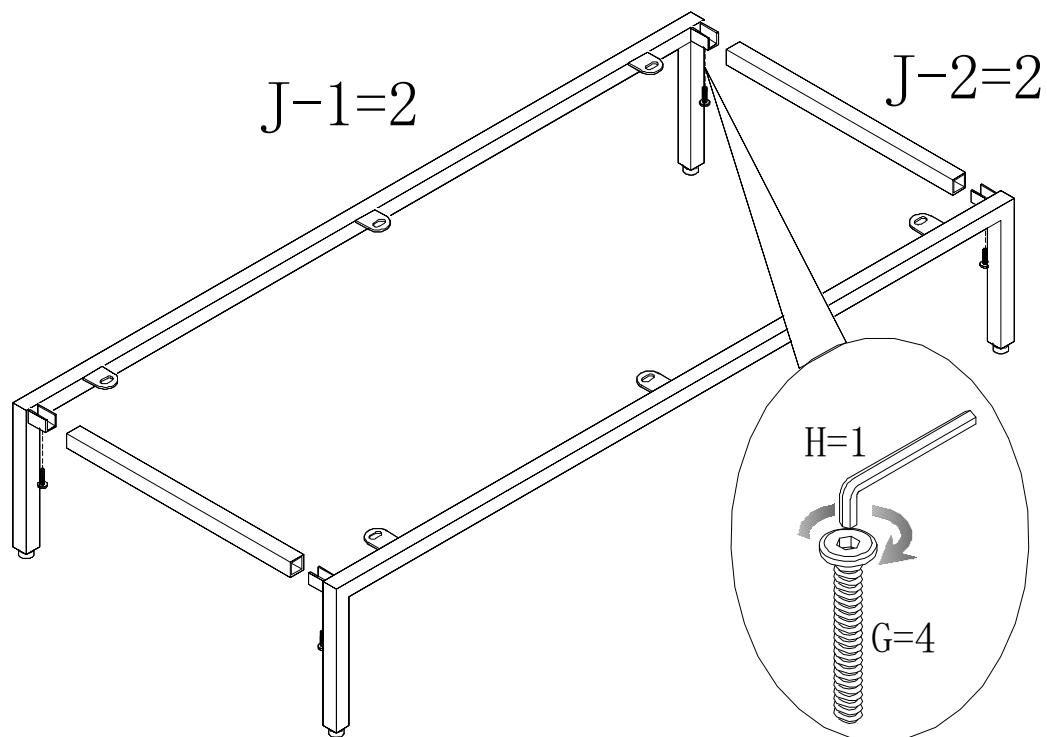
# STEP 4



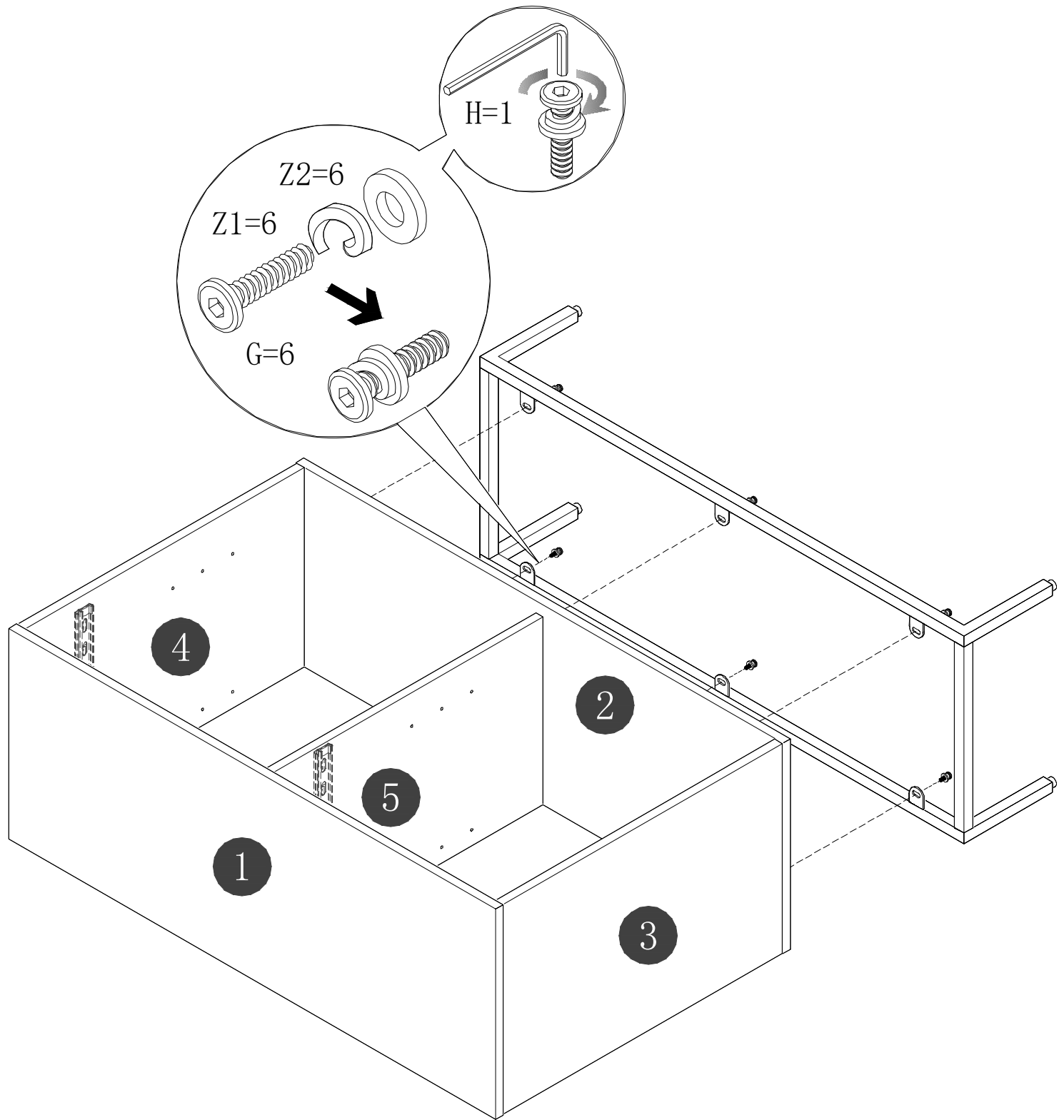
# STEP 5



# STEP 6

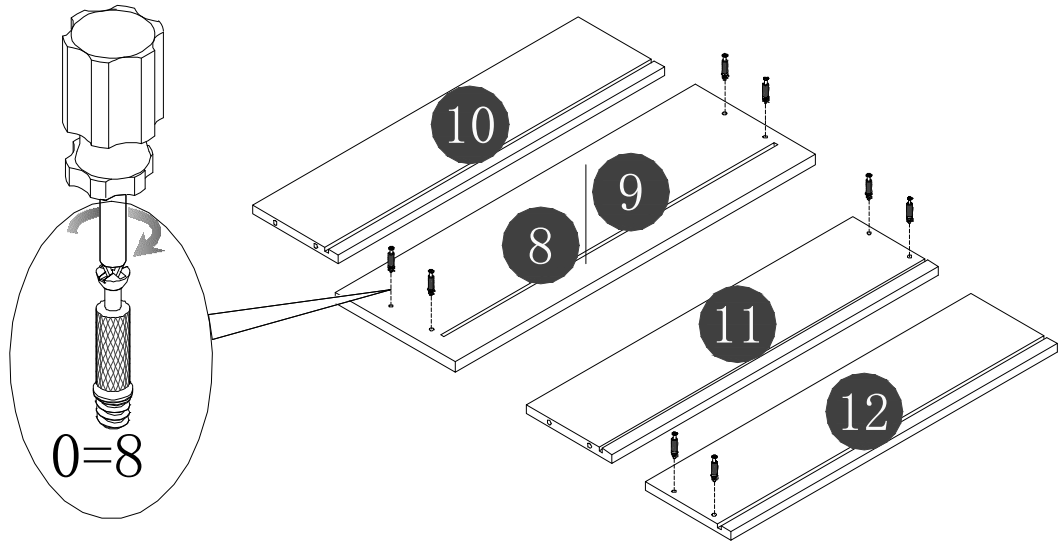


# STEP 7

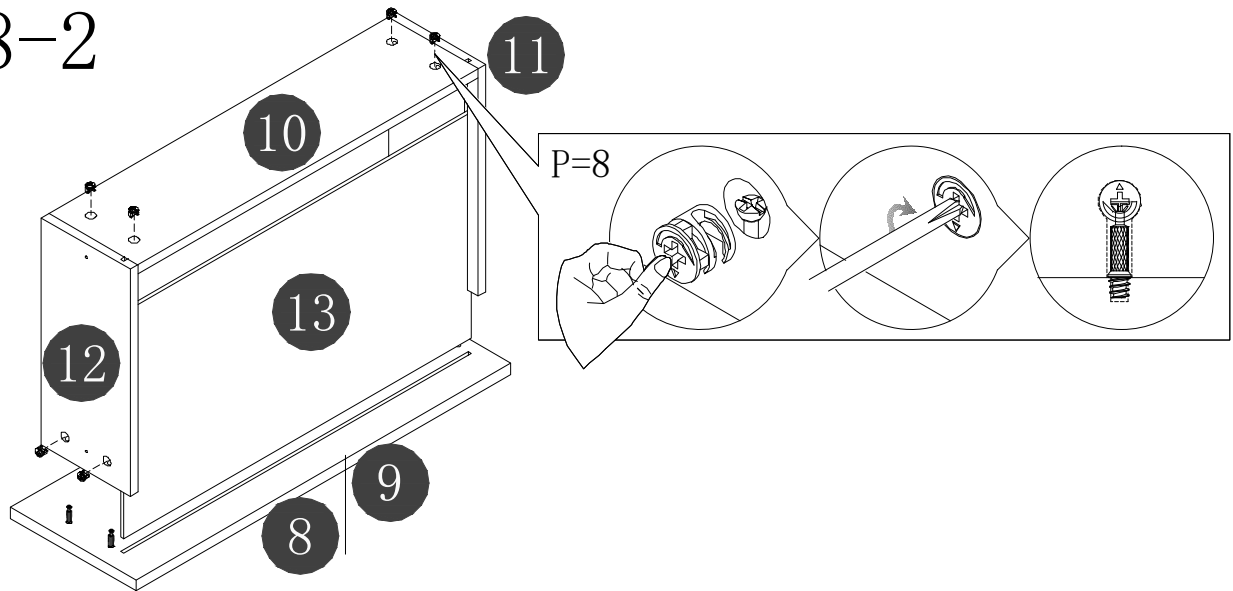


# STEP 8

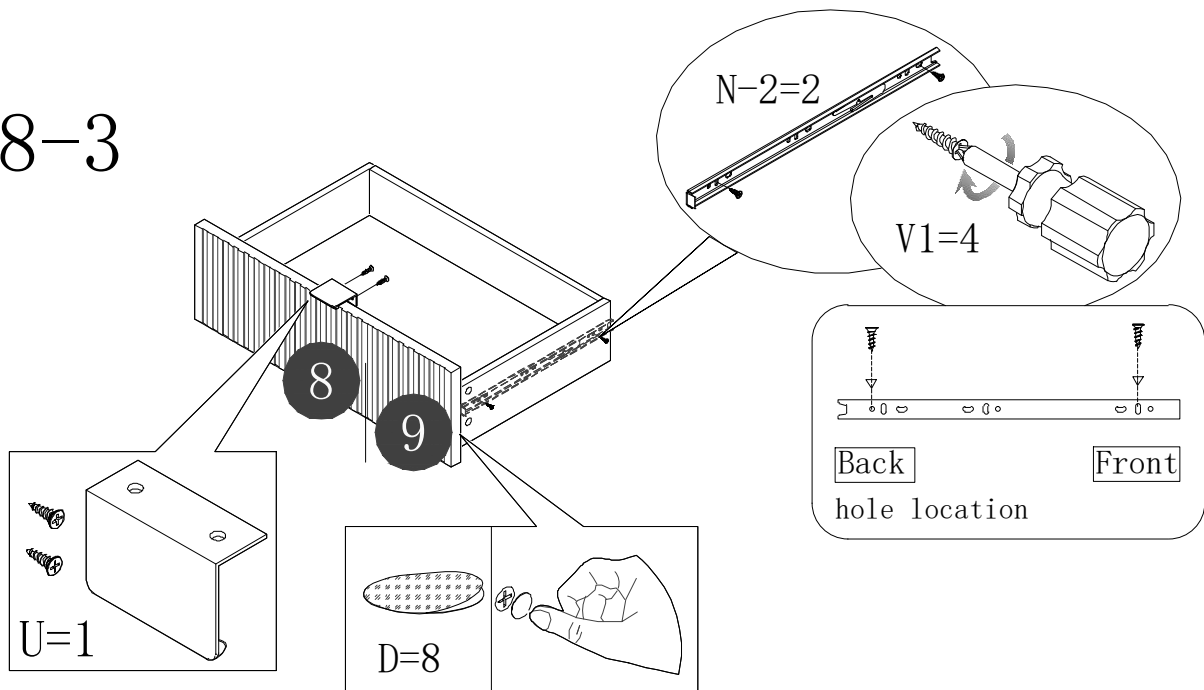
8-1



8-2

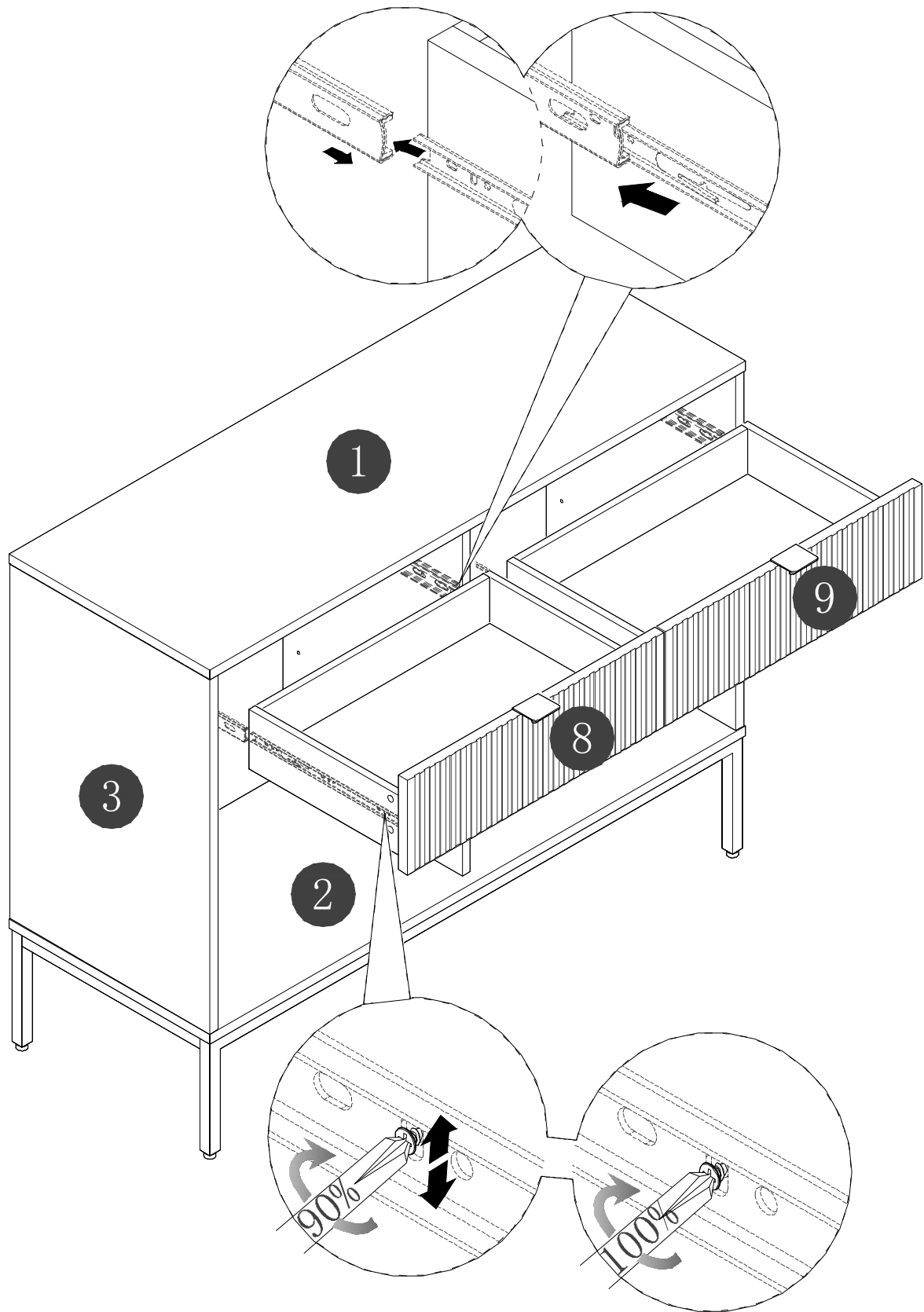


8-3

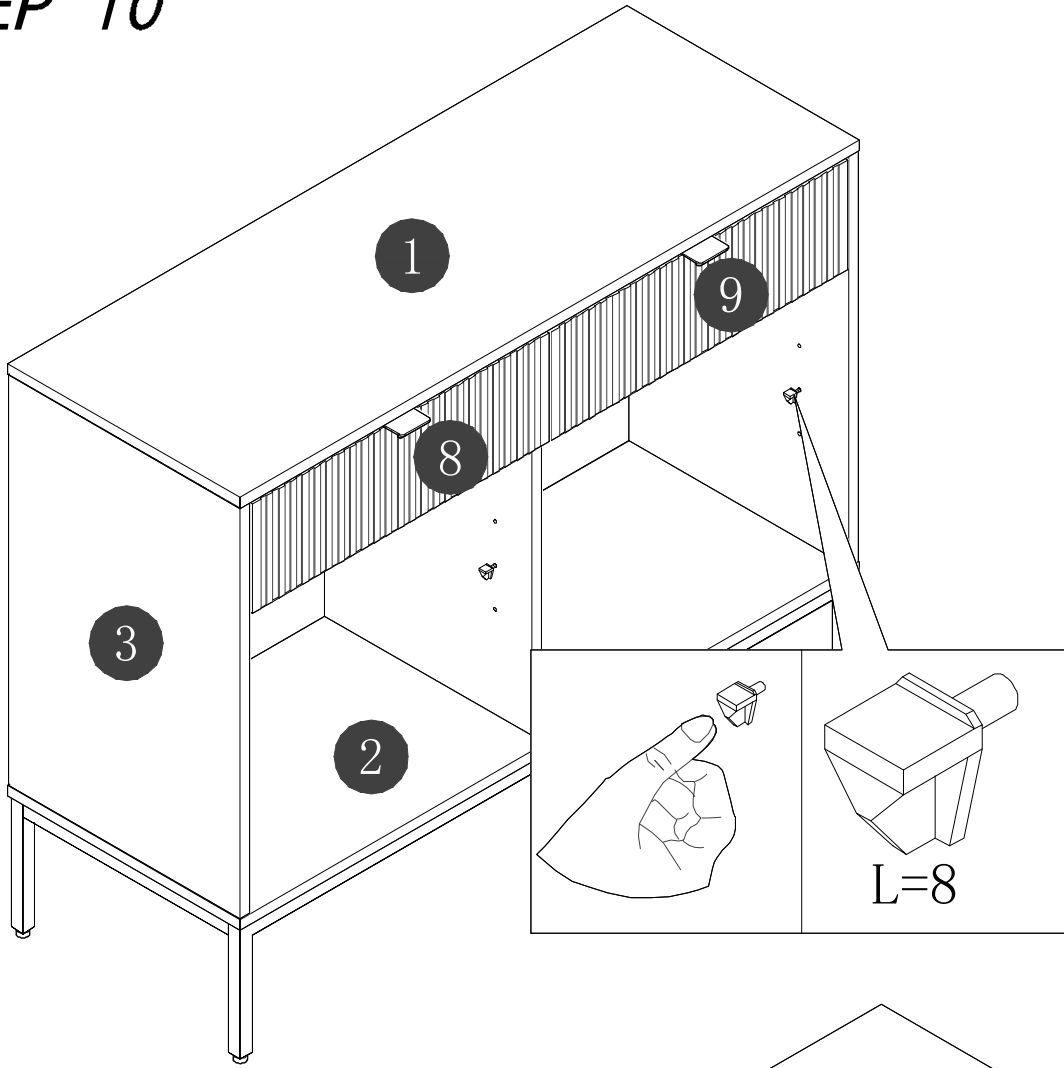


X2

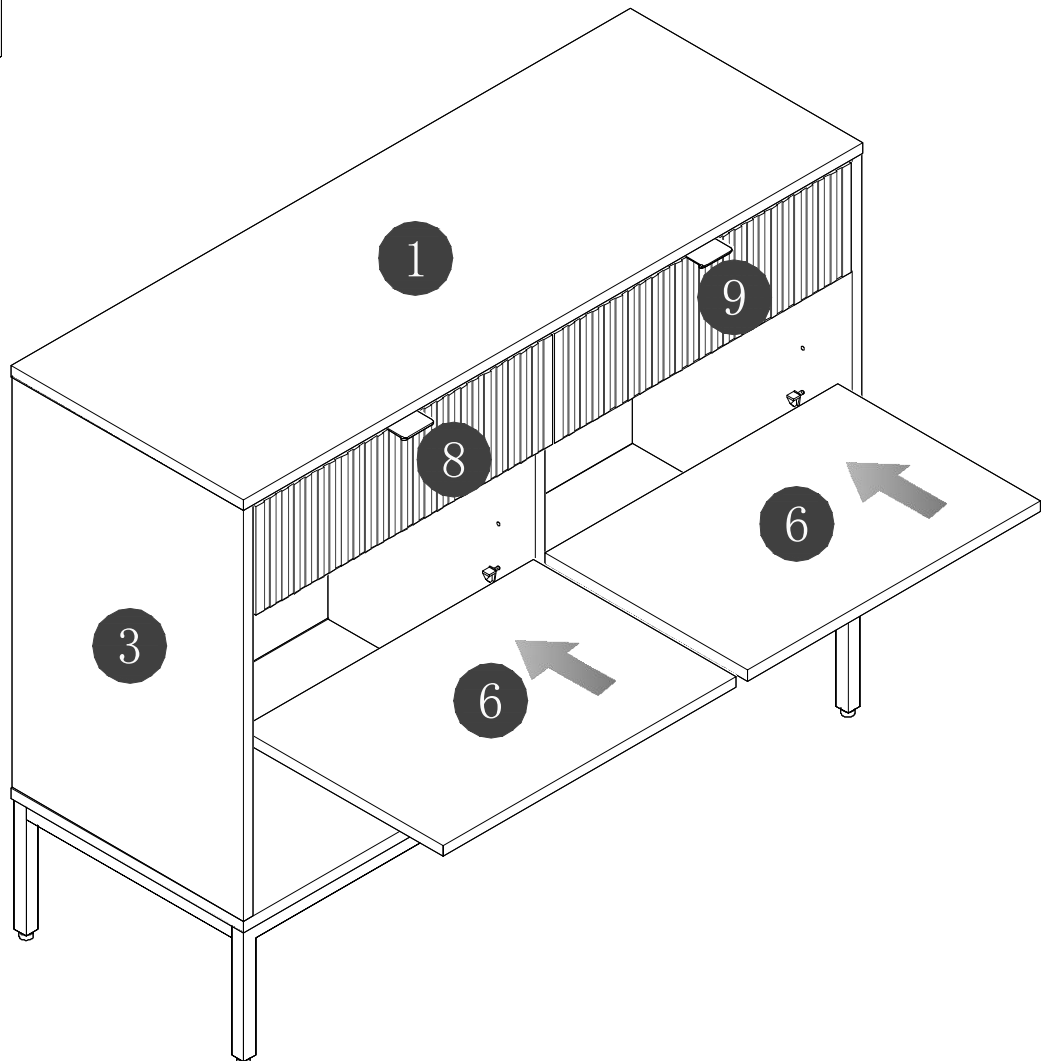
# STEP 9



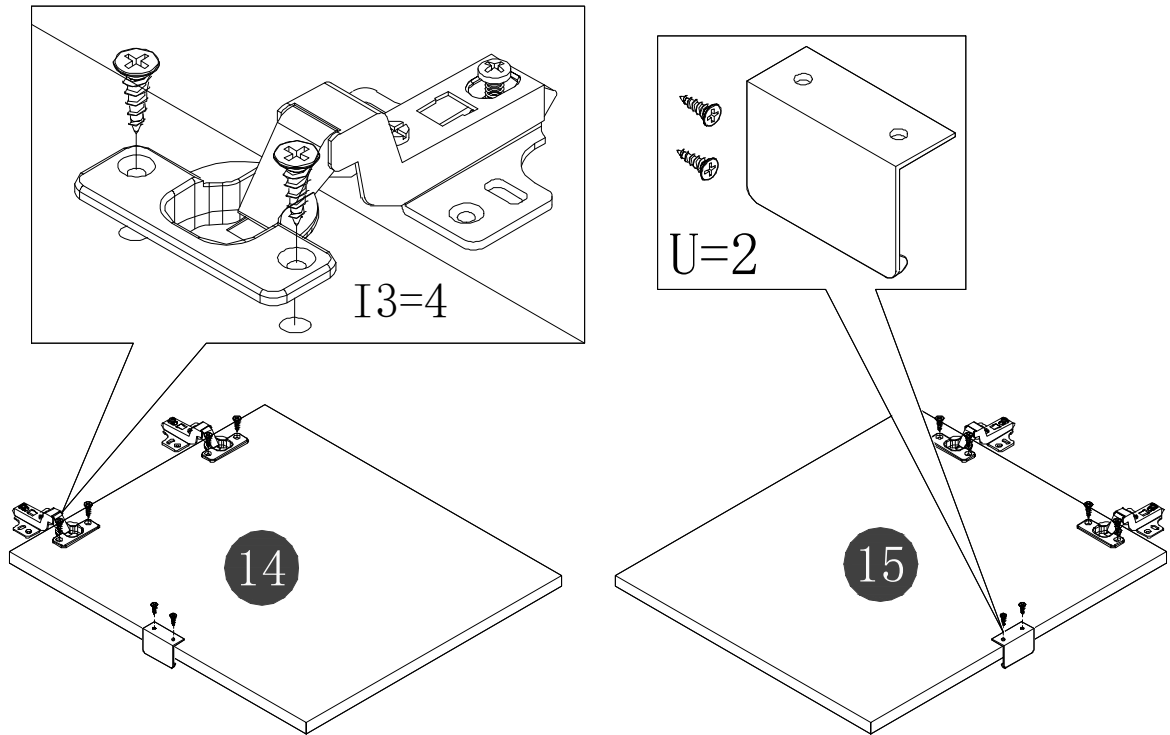
# STEP 10



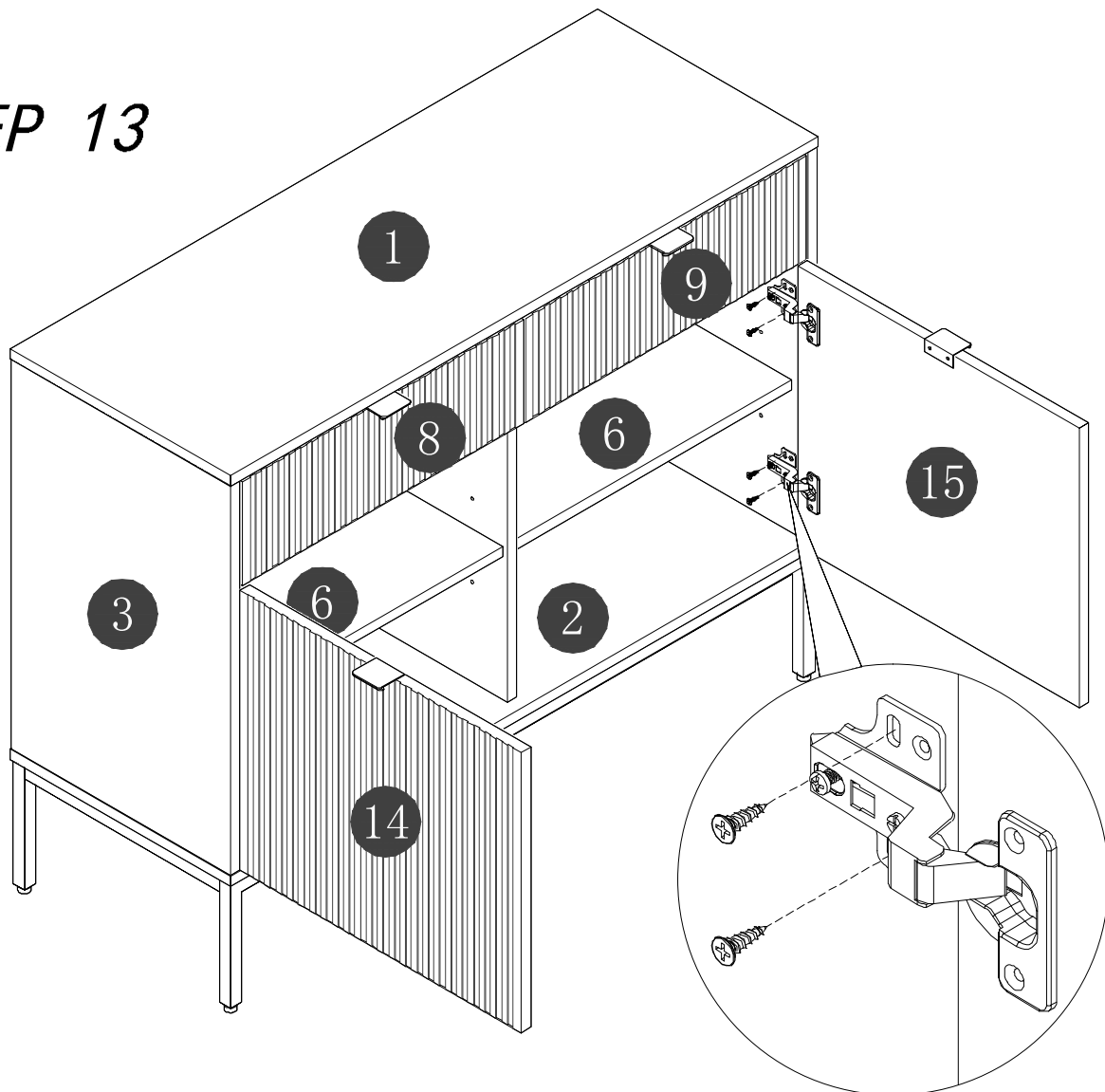
# STEP 11



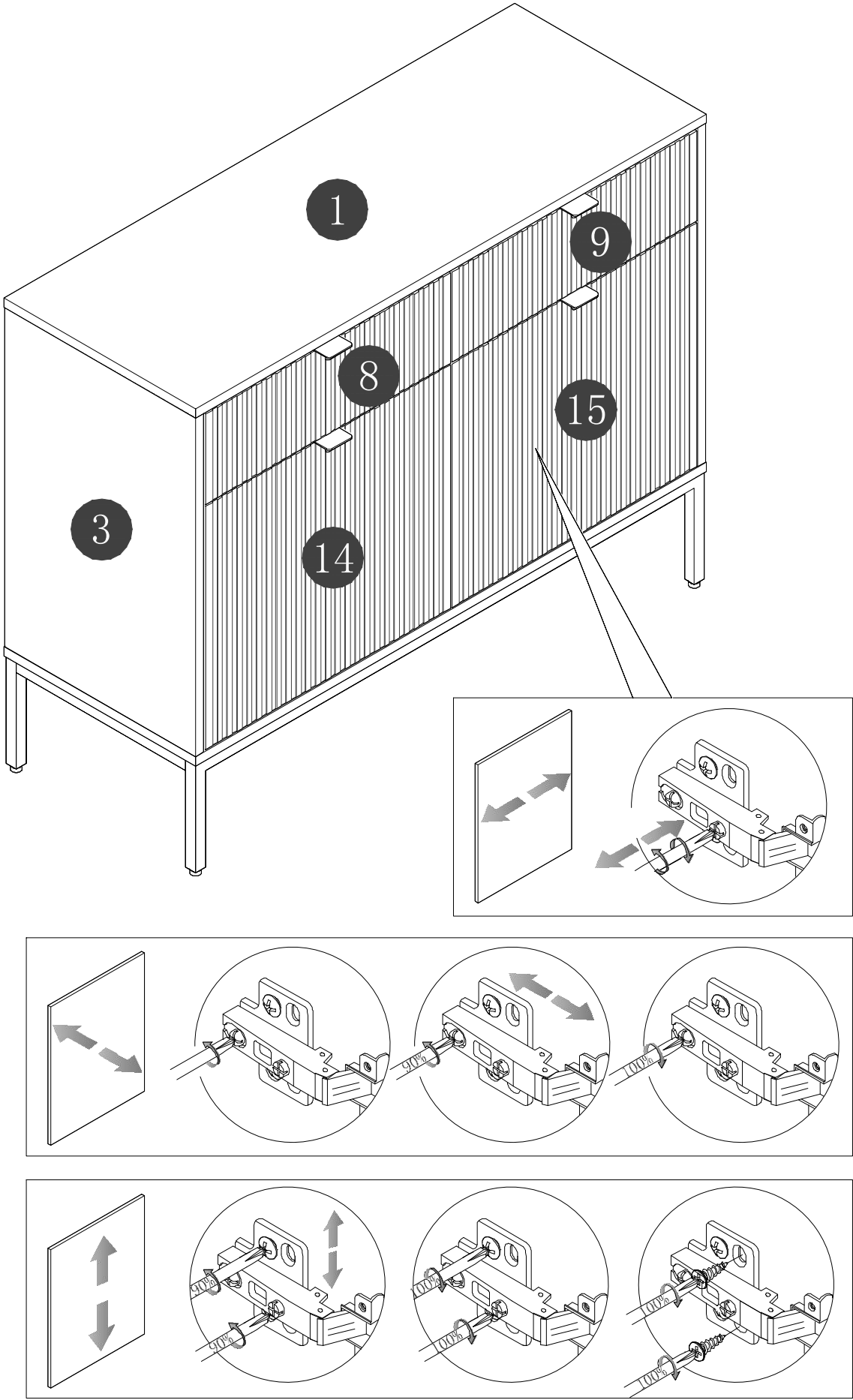
# STEP 12



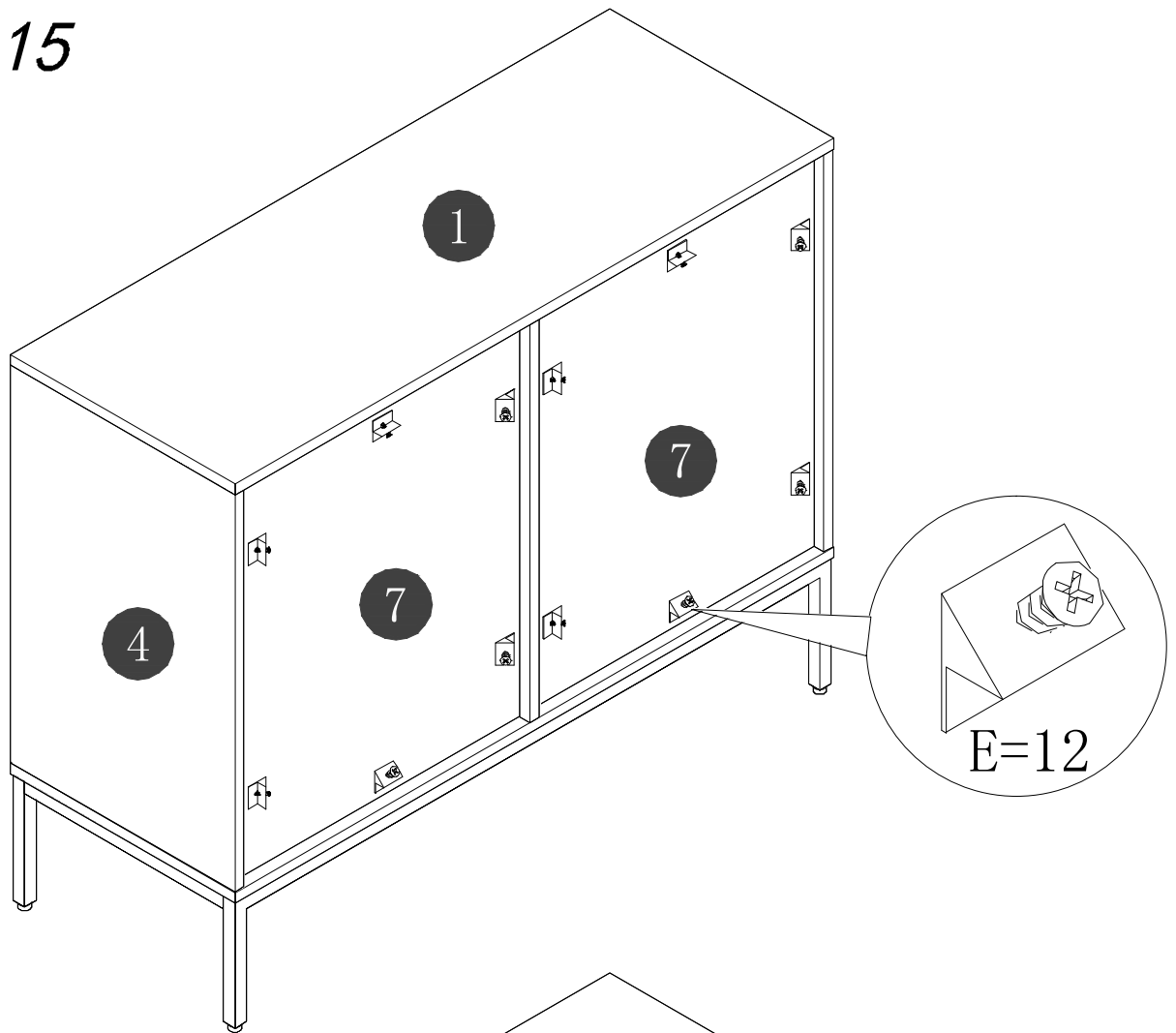
# STEP 13



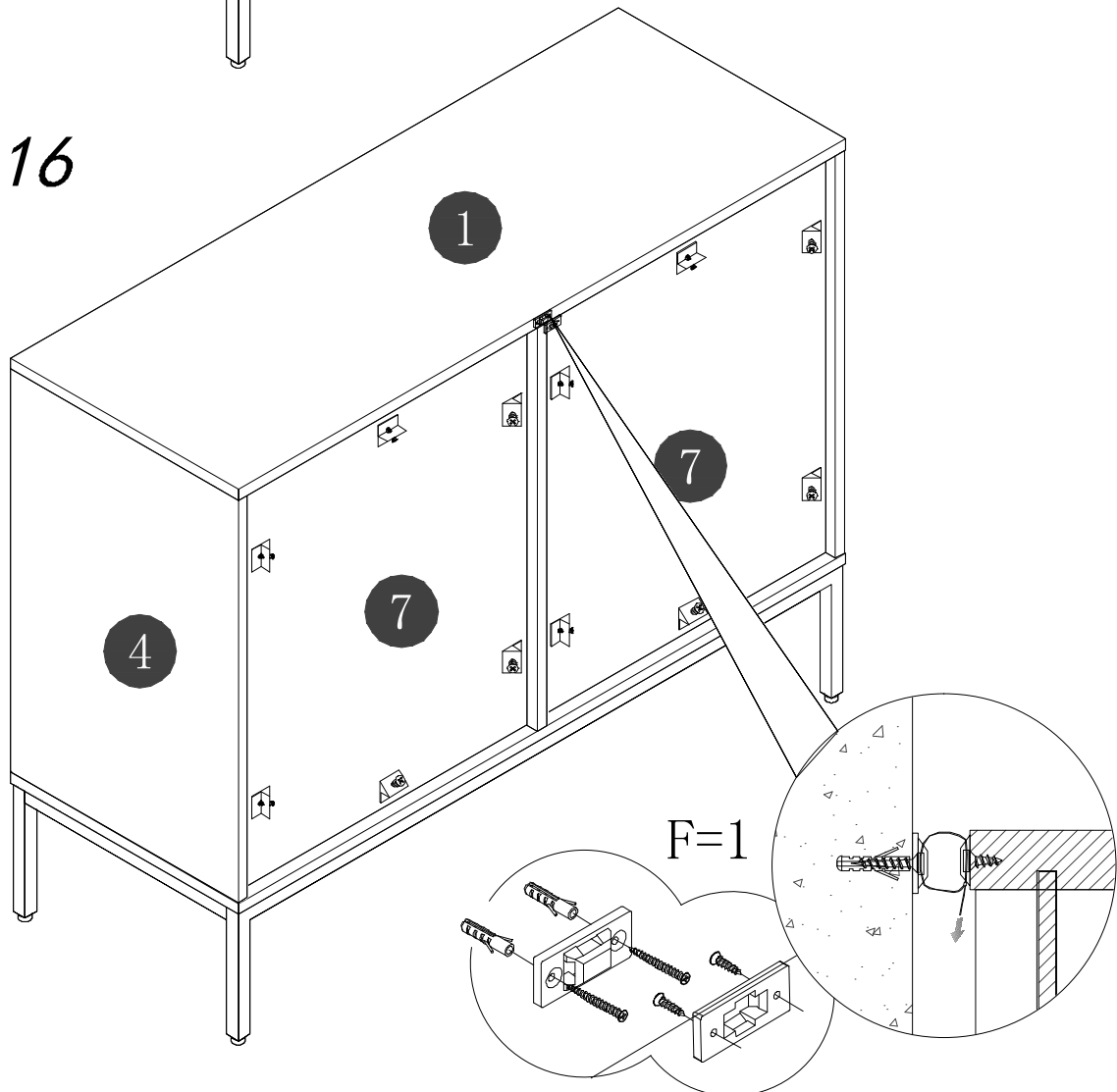
# STEP 14



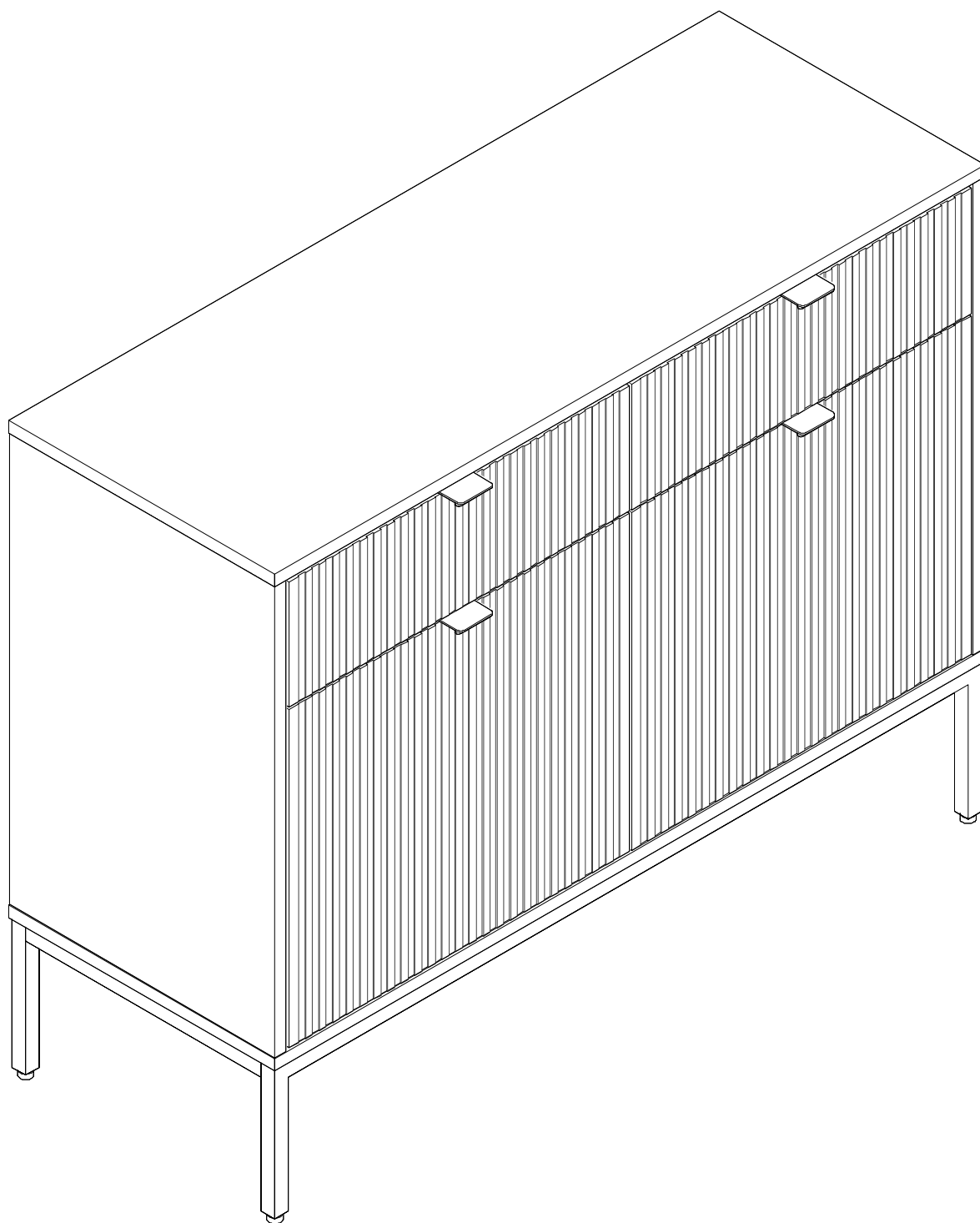
# STEP 15



# STEP 16



# *STEP 17*



*Finish*