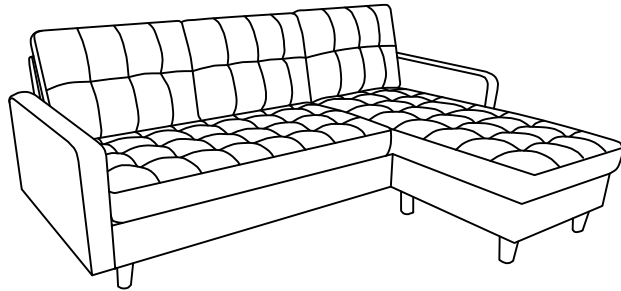


ASSEMBLY INSTRUCTION

MLM-110222



PARTS AND HARDWARE

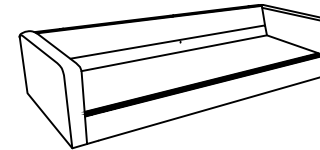
Note: Individual parts are not shown to scale.



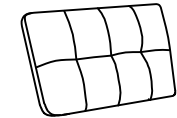
① 9pcs



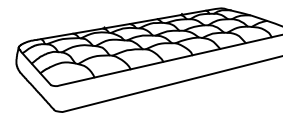
② 9pcs



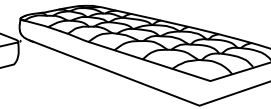
③ 1pcs



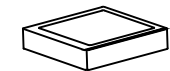
④ 3pcs



⑤ 1pcs



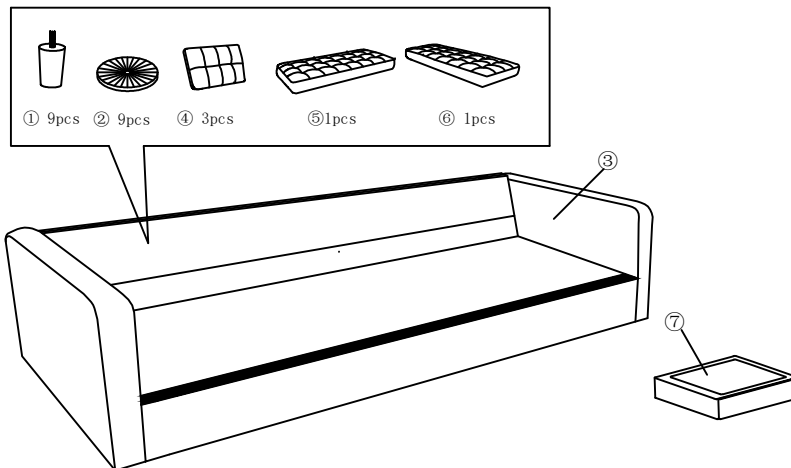
⑥ 1pcs



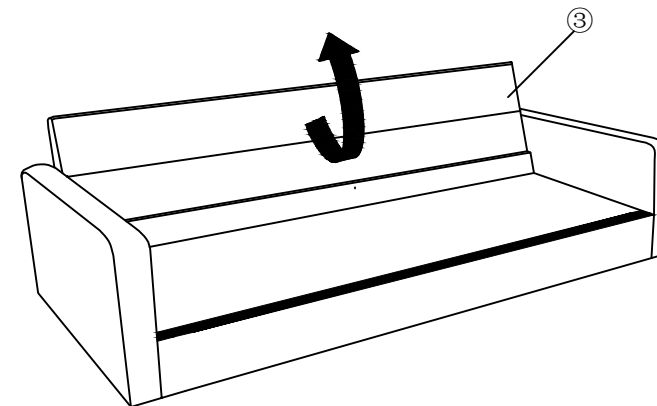
⑦ 1pcs

ASSEMBLY INSTRUCTIONS

Step 1

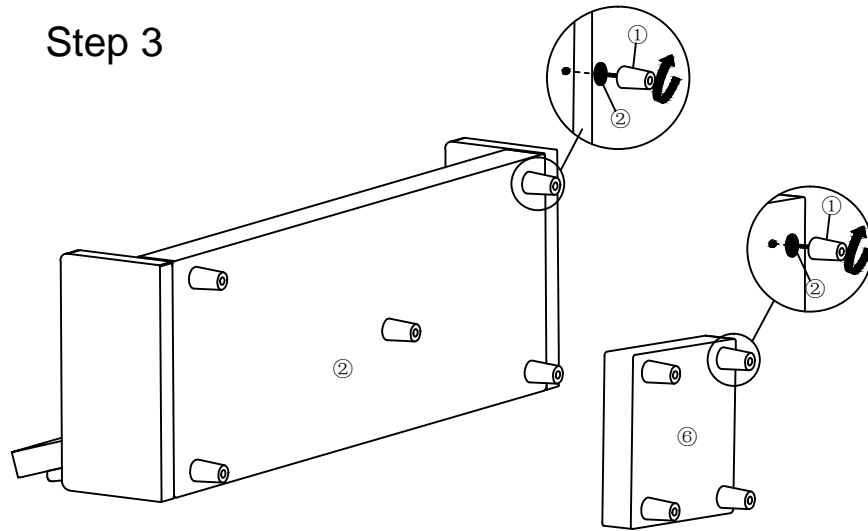


Step 2

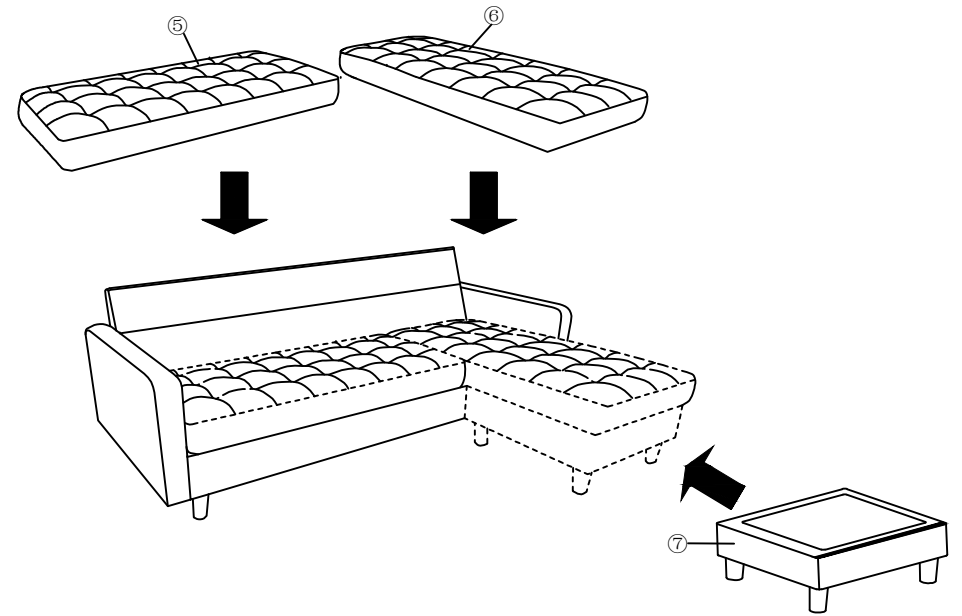


OPERATING YOUR UNIT

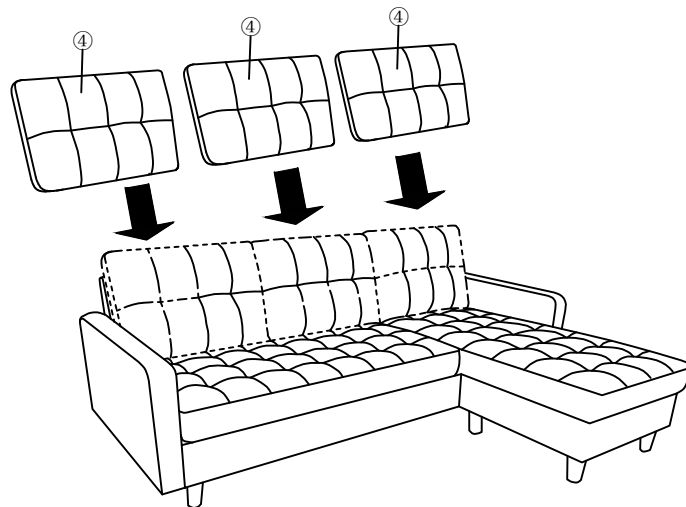
Step 3



Step 4



Step 5



Step 6

