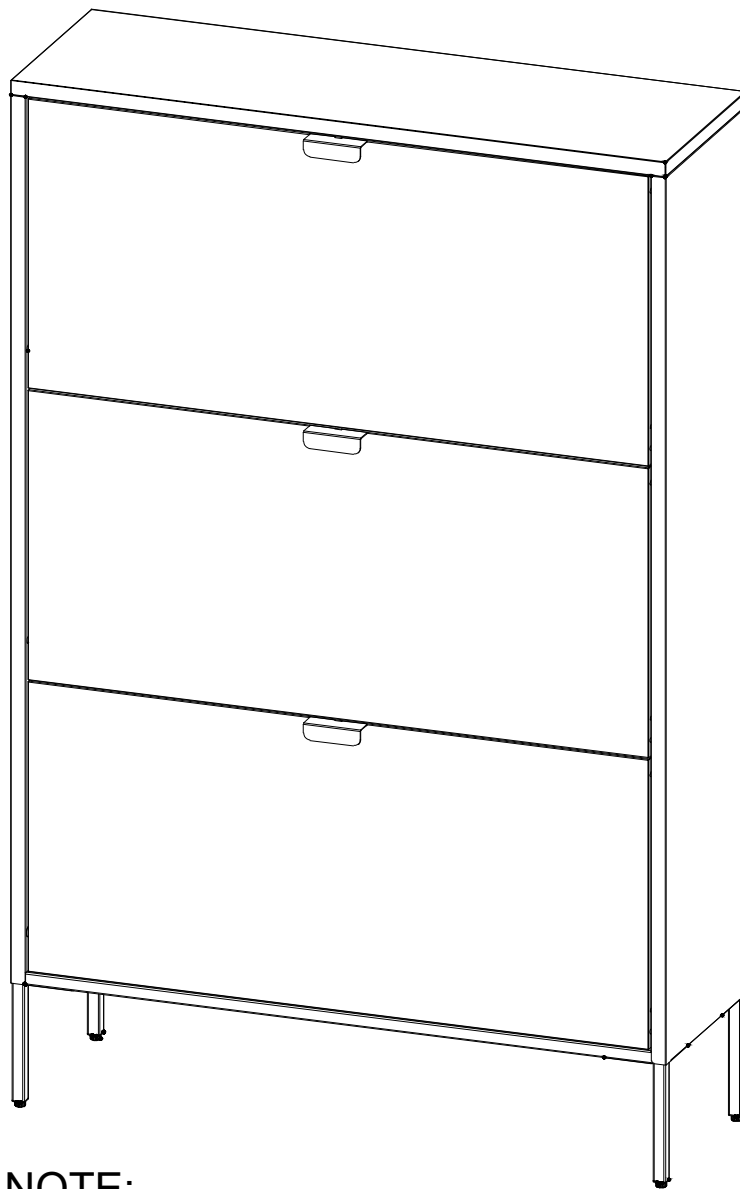


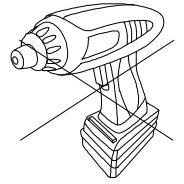
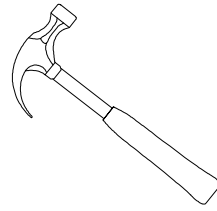
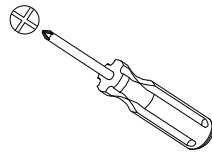
ASSEMBLY INSTRUCTION

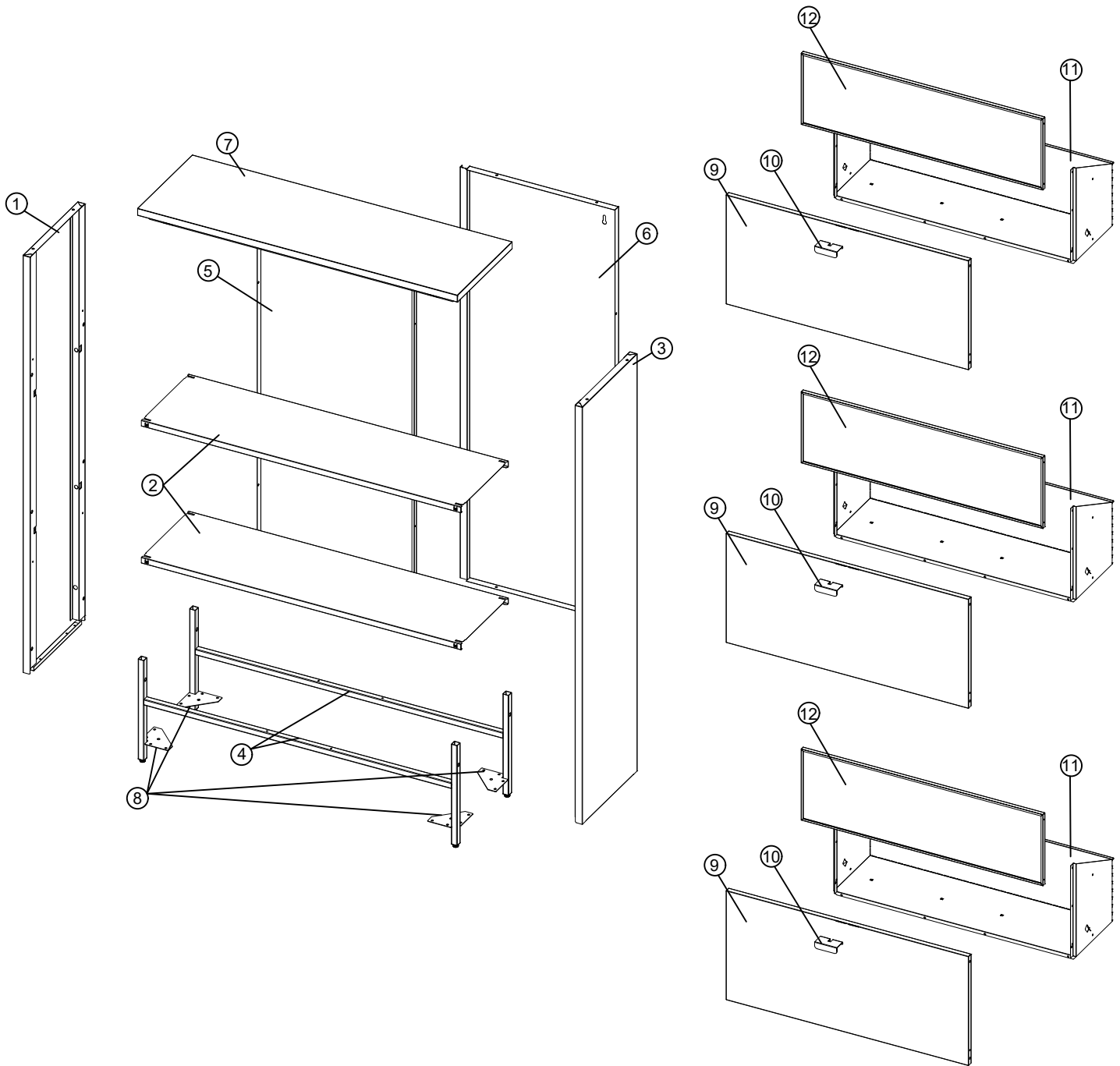
TRIPLA KENKÄKAAPPI, HIEKKA
Item No.: 191402



IMPORTANT NOTE:

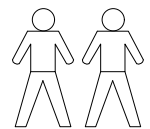
Do not tighten all screws/bolts until the furniture is completely assembled.



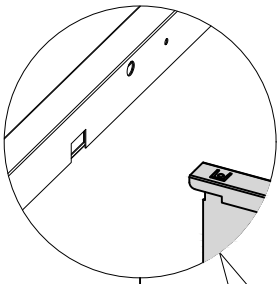


Box 1/1:

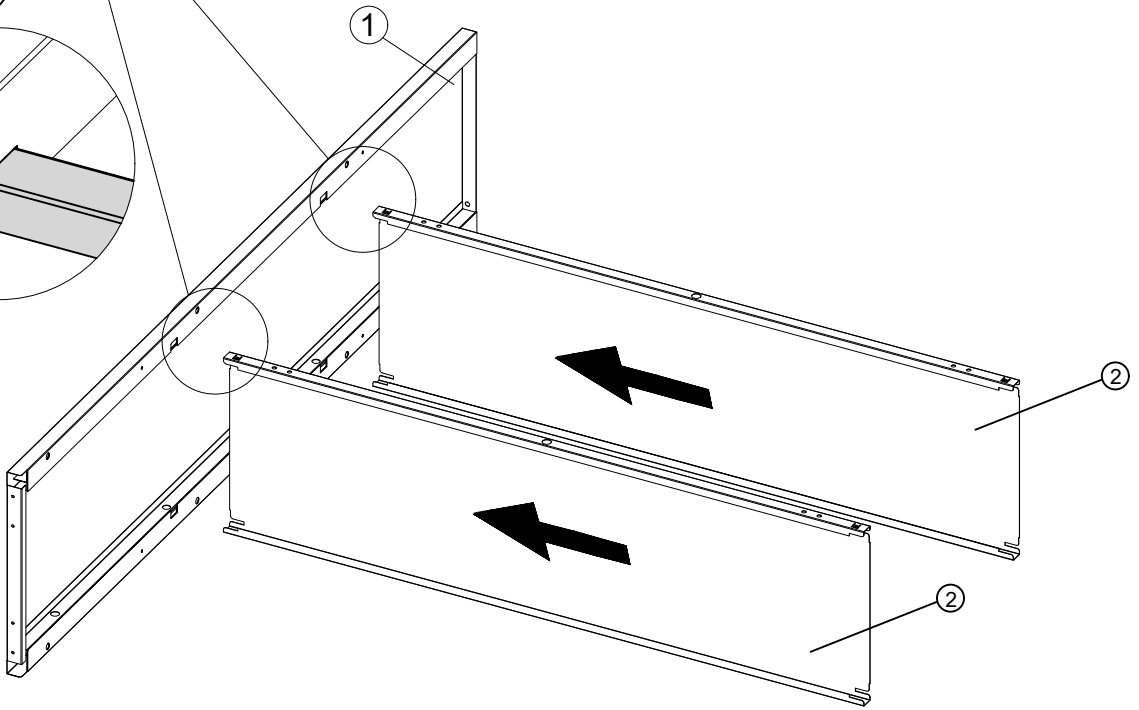
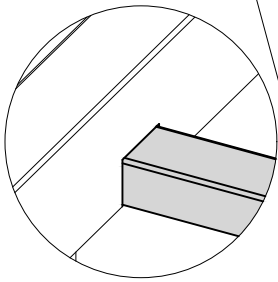
- | | | | | | | | | |
|---|---|---|---|----|----|----|---|----|
| ① | ③ | ⑤ | ⑥ | ⑦ | x1 | ② | ④ | x2 |
| ⑨ | ⑩ | ⑪ | ⑫ | x3 | ⑧ | x4 | | |



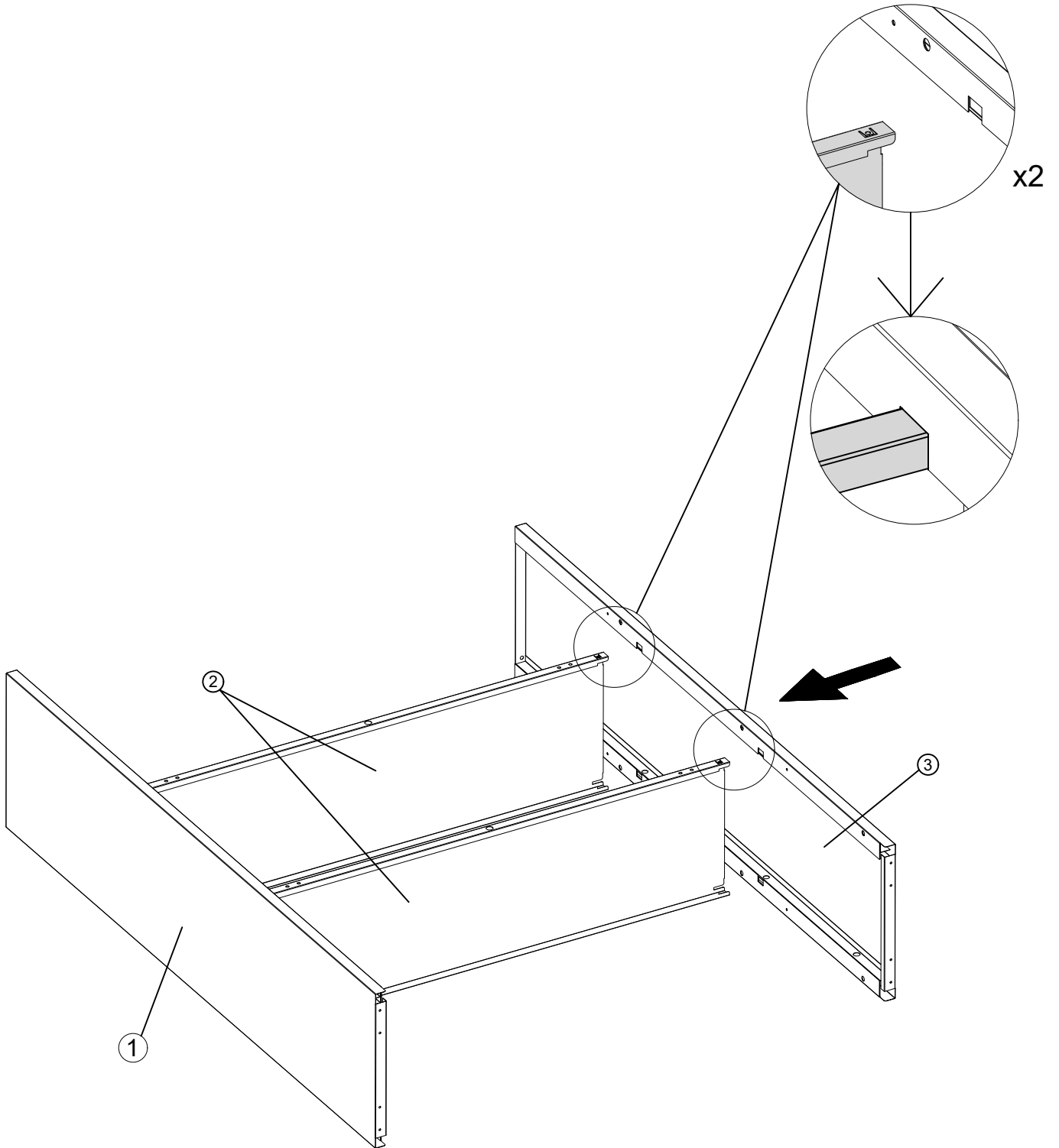
1



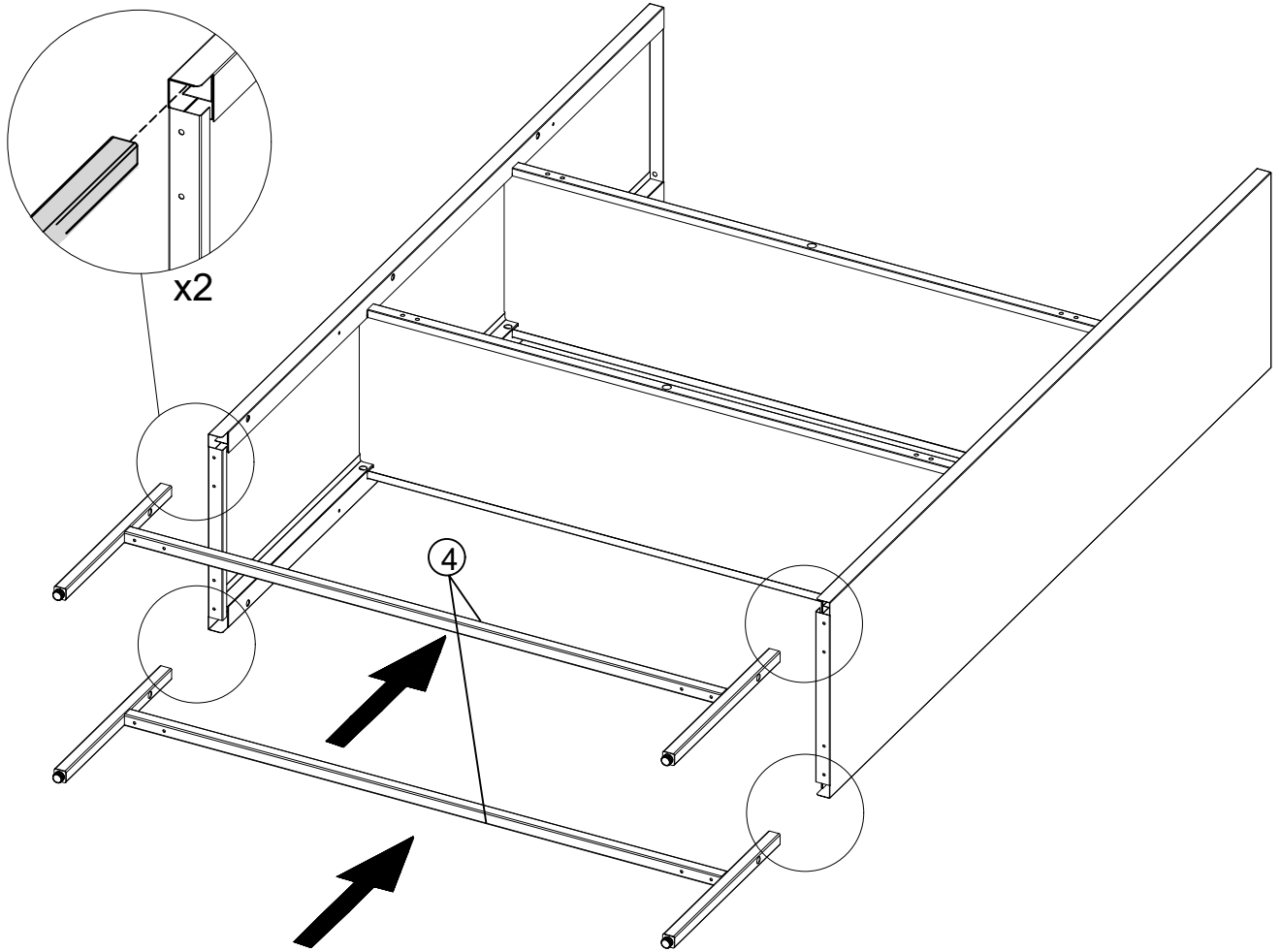
x2



2



3

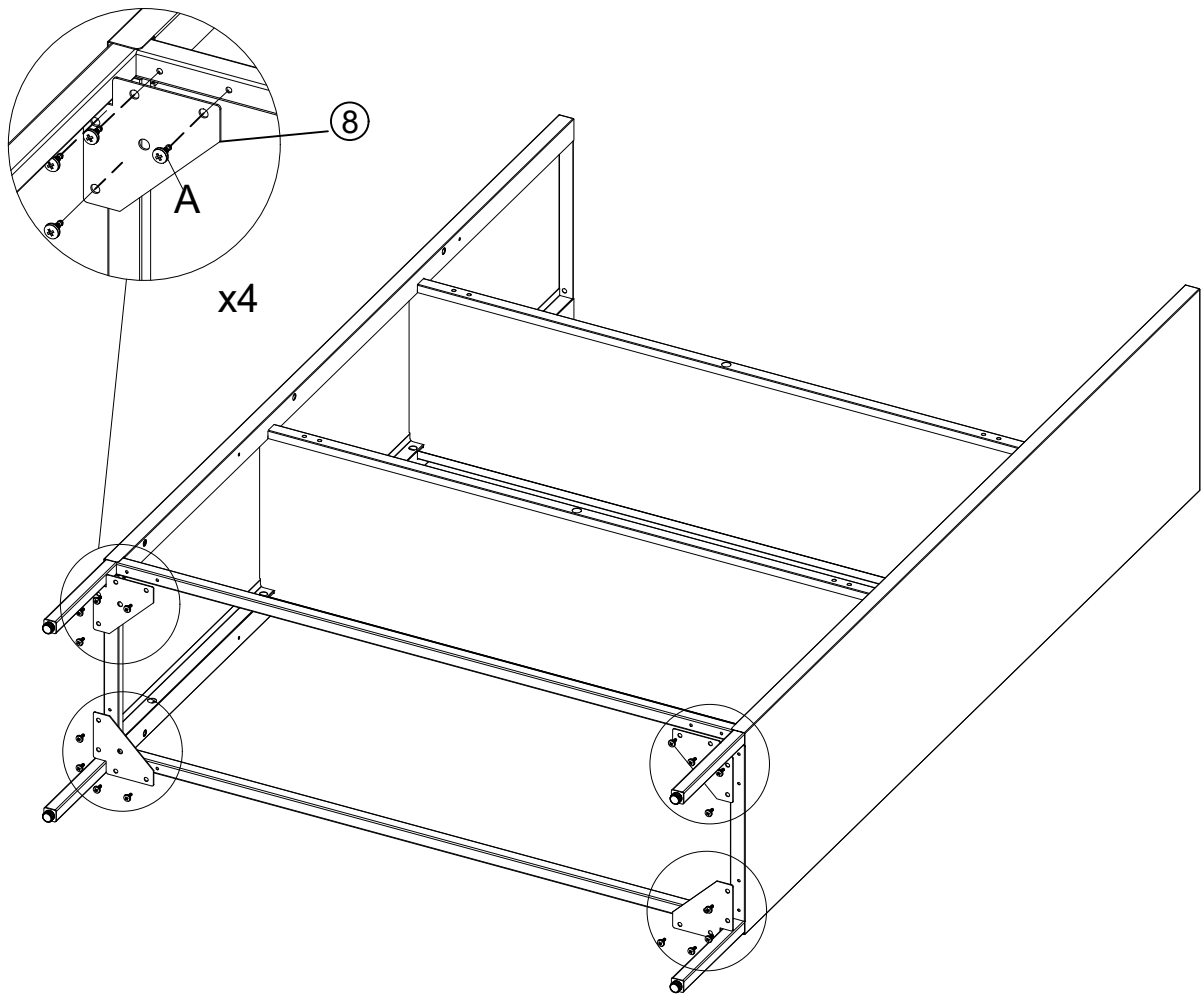


4

A x 16



M4x8mm

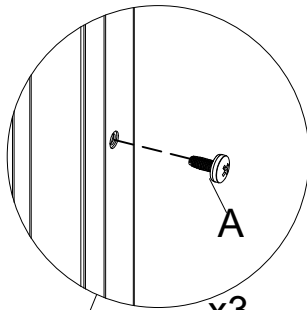
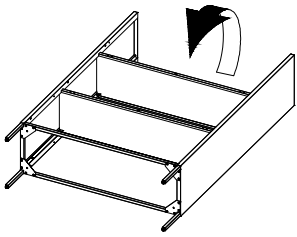


5

A x 3

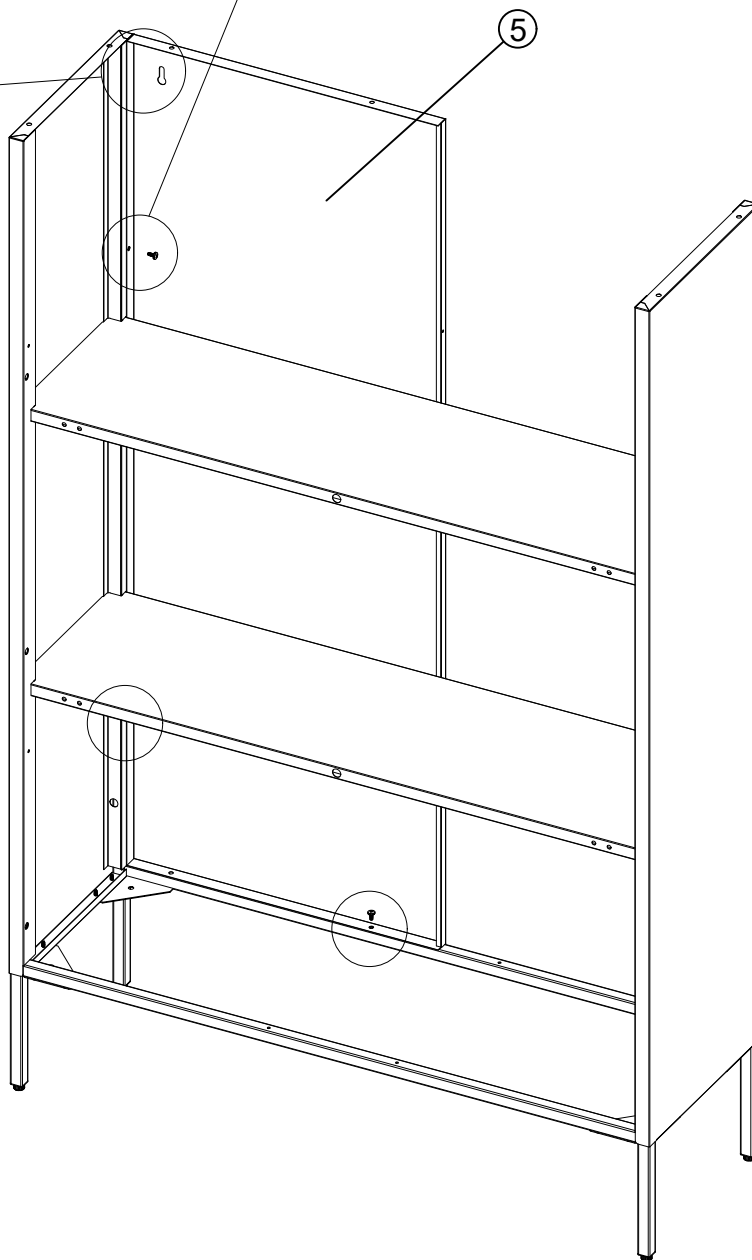
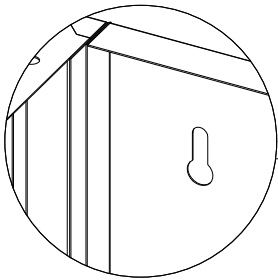


M4x8mm



A

x3

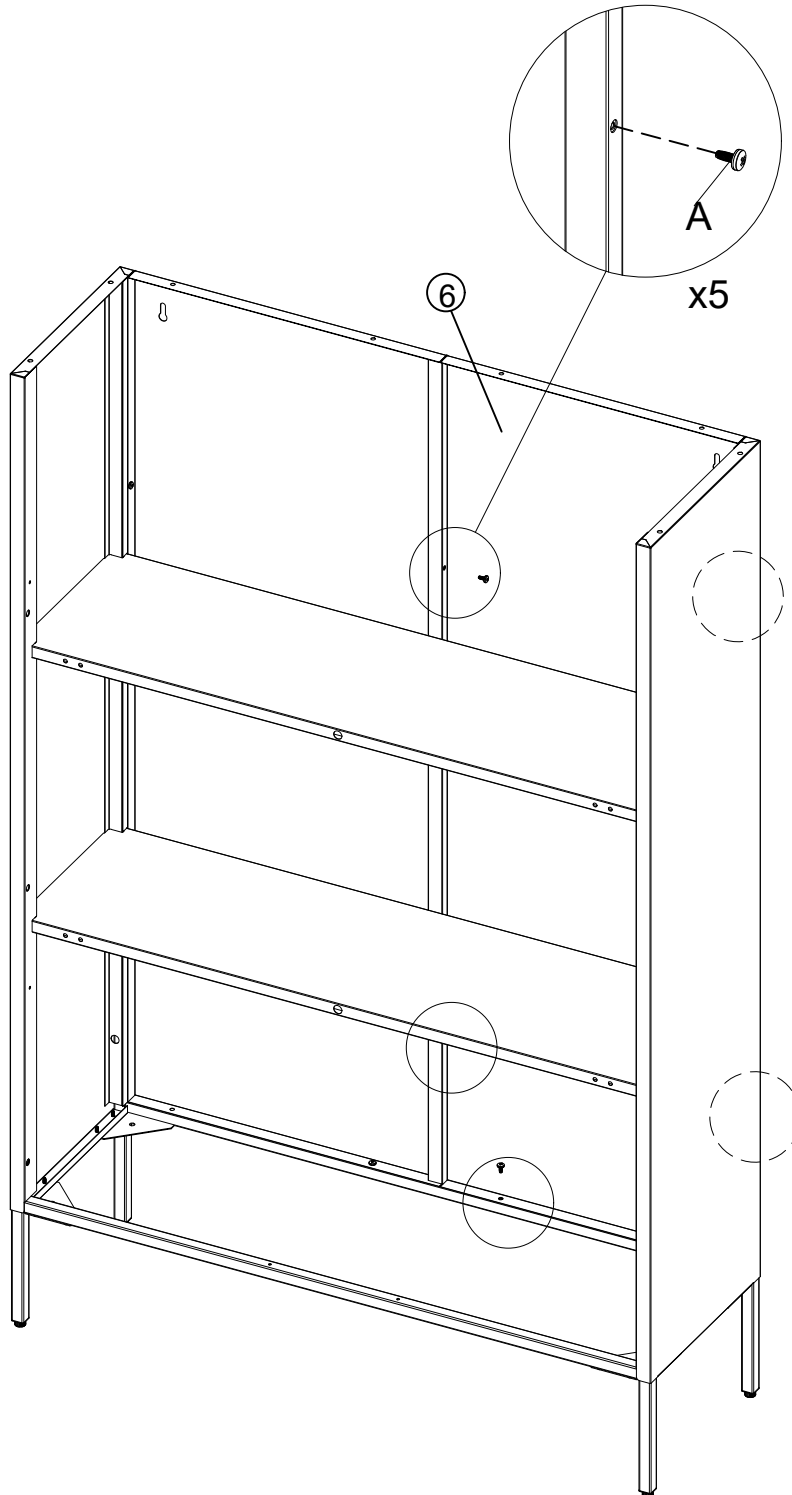


6

A x 5



M4x8mm

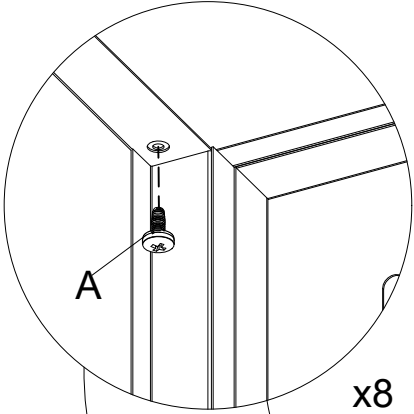


7

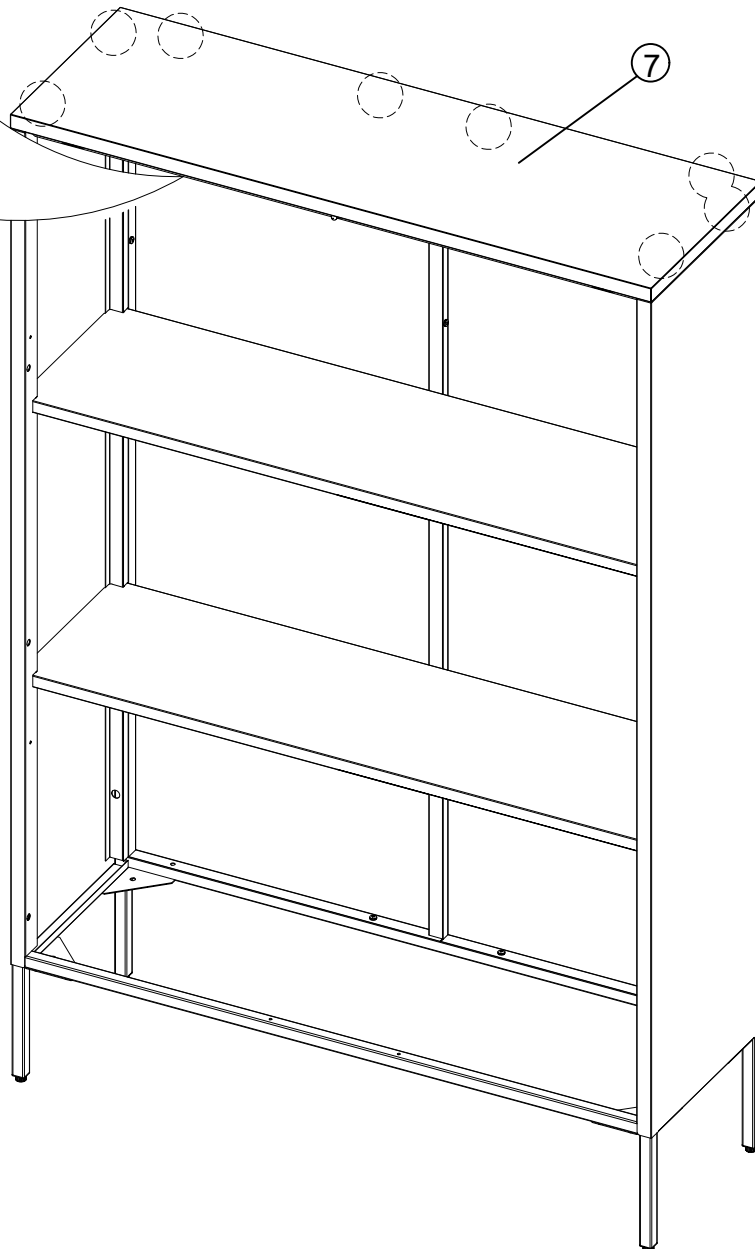
A x 8



M4x8mm

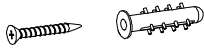


x8



9

C x 2

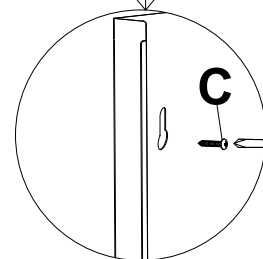
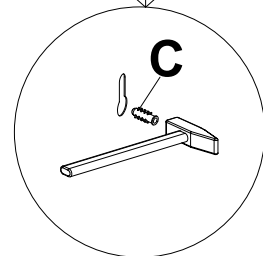
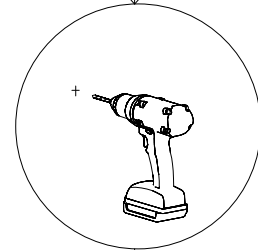
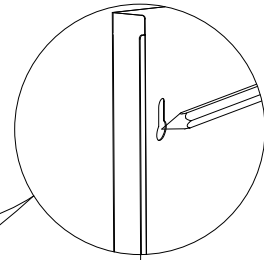
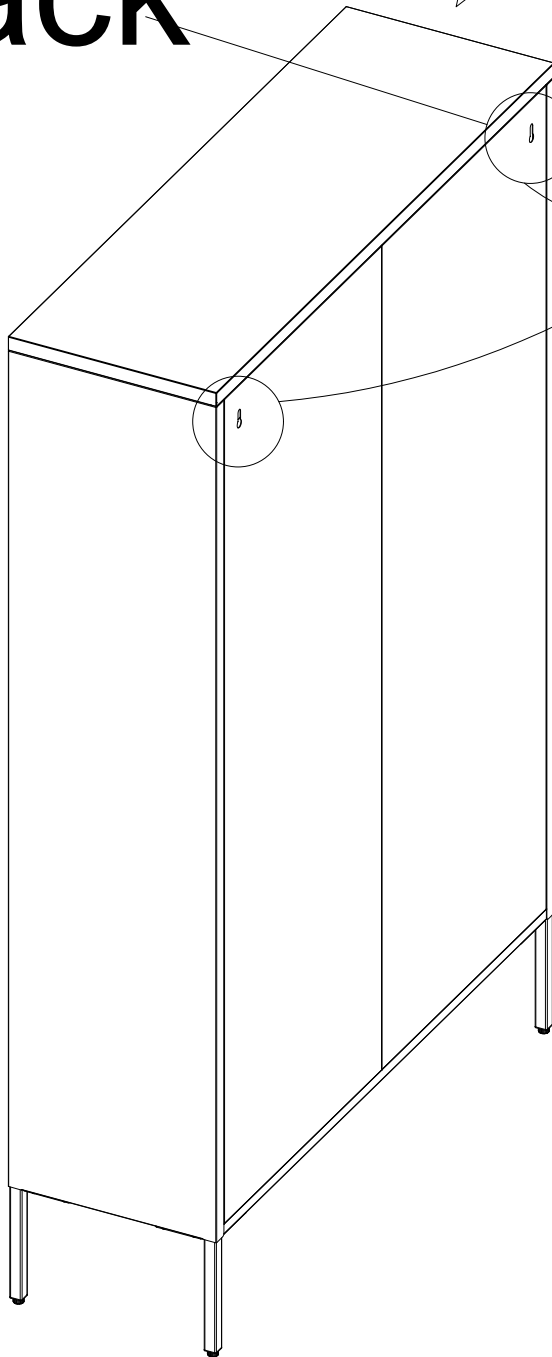


M5x35mm



This step is to connect the cabinet to the wall, if you do not need to ignore it

back

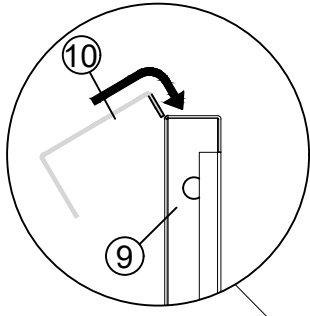


10

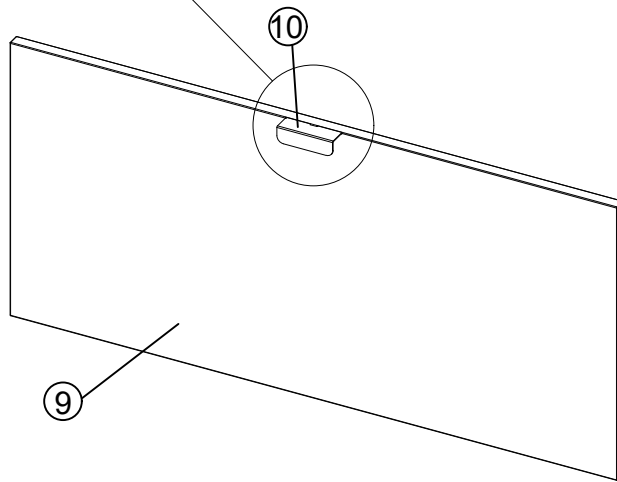
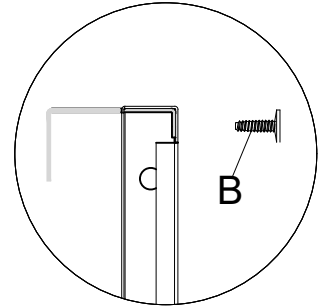
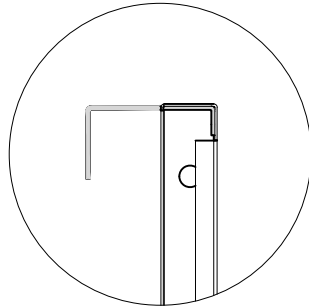
B × 6



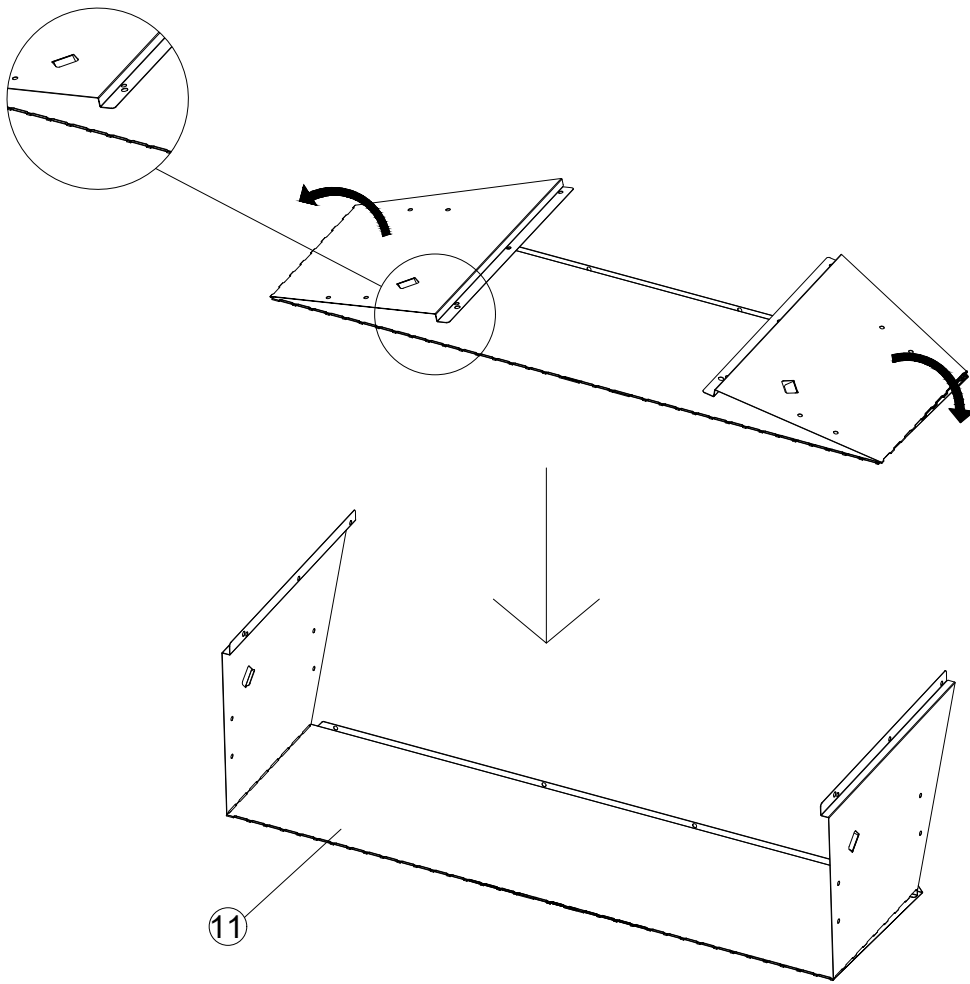
M3x8mm



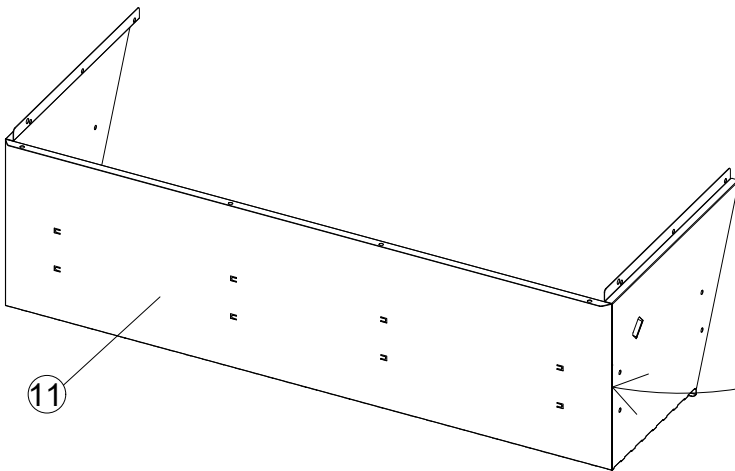
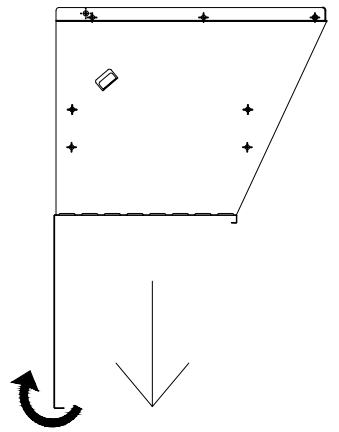
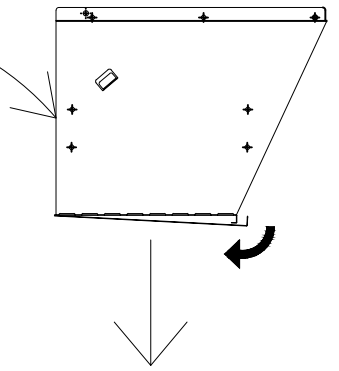
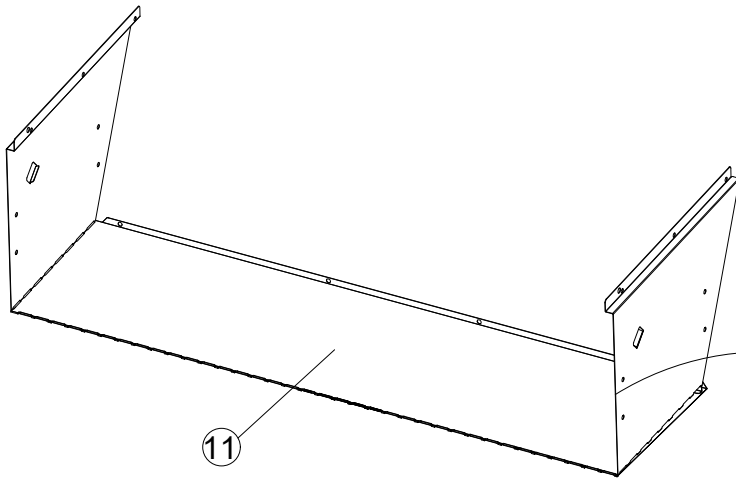
x3



11



12

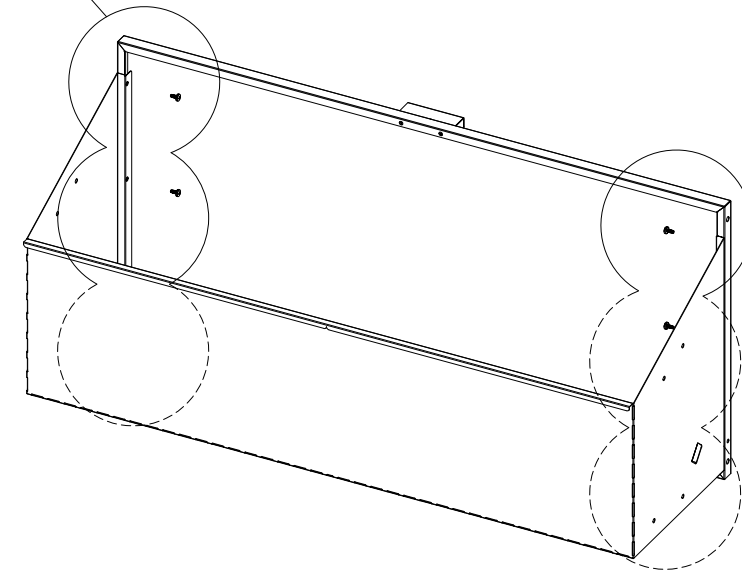
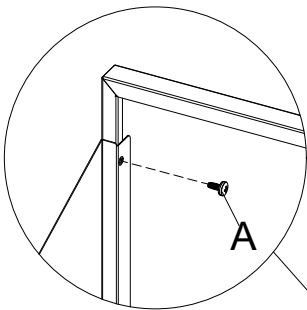
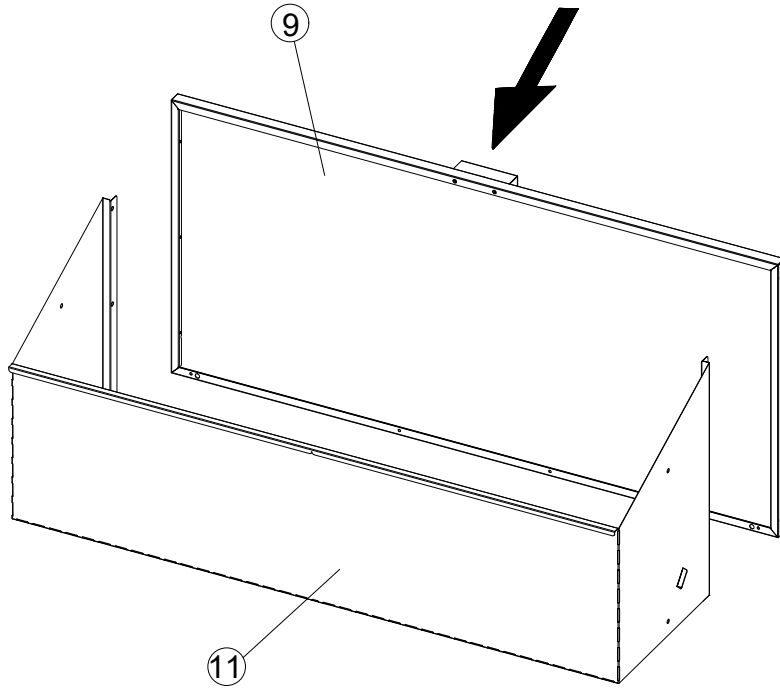
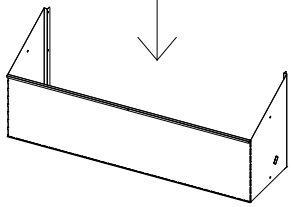
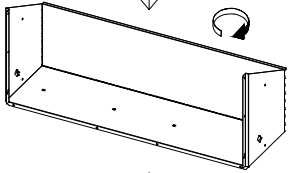
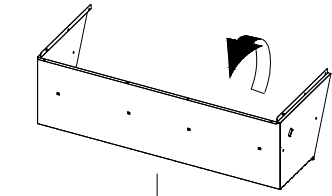


13

A x18



M4x8mm

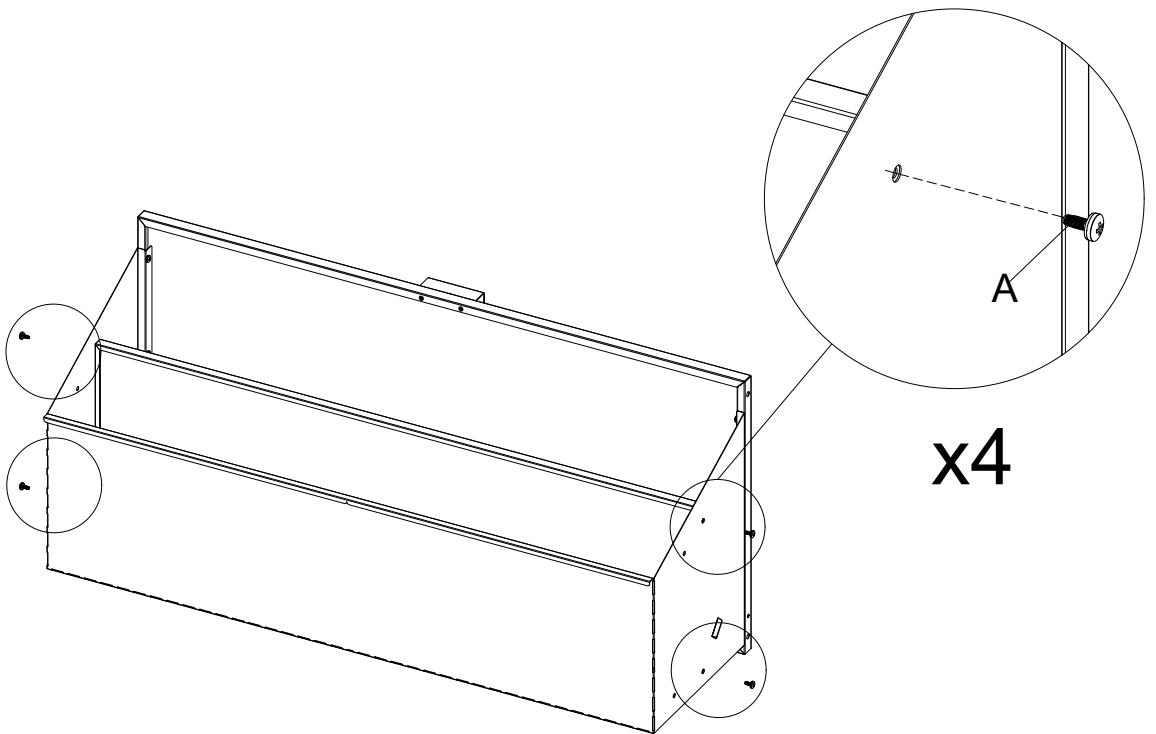
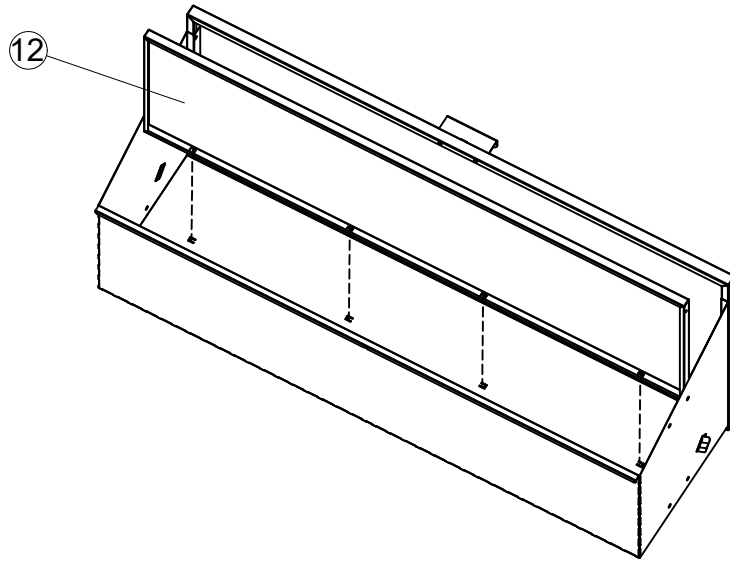


14

A x12



M4x8mm



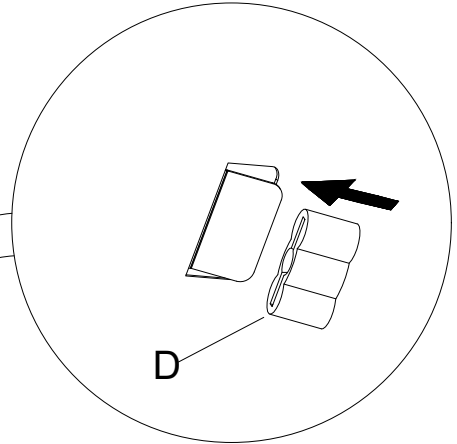
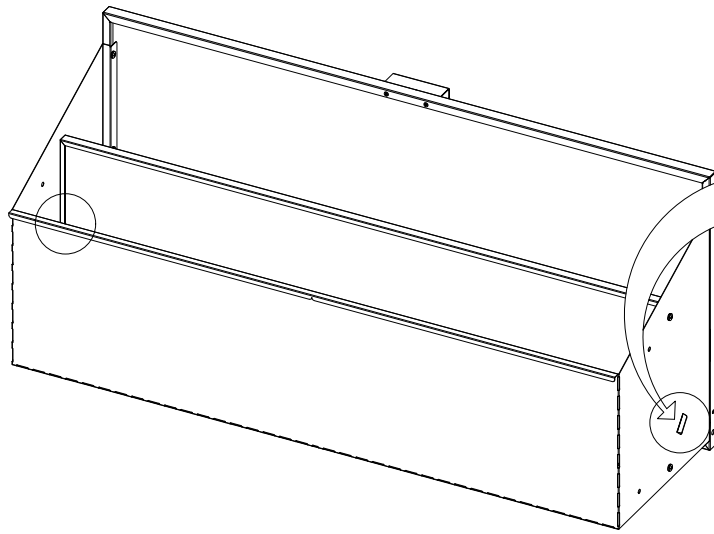
15

A x 12

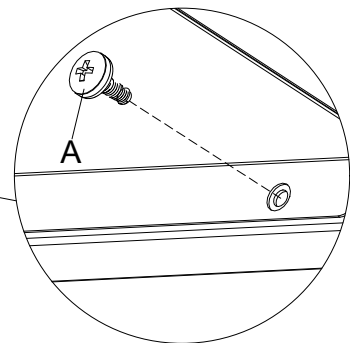
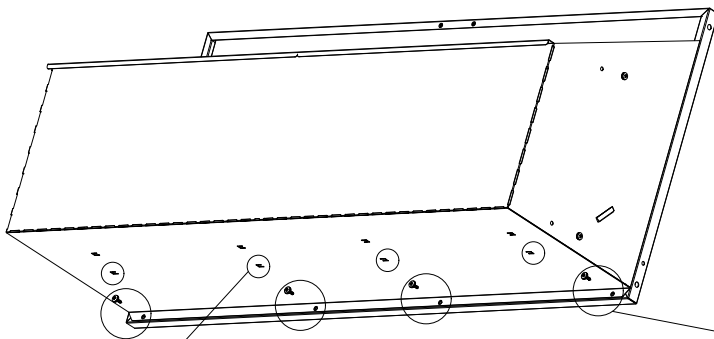


M4x8mm

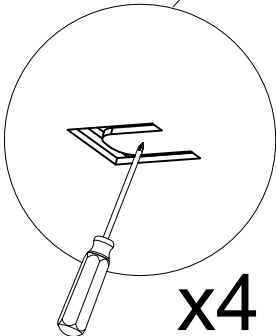
D x 6



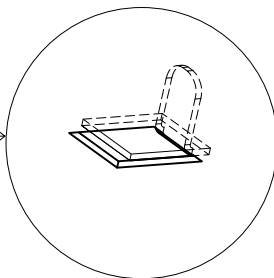
x2



x4



x4



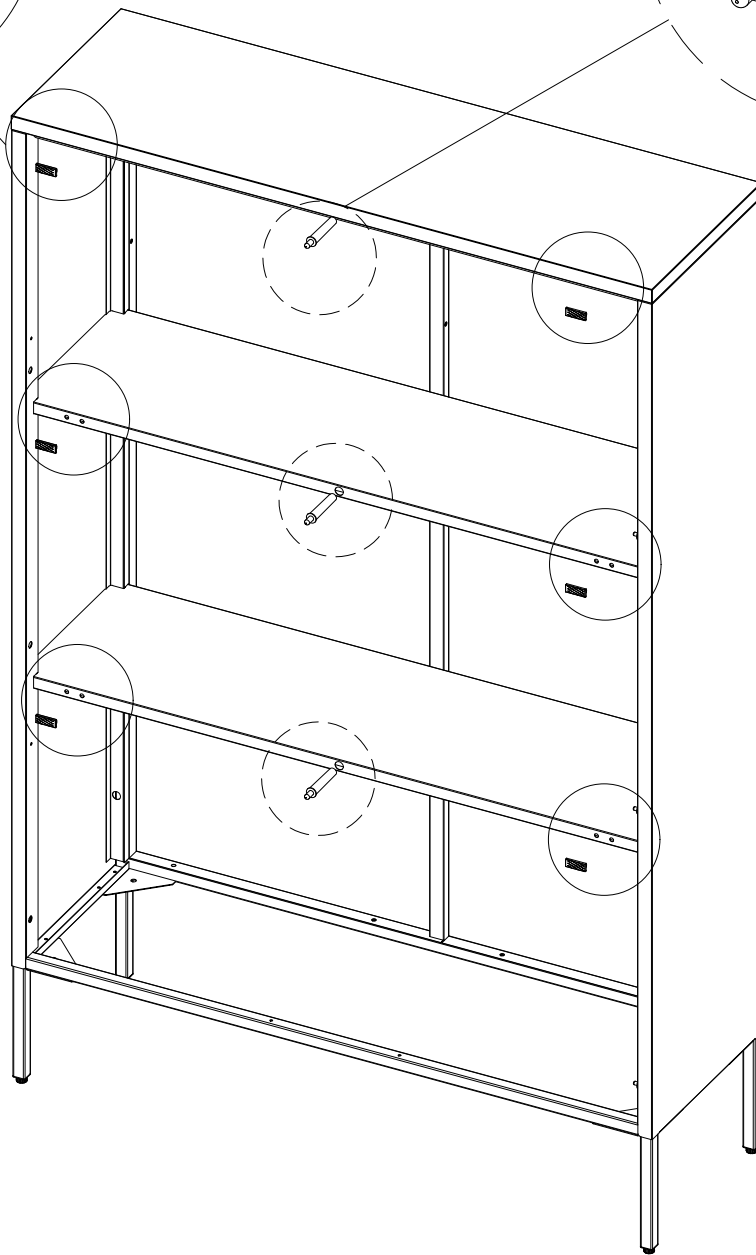
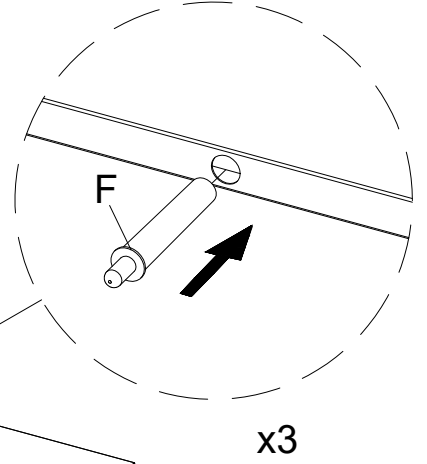
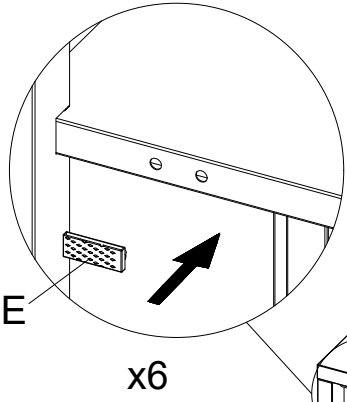
You have three drawers, please follow steps 10-15 to install the second and third drawer

16

F x 3

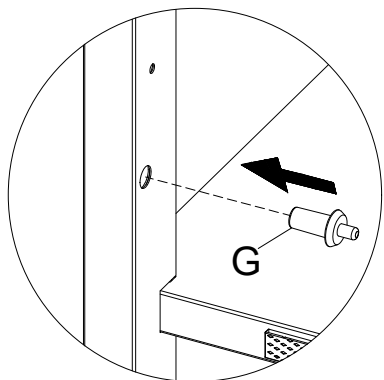


E x 6

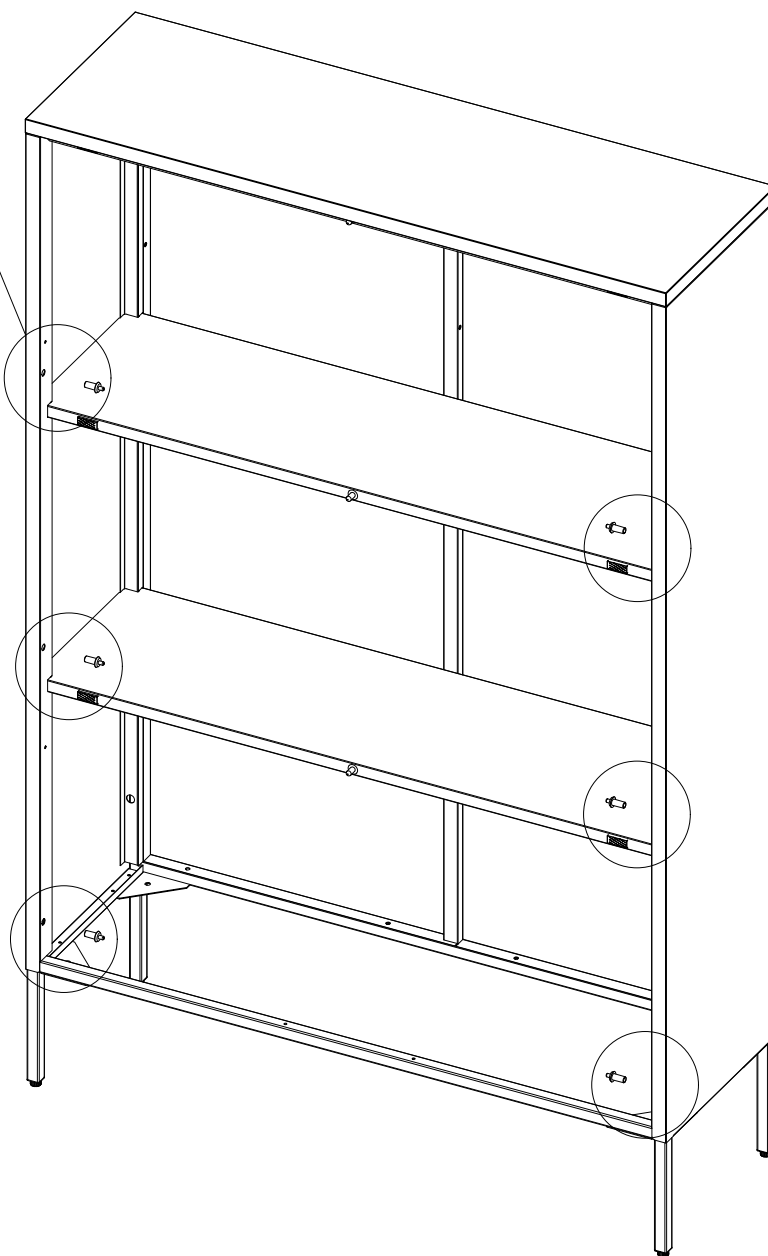


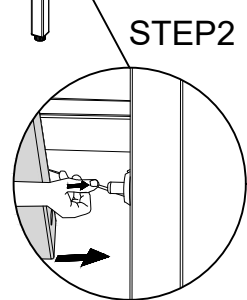
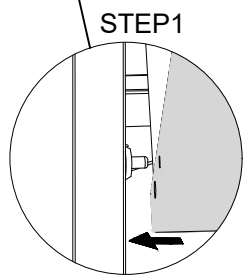
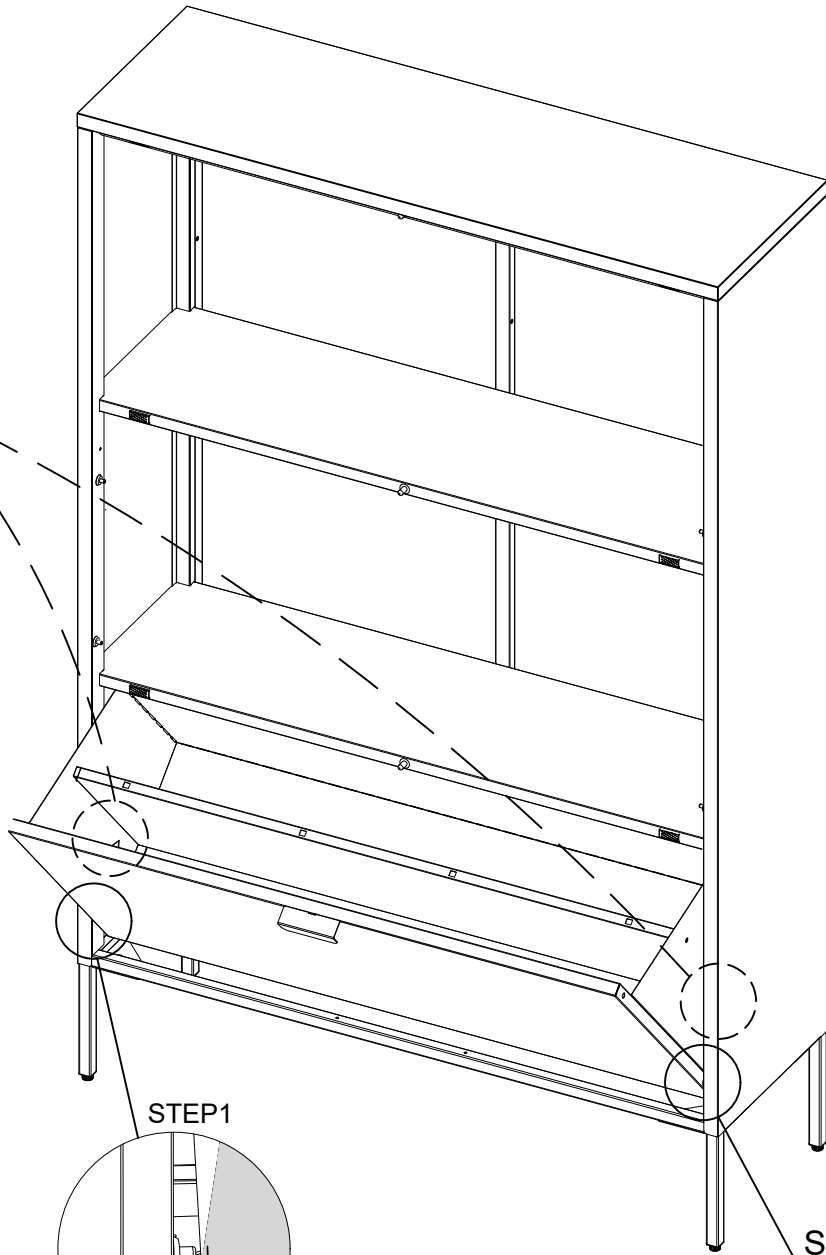
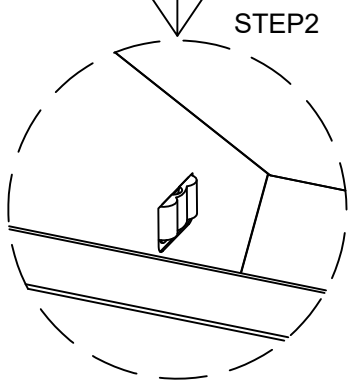
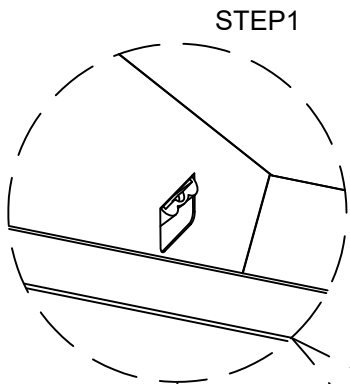
17

G x 6

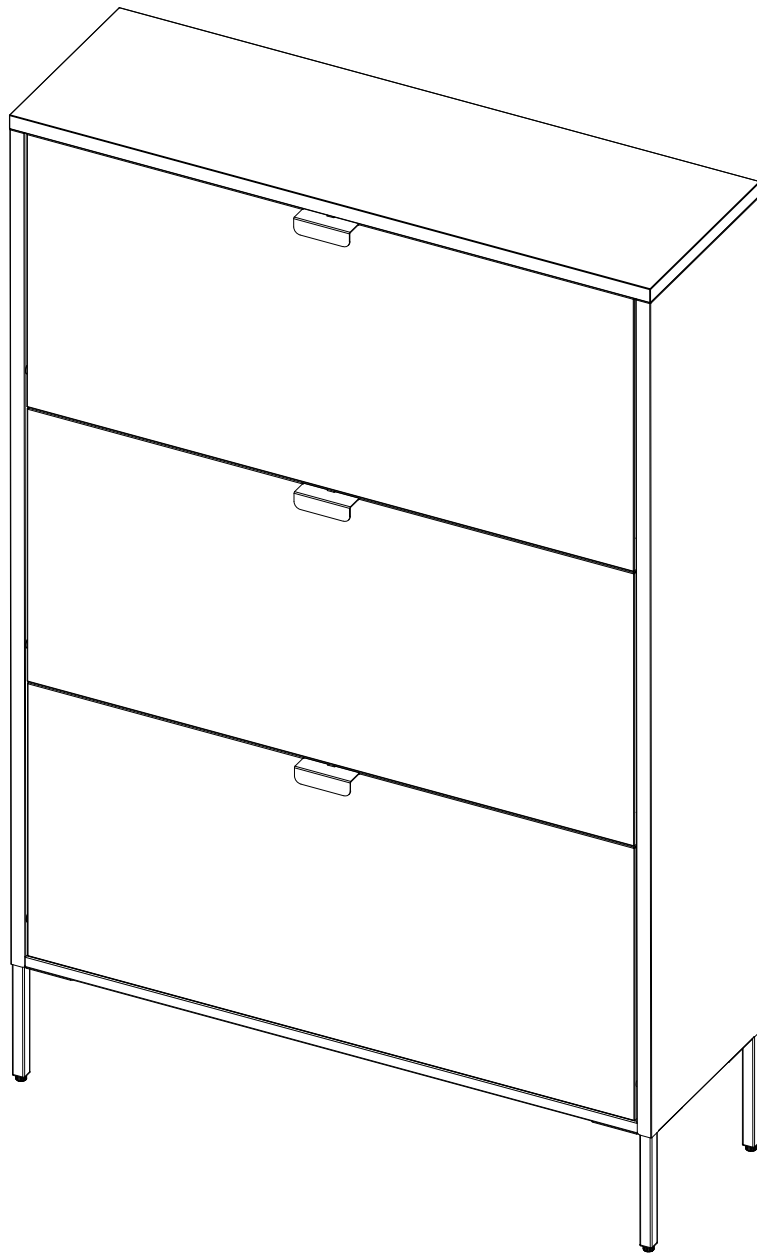


x6

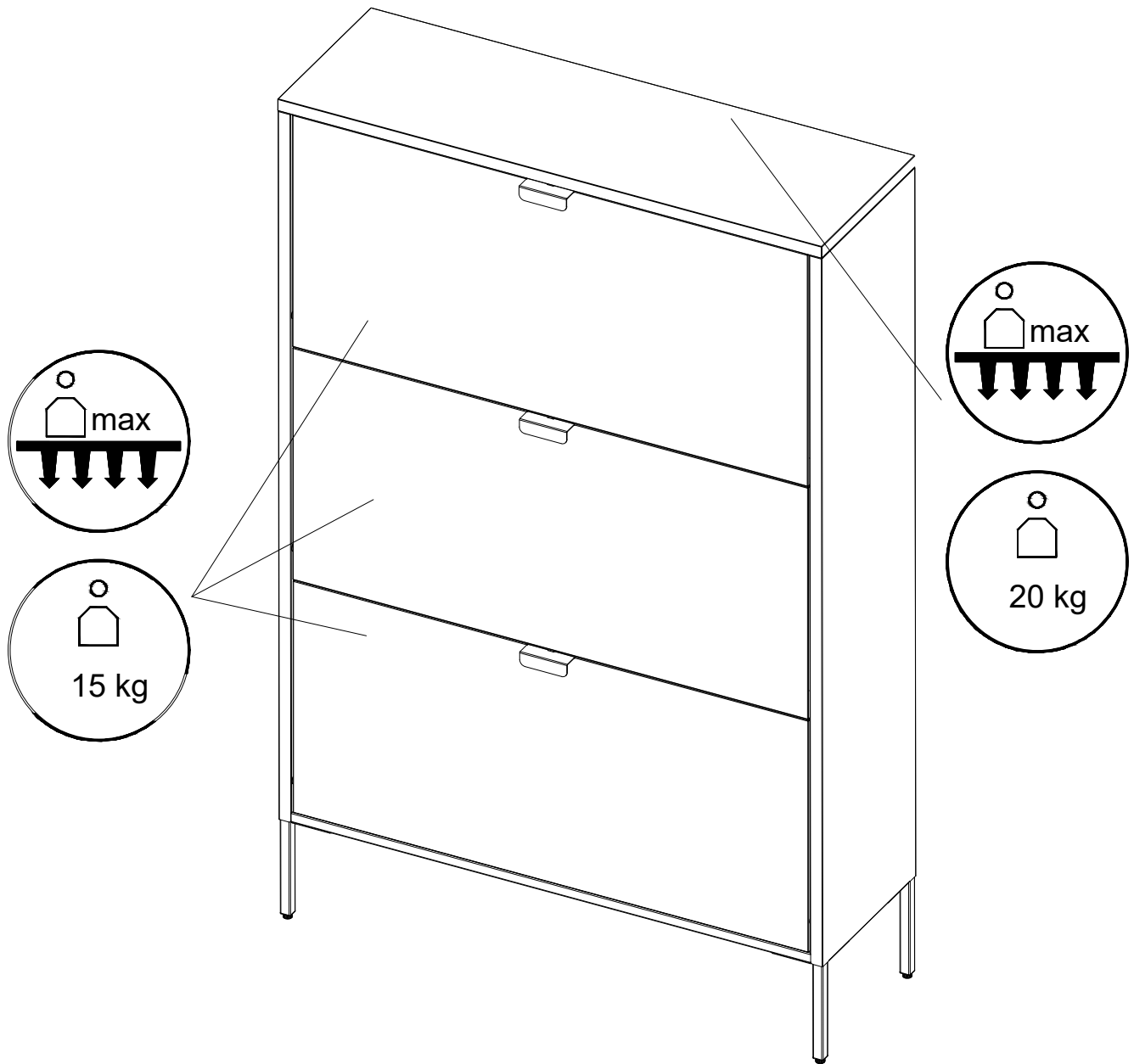




19



20



21

