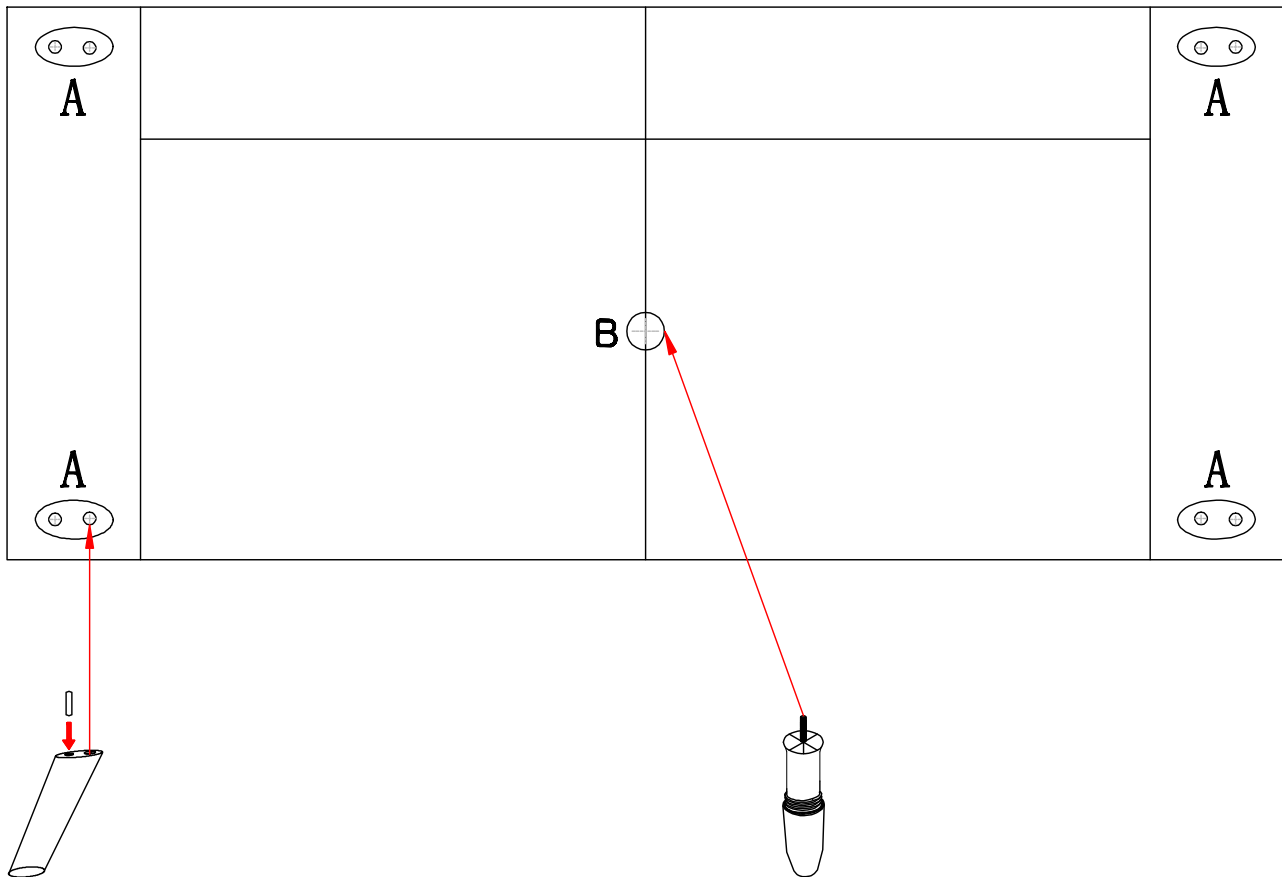






# 3807 Metal Feet Assembly Instruction

Thank you for purchasing this quality product. Be sure to check all packing materials carefully for small parts that may have come loose inside the carton during shipment.

**Cautions:** Please read all instructions carefully before starting the assembly process. The assistance of one or more people is recommended in order to prevent personal injury and insure the parts are not damaged.



NO.	Name	Parts List	Parts quantity(Unit:Pcs)			
			3S	2S	1S	
A	Wood feet	 H=145MM	4	4	4	
B	Adjustable Plastic Feet	 $\phi 50 \times H155MM$	1	1		
C	Allen Bolt with 6mm Allen Wrench	 $\phi 8 \times 50MM$	4	4	4	

The corner unit should not be moved after it has been assembled without first disassembling .